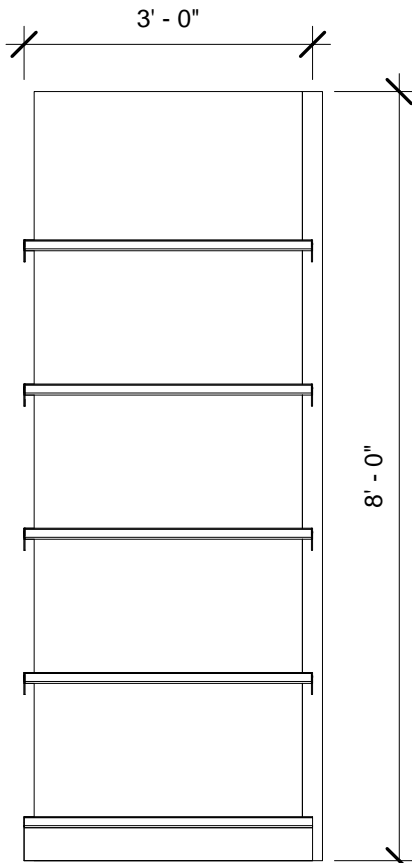
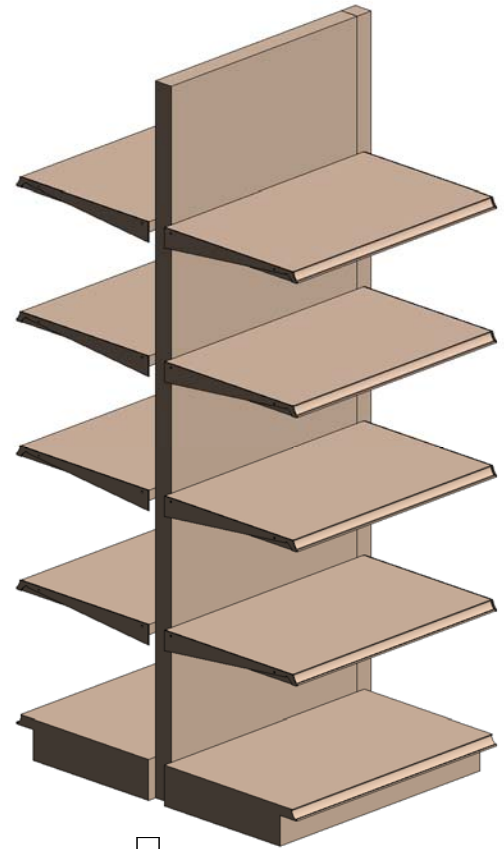


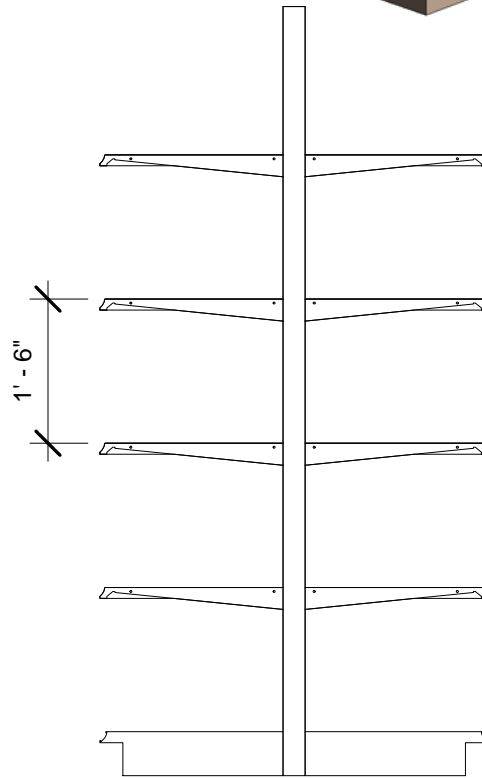
PLAN

3D PERSPECTIVE



FRONT ELEVATION

SIDE ELEVATION



Tube Line Add-On



www.madixinc.com

Madix Revit  
Family

Architectural View

Project number 12056-150

Date 6-19-12

Drawn by AS

Checked by ND

TL2

Scale 1/2" = 1'-0"