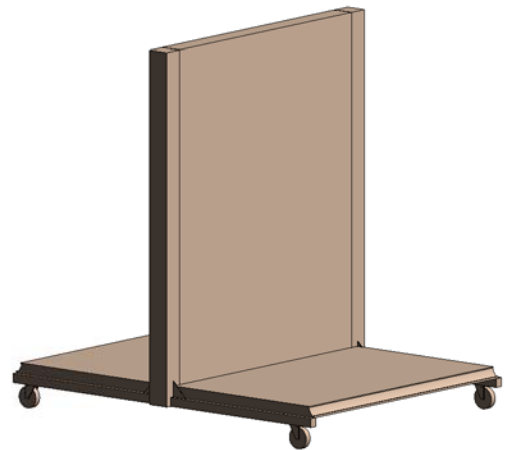
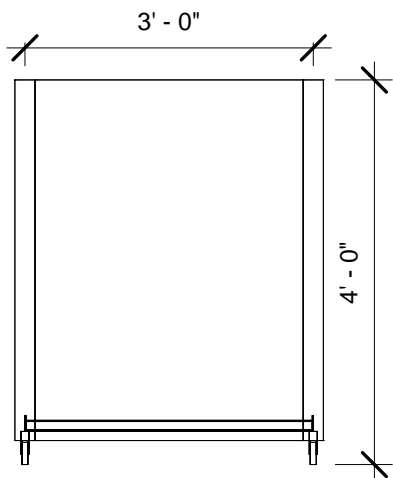


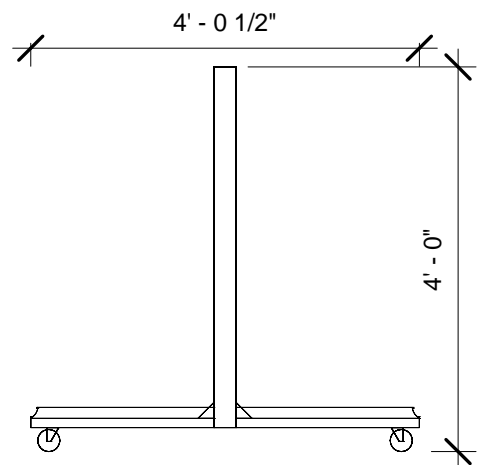
PLAN



3D PERSPECTIVE



FRONT ELEVATION



SIDE ELEVATION

T-Leg Mobile Gondola



www.madixinc.com

Madix Revit  
Family

Architectural View

Project number 12056-150

Date 7-9-12

Drawn by AS

Checked by ND

TG

Scale 1/2" = 1'-0"