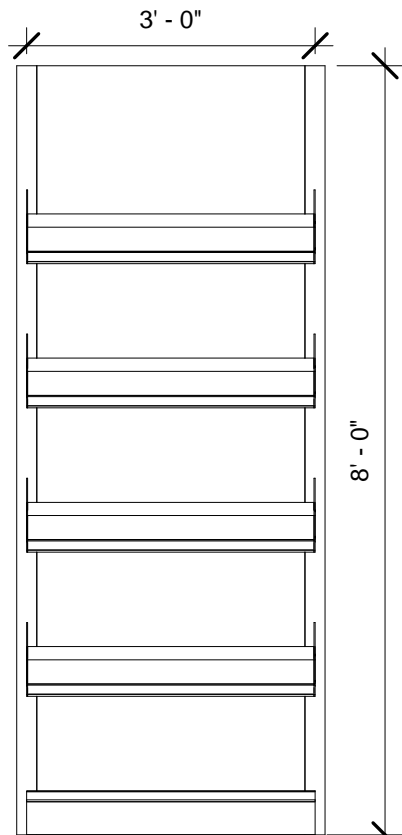
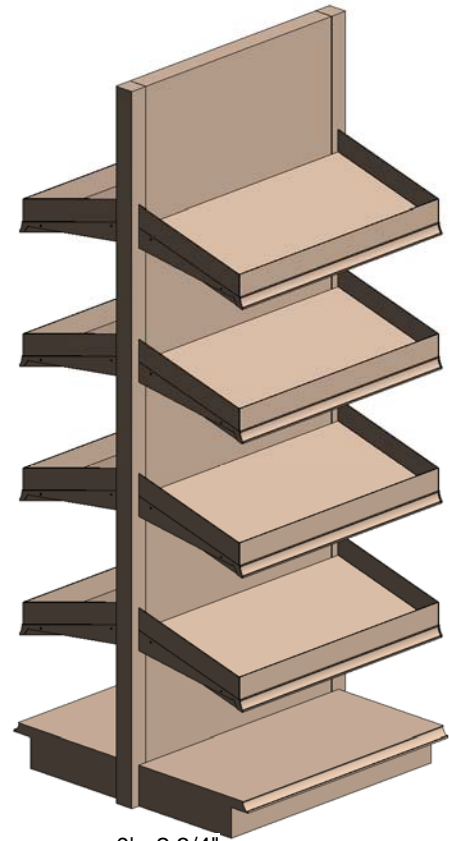


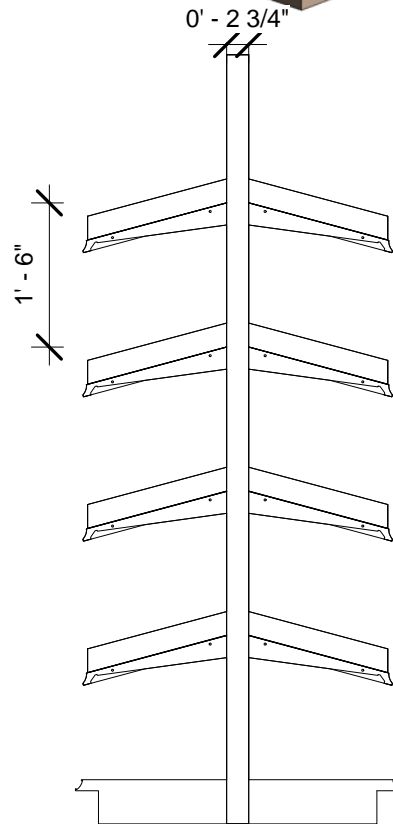
PLAN

3D PERSPECTIVE



FRONT ELEVATION

SIDE ELEVATION



Maxi Line Angled Shelves Starter



www.madixinc.com

Madix Revit  
Family

Architectural View

Project number 12056-150

Date 6-19-12

Drawn by AS

Checked by ND

ML5

Scale 1/2" = 1'-0"