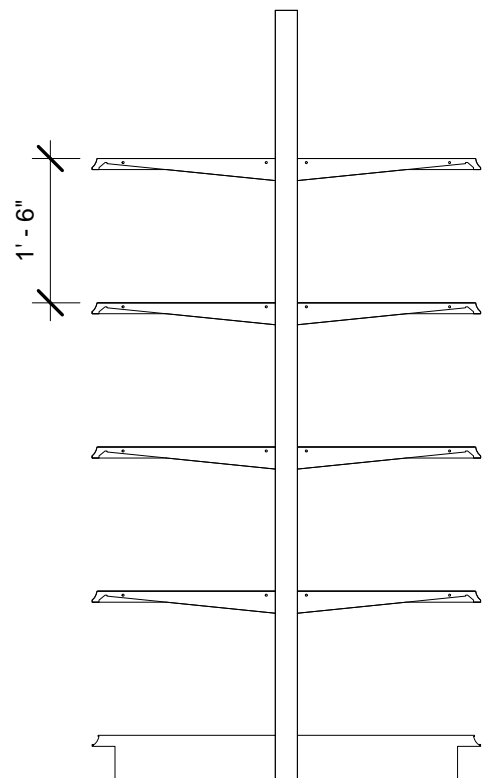
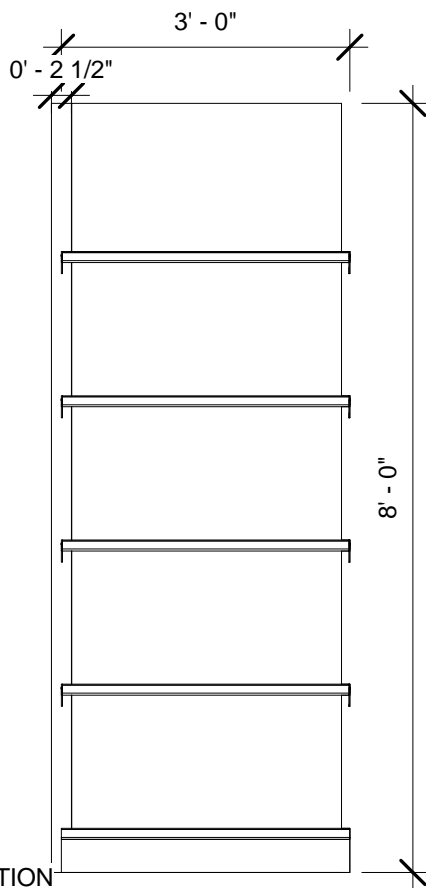


PLAN

3D PERSPECTIVE



FRONT ELEVATION

SIDE ELEVATION

Maxi Line Add-On



www.madixinc.com

Madix Revit Family

Architectural View

Project number	12056-150
Date	6/19/12
Drawn by	AS
Checked by	ND

ML2

Scale 1/2" = 1'-0"