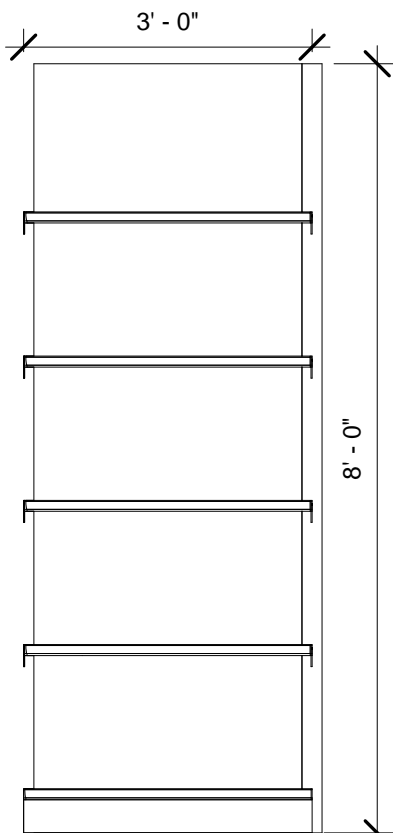
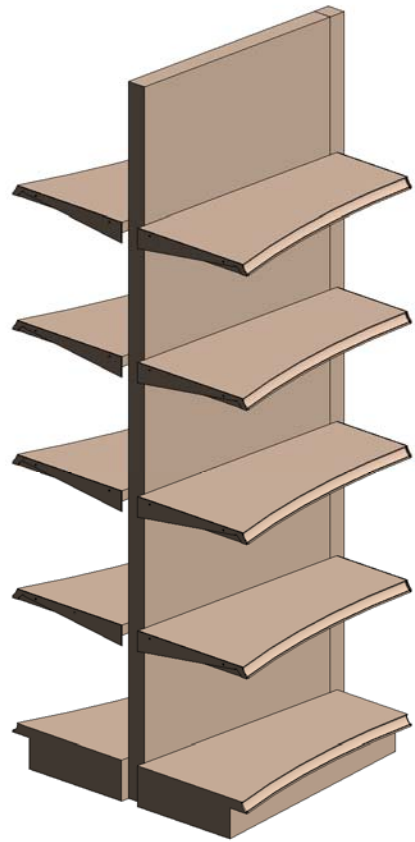


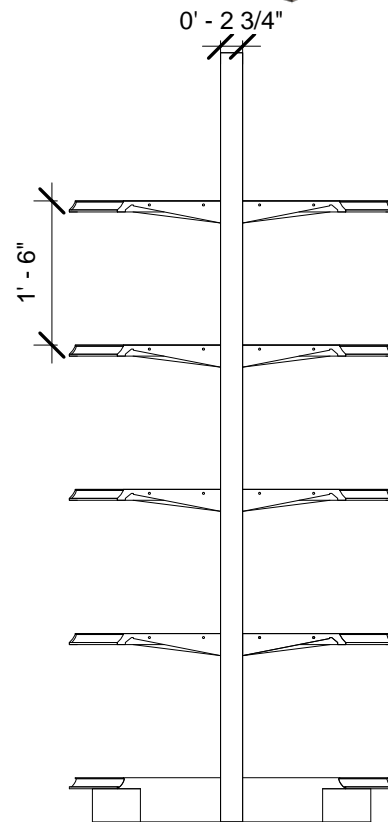
PLAN

3D PERSPECTIVE



FRONT ELEVATION

SIDE ELEVATION



Half Radius Concave Big to Small



www.madixinc.com

Madix Revit
Family

Architectural View

Project number 12056-150

Date 6-19-12

Drawn by AS

Checked by ND

ML14

Scale 1/2" = 1'-0"