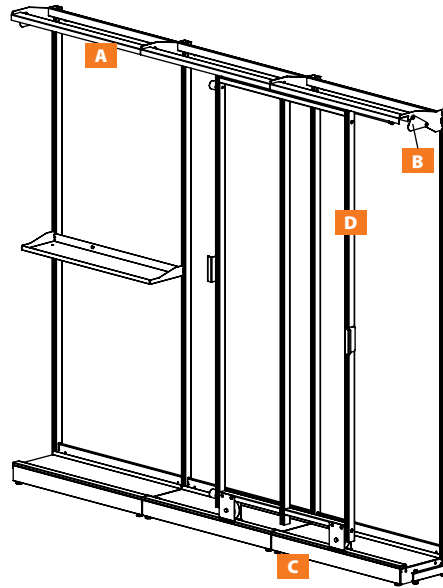


Pharmacy Rolling Frame

- Allows maximum usage of floor space, increasing storage capacity from 60-90% on wall sections
- Mounts to standard tubular pharmacy system
- Uses standard tubular pharmacy 16" (406 mm) or 32" (813 mm) wide shelves
- Optional cushioning piston provides controlled stop
- Easy to install

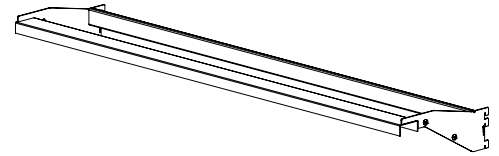


A Pharmacy Rolling Frame Top Channel

- Mounts in standard pharmacy uprights

TRXRT08(NW)

TRXRT Tube Line Pharmacy Rolling Frame Top Channel
 08 Nominal Depth 8" (203 mm)
 NW Nominal Width 32" or 48" (813 mm or 1219 mm)

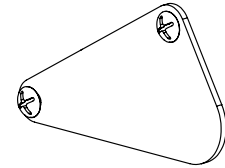


B Pharmacy Rolling Frame Frame Stop

- Used only when ordering cushioning cylinder

TRXRFS

TRXRFS Tube Line Pharmacy Rolling Frame Stop

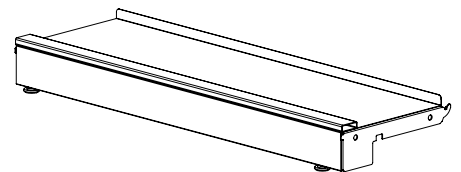


C Pharmacy Rolling Frame Base Deck

- Replaces Standard Base Shelf

TRXRBD08(NW)

TRXRBD Tube Line Pharmacy Rolling Base Deck
 08 Nominal Depth 8" (203 mm)
 NW Nominal Width 32" or 48" (813 mm or 1219 mm)

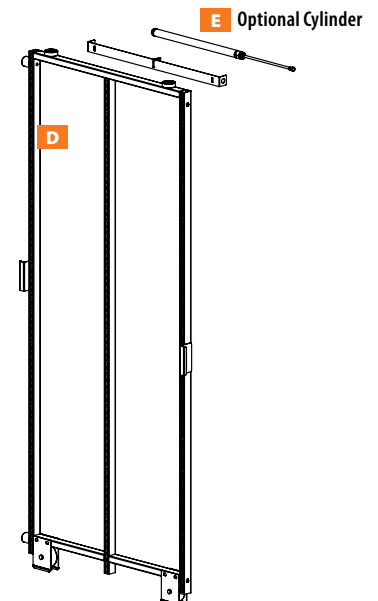


D Pharmacy Rolling Frame

- Rolls smoothly and requires little effort

TRX3RF32(NH)

TRXRF Tube Line Pharmacy Rolling Frame
 32 Nominal Width 32" (813 mm)
 NH Nominal Height 78", 84", 90" or 96" (1981 mm, 2134 mm, 2286 mm or 1219 mm)



E Pharmacy Rolling Frame Cylinder Shelf

- Provides a controlled stop that prevents product from being displaced

TRX3RCS32(OPT)

TRX3R Tube Line Pharmacy Rolling Frame
 CS Cylinder Shelf
 32 Nominal Width 32" (813 mm)
 OPT Blank=No Cylinder
 C=Cylinder