

Feature Aisle Display

- Efficiently display merchandise in main aisles or high traffic areas of stores
- Perfect for both small and large sales floors
- Lifts sales by displaying merchandise on all four sides
- Colorful and completely customizable; Utilize the shelves alone, or combine with pegboard for displaying pegged merchandise
- When ordering optional Pallet Jack Base, do not order Base Shoes, Kickplates, and Metal End Flats
- Load capacity 800 lbs in all sizes, based on evenly distributed static loading and 500 rolling (DO NOT move fully loaded)



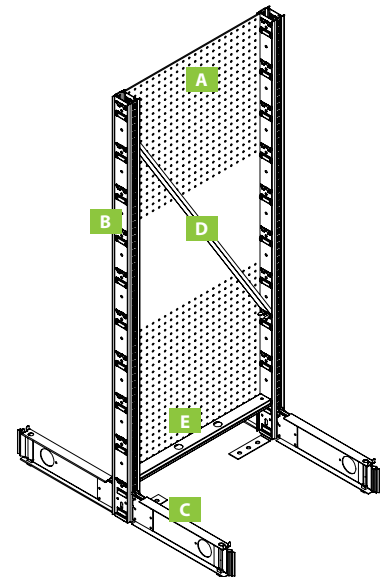
2' x 3' Unit Parts List

Part Number	Part Number	Quantity	Notes
A	B(TYPE)-2(NH) Back Panel	2	18" x 60"
B	BU-(AH) Basic Upright	2	36" to 96" in 6" increments
C	BSSIL-(ND) Base Shoe, Straight-In Locking	4	12" only
D	BUB-1836 Basic Upright Brace	1	18" x 36"
E	SL-18 Lower Spanner	1	18" only
F	VC-(NH) Metal Upright End Cover	2	36" to 96" in 6" increments
G	UCC Upright Clear Cap	2	
H	STL-18 Top Spanner	1	18" only
I	SBS-1812 Standard Base Shelf	2	18" x 12"
J	KP-18-5-SB Kickplate	2	18" only
K*	PAPMEF10-1212-55 Metal End Flat	2	10" x 24"
L	WAUSN3612 Wrap Around Upper Shelf, Notched	8	36" x 12"

Add Caster Parts List

M	MGED121212 Mobile Gondola End Deck	2	
N	OBS-18 Open Back Stiffener	1	18"
O	MGPCCR-18 Caster Runner	2	18"
P	SCS-18 Seismic Tie Bar	1	18"

*When ordering Casters DO NOT order Metal End Flats (PAPMEF10-1212-55)



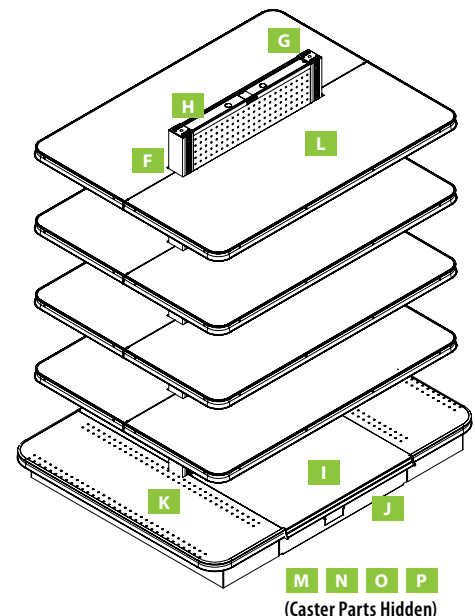
3' x 4' Unit Parts List

Part Number	Part Number	Quantity	Notes
A	B(TYPE)-2(NH) Back Panel	2	2' only
B	BU-(AH) Basic Upright	2	36" to 96" in 6" increments
C	BSSIL-(ND) Base Shoe, Straight-In Locking	4	18" or 24" only
D	BUB-2436 Basic Upright Brace	1	24" x 36"
E	SL-2 Lower Spanner	1	2' only
F	VC-(NH) Metal Upright End Cover	2	36" to 96" in 6" increments
G	UCC Upright Clear Cap	2	
H	STL-2 Top Spanner	1	2' only
I	SBS-2(ND) Standard Base Shelf	2	18" or 24" only
J	KP-2-5-SB Kickplate	2	2' only
K*	HDPAPMEF12-1818-55 Metal End Flat	2	12" x 36"
L	WAUSN4812 Wrap Around Upper Shelf, Notched	8	48" x 12"

Add Caster Parts List

M	MGED121818 Mobile Gondola End Deck	2	
N	OBS-2 Open Back Stiffener	1	2'
O	MGPCCR-24 Caster Runner	2	24"
P	SCS-2 Seismic Tie Bar	1	2'

*When ordering Casters DO NOT order Heavy-Duty Metal End Flats (HDPAPMEF12-1818-55)



M N O P
(Caster Parts Hidden)

A Back Panel

- Choose either Pegboard or Hardboard
- Nominal Width is 2' only (610 mm)
- Nominal Height minimum of 60" to 72" in 6" increments (1524 mm to 1829 mm in 152 mm increments)

B(TYPE)-2(NH)

- B Back
- TYPE P=Pegboard
H=Hardboard
- 2 Nominal Width 2' (610 mm)
- NH Nominal Height
60" to 72" in 6" increments
(1524 mm to 1829 mm
in 152 mm increments)

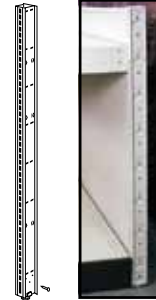


B Basic Upright

- Slotted 1" (25 mm) on centers for flexibility plus maximum space
- Engineered of heavy gauge, high tensile steel components welded into a single unit with a 15,000 inch-pound rating
- All Basic Uprights have integral leveler
- Nominal Height minimum of 60" to 72" in 6" increments (1524 mm to 1829 mm in 152 mm increments)

BU-(AH)

- BU Basic Upright
- AH Actual Height 36" to 96" in 6" increments
(914 mm to 2438 mm in 152 mm increments)



C Base Shoe, Straight In Locking

- Projection welded high tensile steel gives maximum load capacity
- Exclusive "I" beam design is 5" (127 mm) low
- Screwdriver leveling and electrical access
- Straight in insertion does not require tipping of the Basic Upright for installation
- Finishes are random unless Chocolate specified
- For 2' x 3': NW 12" (NW 305 mm)
- For 3' x 4': NW 18" or 24" (NW 457 mm or 610 mm)

BSSIL-(ND)

- BSSIL Straight In Locking Base Shoe
- ND Nominal Depth 12" to 30" in 2" increments
(304 mm to 762 mm in 50 mm increments)



D Basic Upright Brace

- For 2' x 3': NW 18", NH 36"
(NW 457 mm, NH 914 mm)
- For 3' x 4': NW 24", NH 36"
(NW 610 mm, NH 914 mm)

BUB-(NW)(NH)

- BUB Basic Upright Brace
- NW Nominal Width 18" or 24" (457 mm or 610 mm)
- NH Nominal Height 36" (914 mm)



E Lower Spanner

- Snap-in spanner secures uprights at equal spacing and supports back panels
- Electrical knockouts
- For 2' x 3': NW 18" (NW 457 mm)
- For 3' x 4': NW 24" (NW 610 mm)

SL-(NW)

- SL Lower Spanner
- NW Nominal Width 2' (610 mm)

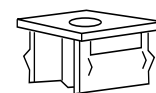


F Upright Clear Cap

- High impact molded plastic cap finishes open top end of Upright
- Provision for tapered or threaded stem sign holders
- Fits Telescoping Upright knockout in Top/Lower Spanner

UCC

- UCC Upright Cap, Clear



G Metal Upright End Cover

- Metal cover trims off end Upright of all runs
- Easy “snap-on” positive locking
- Standard colors:
Sahara, Chocolate, Snow White
- Optional colors available
- Nominal Height minimum of 60" to 72" in 6" increments (1524 mm to 1829 mm in 152 mm increments)

VC-(NH)

- VC Metal Upright End Cover
- NH Nominal Height 60" to 96" in 6" increments (914 mm to 2438 mm in 152 mm increments)



H Top Spanner

- Snap-in spanner secures uprights at equal spacing, traps back panels and trims top of section
- Electrical and telescoping Upright knockouts
- For 2' x 3': NW 18" (457 mm)
- For 3' x 4': NW 24" (610 mm)

STL-(NW)

- STL Top Spanner
- NW Nominal Width 18" or 2' (457 mm or 610 mm)

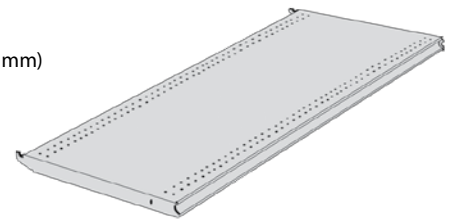


I Standard Base Shelf

- Formed price tag molding matches molding on upper shelves (see SUS)
- Heavy-gauge shelf bracket features lock tab to ensure quick installation and precision alignment
- Load capacity 600 lbs in all sizes, based on evenly distributed static loading
- Flush Front option available
- For 2' x 3': NW 18", ND 12" (NW 457 mm, ND 305 mm)
- For 3' x 4': NW 24", ND 18" or 24" (NW 610 mm, ND 457 mm or 610 mm)

SBS-(NW)(ND)

- SBS Standard Base Shelf
- NW Nominal Width 18" or 2' (457 mm or 610 mm)
- ND Nominal Depth 12", 18", 24" (305 mm, 457 mm, 610 mm)



Configurable Options

TYPE-OPT

- TYPE Blank=Perforated
NP=Non-Perforated
- OPT Optional Covering:
L=Laminate, C=Carpet, F=Fabric

Finish Code

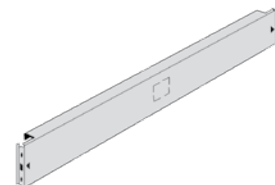
- FIN1 Shelf Color
- FIN2 Tag Mold Option:
Blank=Painted Color of Shelf
DGA2G=Gold Finish
DGA2P=Powder Coat Finish—Different from Shelf
DGA2A=Silver Finish

J Kickplate

- For 2' x 3': NW 18" (457 mm)
- For 3' x 4': NW 24" (610 mm)

KP-(NW)-5-SB

- KP Kickplate
- NW Nominal Length 18" or 2' (457 mm or 610 mm)
- 5 Nominal Height 5" (127 mm)
- SB Satin Black

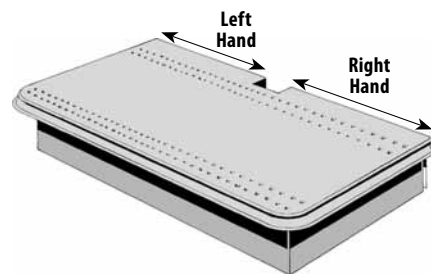


K Metal End Flat, 2' x 3'

- For a completely finished wraparound end look with widths to match all Gondola Bases
- Partially assembled to speed installation
- Kickplate assembly slips into Gondola Base Shoes, replacing Base End Covers, prior to installing End Frame
- Continuous tag molding matches all Standard Upper Shelves and has 2" (51 mm) radius safety corners
- End Flat accommodates 1¼" (32 mm) tags and has four point top leveling of shelf assembly

PAPMEF101212-S5

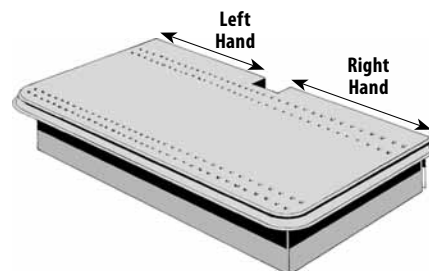
- PAP Partially Assembled, Perforated
- MEF Metal End Flat
- 10 Nominal Depth 10" (254 mm)
- 12 Nominal Width Left-Hand 12" (305 mm)
- 12 Nominal Width Right-Hand 12" (305 mm)
- S Standard Shelf
- 5 Nominal Base Height 5" (127 mm)


K Heavy-Duty Metal End Flat, 3' x 4'

- For a completely finished wraparound end look with widths to match Gondola Bases
- Partially assembled to speed installation
- Kickplate assembly slips into Gondola Base Shoes, replacing Base End Covers, prior to installing End Frame
- Continuous tag molding matches all Standard Upper Shelves and has 2" (51 mm) radius safety corners
- End Flat accommodates 1¼" (32 mm) tags and has four point top leveling of shelf assembly

HDPAPMEF12-1818-S5

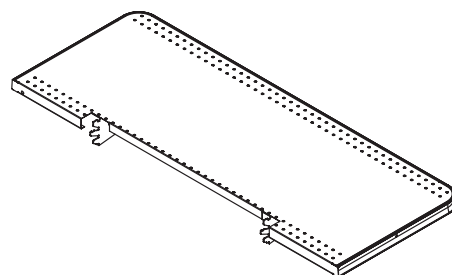
- HD Heavy-Duty
- PAPMEF Partially Assembled Perfed Metal End Flat
- 12 Nominal Depth 12" (305 mm)
- 18 Nominal Left-Hand Base 18" (457 mm)
- 18 Nominal Right-Hand Base 18" (457 mm)
- S Standard Shelf
- 5 Base Height 5" (127 mm)


L Wraparound Notched Upper Shelf

- Specially designed for a completely finished end look
- Continuous tag molding with 2" (51 mm) radius safety corners
- Accommodates 1¼" (32 mm) tags
- Tag molding matches all Standard Shelves and End Flats
- For 2' x 3': NW 36", ND 12", 18", 24" (NW 914 mm, ND 305 mm, 457 mm, 610 mm)
- For 3' x 4': NW 48", ND 12", 18", 24" (NW 914 mm, ND 305 mm, 457 mm, 610 mm)

WAUSN(NW)(ND)

- WAUSN Wraparound Notched Upper Shelf
- NW Nominal Width 36" or 48" (914 mm or 1219 mm)
- ND Nominal Depth 12", 18", or 24" (305 mm, 457 mm, or 610 mm)



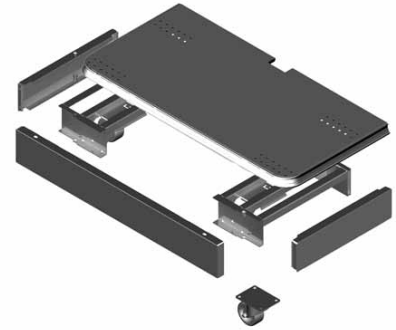
Casters for Feature Aisle Display

M Mobile Gondola End Deck

- To attach end deck to Mobile Gondola, order a Mobile Gondola End Deck to make the entire fixture run able to be moved
- Contains two caster runners and front and side kickplates
- Caster runners connect to Madix Base Shoes, allowing for a completely mobile Gondola
- Includes Wraparound Base Shelf
- Load capacity 400 lbs
- For 2' x 3': ND 12", LSD 12", RSD 12" (ND 305 mm, LSD 305 mm, RSD 305 mm)
- For 3' x 4': ND 12", LSD 18", RSD 18" (ND 305 mm, LSD 457 mm, RSD 457 mm)

MGED(ND)(LSD)(RSD)(NP)

- MGED Mobile Gondola End Deck
- ND Nominal Depth 12" (305 mm)
- LSD Left Side Depth 12" or 18" (305 mm or 457 mm)
- RSD Right Side Depth 12" or 18" (305 mm or 457 mm)
- NP Blank=Perforated
NP=Non Perforated

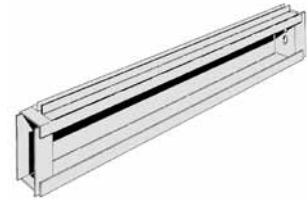


N Open Back Spanner

- For 2' x 3': NW 18" (457 mm)
- For 3' x 4': NW 24" (610 mm)

OBS-(NL)

- OBS Open Back Spanner
- NL Nominal Length 18" or 2' (457 mm or 610 mm)

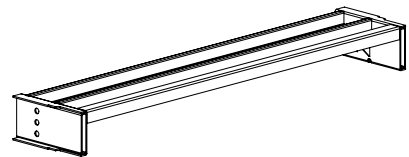


O Mobile Gondola Plate Caster Runner

- For 2' x 3': NW 18" (457 mm)
- For 3' x 4': NW 24" (610 mm)

MGPCCR-NW

- MGP Mobile Gondola Plate
- CCR Caster Runner
- NW Nominal Width 18" or 2' (457 mm or 610 mm)



P Seismic Tie Bar

- Stabilizes Maxi Line Basic Uprights when required by local or state building codes
- Bar may also be used if additional support is necessary for larger loads
- Hardware pack included
- For 2' x 3': NW 18" (457 mm)
- For 3' x 4': NW 24" (610 mm)

SCS-NW

- SCS Seismic Tie Bar
- NW Nominal Width 18" or 2' (457 mm or 610 mm)

