



LIGHTING & SIGNAGE

madix
INNOVATION ON DISPLAY





Our Purpose

Valuing people so they feel

SAFE, INSPIRED, and FULFILLED.





Lighting

Beam LED Canopy Light Gen4

Bid farewell to fluorescent canopy lighting! Our Beam LED Canopy Light is the more energy-efficient alternative, with no damaging UV rays and virtually no heat to degrade packaging. With a lens specially designed for optimum light distribution, BEAM will literally put your merchandise in the best light, attracting more shoppers and boosting your sales.

- 3' and 4' lengths (914 mm and 1219 mm)
- Maintenance-free life in excess of 50,000 hours (11 years at 12 hours/day)
- Uses same Power Supply and Jumper Cables as LEDge Light
- Durable aluminum extrusion
- Integrated magnets make installation on metal shelves or other surfaces easy and allow fast changes
- End tabs with holes for fastening to wood canopy and metal canopy brackets
- Certified by the DesignLights™ Consortium (DLC) and Underwriters Laboratories, Inc. (UL)
- DLC certification provides potential utility rebates
- All plug 'n play connections– no electrician required (Class 2 system)
- Multiple units are connected using Jumper Cables or Harness Assembly
- May be daisy-chained to single power supply for "single row" applications
- 100W power supply can power up to seven 48" (1219 mm) lights
- Color temperature: 4,200K
- Color Rendering Index (CRI) of 85
- Contains no heavy metals
- Low power consumption helps meet California Title 24 lighting regulations
- Safe 24 volt DC system
- 7-year warranty
- Not compatible with Lumi-M-Stick, Lumiback, or Lumishelf™ accessories

LLB(NL)

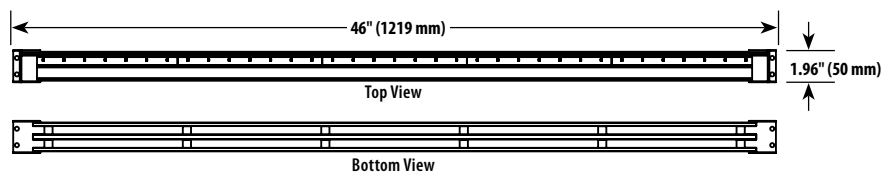
LLB Beam LED Canopy Light
 NL Nominal Length 36" or 48"
 (914 mm or 1219 mm)



Gen4 LED Lighting Wattage					Output/Efficiency	
Shelf Width	Part Number	Actual Length	DC Watts	Max # Lights per Power Supply	Lumens	Lumens/Watts
36"	LLB36	34½"	9.6W	10	1444	150
48"	LLB48	46½"	12.8W	7	1925	150

Lights Per Circuit*		
Circuit Amps	Power Supplies	LLB48 per Circuit
15	8	56
20	11	77

* Above assumes fully loaded power supply



LEDge Light Gen4

As the industry’s leading provider of LED shelf lighting, Madix is proud to offer a variety of options for creating illuminated displays. Our LEDge Light is the first LED-lighting product created specifically for retail shelves. These environmentally friendly LEDs produce light intensity comparable to that of T5 fluorescent bulbs—but with half the energy consumption and nearly three times the lifespan. The latest generation is our most efficient version yet, reducing energy consumption by an additional 25% (see specifications below).

LEDge Light

- 3' or 4' lengths (914 mm or 1219 mm)
- Maintenance-free life in excess of 50,000 hours (11 years at 12 hours/day)
- Compact, 1.18" x .88" (30 mm x 22 mm) profile
- Durable aluminum extrusion
- Integral magnets make installation on metal shelves or other surfaces easy and allow fast changes
- End tabs with holes for fastening to wood shelves, counters, or other surfaces
- Certified by the DesignLights™ Consortium (DLC) and Underwriters Laboratories, Inc. (UL)
- DLC certification provides potential utility rebates
- All plug 'n' play connections– no electrician required (class 2 system)
- Multiple units connected using Jumper Cables or Harness Assembly
- May be daisy-chained to single power supply for “single row” applications
- Power up to eighteen 48" LEDge Lights with one power supply (see chart)
- Color temperature: 4200K
- Color Rendering Index (CRI) of 85
- Contains no heavy metals
- Low power consumption helps meet California Title 24 lighting regulations
- Safe 24 volt DC system
- 7-year warranty
- Not compatible with Lumiback or Lumishelf™ accessories
- Redesigned control chip is not polarity sensitive, may be used with Versa System, power from top or bottom

LLS(NL)

- LLS.... LEDge Light
- NL.... Nominal Length 36" or 48"
(914 mm or 1219 mm)

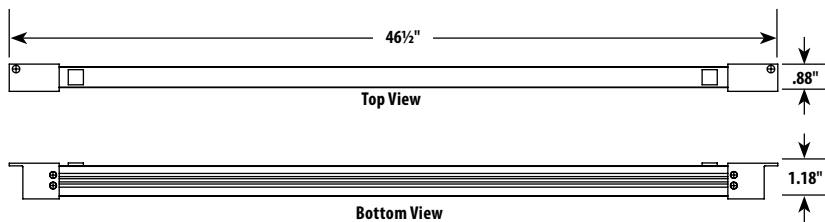


Gen4 LED Lighting Wattage					Output/Efficiency	
Shelf Width	Part Number	Actual Length	DC Watts	Max # Lights per Power Supply	Lumens	Lumens/Watts
36"	LLS36	34½"	4.0W	25	682	170
48"	LLS48	46½"	5.4W	18	910	168



Lights Per Circuit*		
Circuit Amps	Power Supplies	LLS48 per Circuit
15	8	144
20	11	198

* Above assumes fully loaded power supply





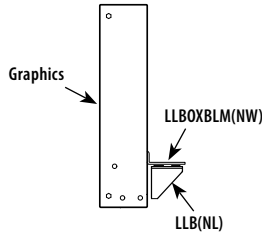
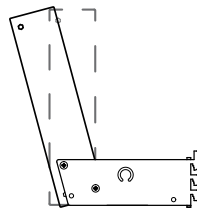
Constructed from light modules built by an LED industry leader, the LEDge Light Box illuminates your signage like no other. Each Light Box boasts over 400 lumens per square foot of signage while consuming less than 4 watts of power, providing stunning backlight for eye-catching graphics more efficiently than ever before.

LEDge Light Box

- Seamless integration with all LEDge Light products and accessories
- Light box can be set flush to the face of the gondola, or used as a canopy when mounted on brackets
- Can be daisy-chained to a single power supply Plug 'n play connections– no electrician required (Class 2 system)
- Ability to change graphics in seconds
- Over 400 lumens per square foot of signage
- Less than 4 watts of power consumption per square foot of signage
- 7 year warranty
- UL listed
- True photographic/duratrans film may be used in front of panels to create illuminated signage (8 mil recommended)
- Size for graphics: Nominal Height x Nominal Width - .188" (5 mm)
Example: 12" x 47.812" (305 mm x 1214 mm)
- Set viewable area of graphics with recommended 1" (25 mm) padding to avoid top and bottom lip of the Light Box
- Graphics not provided by Madix

LLBOX(NW)(NH)

- LLBOX LEDge Light Box
- NW Nominal Width 36" or 48" (914 mm or 1219 mm)
- NH Nominal Height 12" to 24" in 2" increments (305 mm to 610 mm in 51 mm increments)



	Nominal Width	Nominal Height	Lumens per Light Box	Power Consumption	Units per Power Supply
LLBOX3624	36"	24"	3100	21.5W	4
LLBOX4806	48"	06"	1100	7.74W	12
LLBOX4810	48"	10"	1700	12.04W	8
LLBOX4812	48"	12"	1700	12.04W	8
LLBOX4824	48"	24"	3900	27.52W	3

Additional sizes available

LEDge Light Box Bracket

- Canopy angle can be set perpendicular to the ground or at 15° down-tilt position

LLBOXB(ND)

- LLBOX LEDge Light Box
- B Bracket
- ND Nominal Depth 12" to 24" in 2" increments (305 mm to 610 mm in 51 mm increments)



LEDge Light Box Beam Light Mount

- Additional bracket allows a Beam LED Canopy Light [LLB(NL)] to mount to the rear of the Light Box for use as a canopy light
- Works in both vertical or at a 15° down-tilt canopy position

LLBOXBLM(NW)

- LLBOX LEDge Light Box
- BLM Beam Light Mount
- NW Nominal Width 36" or 48" (914 mm or 1219 mm)

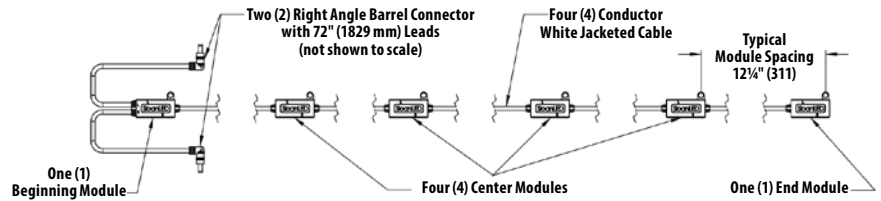


LEDge Light Harness Assembly

- Harness Assembly is used to connect up to 6 LEDge Lights to a single 100W power supply
- Up to 12 lights may be connected to a single Harness Assembly by using 2 power supplies
- Harness plugs directly into power supply
- Jumper Cables required to connect LEDge Lights to Harness Assembly
- 6 modules, 12.25" (311 mm) OC with 72" (1829mm) leads for each power supply connection
- The screw tab on each connecting module allows fastening to perforated back panel via push rivets or to other surfaces with screws (not included)
- White color

LLHA

LLHA LEDge Light Harness Assembly



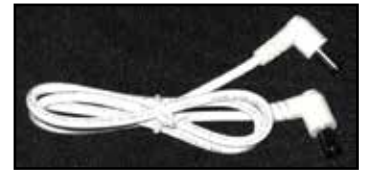
LEDge Light Jumper Cable

- Required to connect LEDge Lights to Harness Assembly and adjacent lights in daisy-chain applications
- Male connectors at each end
- White color

LLJ(NL)

LLJ LEDge Light Jumper Cable

NL Nominal Length 6", 18", 30", 72", or 144"
(152 mm, 457 mm, 762 mm, 1829 mm, or 3658 mm)



LEDge Light Power Supply

- UL listed 100W DC power supply features nearly 90% efficiency using of latest circuitry design
- 120V standard plug; no electrician required
- Maximum of 16 power supplies per 20-amp circuit
- Not compatible with Lumiback or Lumishelf™
- Uses 1 amp at 120V
- Female connector
- 60" (1524 mm) power cord

LLPS

LLPS LEDge Light Power Supply



LEDge Light Deck Support Mounting Clip

- Hardware pack included
- Available in light-duty, regular-duty or heavy-duty

LL(TYPE)DSMC

LL LEDge Light
TYPE LD=Light-Duty
RD=Regular-Duty
HD=Heavy-Duty
DS Deck Support
MC Mounting Clip



LEDge Light Cable Clamp

- Use to cleanly route cables
- Clear nylon with adhesive back
- 3/8" (10 mm) capacity
- 25 pieces per pack

LLCC38-25

LLCC LEDge Light Cable Clamp
38 3/8" (10 mm) capacity
25 25 pieces



LEDge Light Cable Clamp Magnetic

- Use to cleanly route cables
- Easy fast installation, durable and reusable
- Mounts rotate 360°
- 1/2" (13 mm) capacity
- Available in black or white

LLCCCM-(OPT)

LLCCCM LEDge Light Cable Clamp Magnetic

OPT Color
B=Black
W=White



LEDge Light Versa System

The new LEDge Light Versa system allows retailers to quickly and easily modify shelf spacing without the hassle of unplugging and reconnecting. Adjust shelves with LEDge Lights throughout the run without moving wires or electrical connections. System is used in lieu of harness or jumper application. Patent No. US 8,979,311 B2

- Hassle-free way to light an entire fixture run
- Quickly reset plan-o-grams
- Spring-loaded Versa connector easily installs to pre-existing LEDge light runs
- Compatible with most metal shelving
- Patent No. US 8,979,311 B2



LEDge Light Versa Connector

- Complete assembly includes connector and cable
- Versa connector needs to be size of shelf or deeper

LLVC(ND)

LLVC LEDge Light Versa Connector
 ND Nominal Depth
 12", 18" or 30"
 (305 mm, 457 mm or 762 mm)

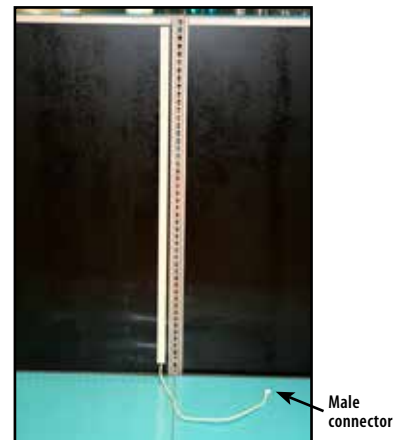


LEDge Light Versa Bus Bar

- Available in 46" and 76" (1168 mm and 1930 mm) lengths (for 54" and 84" [1372 mm and 2134 mm] back panels, respectively)
- Can be mounted higher or lower on larger panels depending on shelf location
- Can be trimmed to fit shorter panels
- Male connector is 27" (686 mm) long

LLBB(NL)

LLBB LEDge Light Versa Bus Bar
 NL Nominal Length
 46" or 76" (1168 mm or 1930 mm)

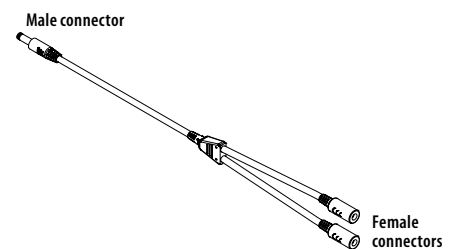


LEDge Light Versa Y-Connector

- Splitter connecting LEDge Light Versa Bus Bars to power supply
- 15" (381 mm) overall length

LLVY

LLVY LEDge Light Versa Y-Connector



LEDge Light Dimming Controller Kits

Dimming controllers use infrared sensors to dim or shut off LEDge Lights when customers are not shopping the aisle. Dimming is adjustable from "Off" to 12%, 25%, or 50% of total intensity. State of the art control dims and ramps up light slowly, making the change less noticeable to customers. Use of dimming control may cut energy consumption by over 50% and double the life of the LEDge Light.

LEDge Light Dimming Controller Starter Kit

- Controls single, 100W power supply
- Kit contains one dimming controller, two infrared sensors, cables, and connectors for use in up to a 24' (7315 mm) run (longer runs require Sensor Add-On Kit- see below)
- Sensor detection range is 14' (4267 mm) diameter
- Specify sensor mounts for slotted upright (B) or shelf (S)
- "Plug and play" connections- no electrician required
- White color

LLDCS-(TYPE)

LLDCS LEDge Light Dimming Controller Starter Kit

TYPE Sensor Mount Type:
B=Slotted Upright
S=Shelf

LEDge Light Dimming Controller Add-On Kit

- Order this kit to control additional power supplies (one kit per power supply)
- Contains one dimming controller, cables and connectors to add one power supply
- "Plug and play" connections- no electrician required
- White color

LLDCA

LLDCA LEDge Light Dimming Controller Add-On Kit

LEDge Light Motion Sensor Add-On Kit

- Order this kit where additional sensors are required in system [at center of any run that exceeds 24' (7315 mm)]
- Kit adds a single sensor to Starter Kit above
- Contains one infrared sensor, cables, and connectors to add 12' (3648 mm) to run
- Specify sensor mounts for slotted upright (B) or shelf (S)
- "Plug and play" connections- no electrician required
- White color

LLMSA-(TYPE)

LLMSA LEDge Light Motion Sensor Add-On Kit

TYPE Sensor Mount Type:
B=Slotted Upright
S=Shelf

LEDge Light Dimming Components

Individual components to be used with Starter and Add-On Kits as needed.

LEDge Light Dimming Controller

LLDC

LLDC LEDge Light Dimming Controller



LEDge Light Motion Sensor

• 60" (1524 mm) cord

LLMS

LLMS LEDge Light Motion Sensor



LEDge Light Sensor Mounting Bracket

• Specify sensor mounts for slotted upright (B) or shelf (S)

LLSMB-(TYPE)

LLSMB LEDge Light Sensor Mounting Bracket

TYPE Sensor Mount Type:
B=Slotted Upright
S=Shelf

LEDge Light Cat 5 Cable

• Used to connect Motion Sensor to Dimming Controller

LLC5C-(NL)

LLC5C LEDge Light Cat 5 Cable

NL Nominal Length 3', 15', 25', or 50'
(914 mm, 4572 mm, 7620 mm, or 15,240 mm)



LEDge Light Cat 5 Coupler

LLC5CP

LLC5CP LEDge Light Cat 5 Coupler



LEDge Light Cat 5 Y-Splitter

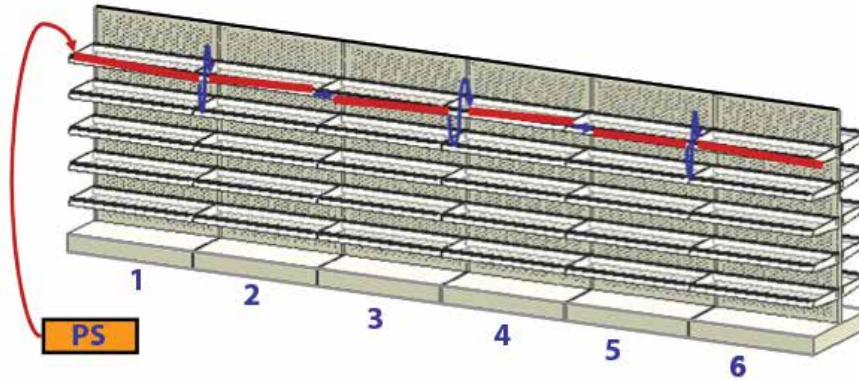
LLC5YS

LLC5YS LEDge Light Cat 5 Y-Splitter

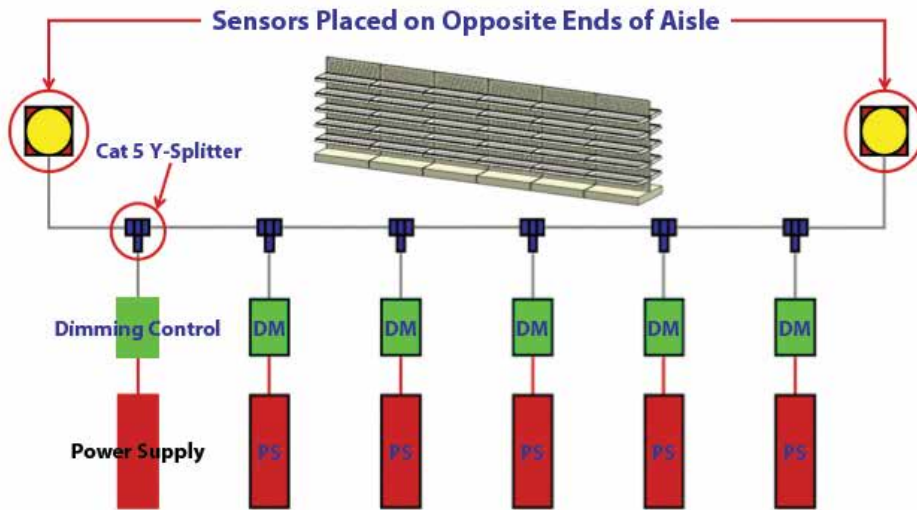


LEDge Light Typical Installations

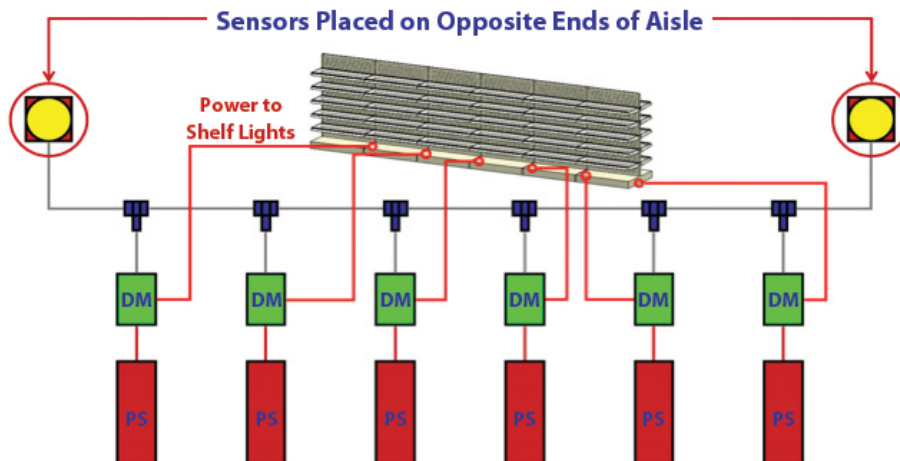
Daisy-Chain Wiring Configuration



Dimming Control Sensor Installation



Dimming Control LEDge Light Installation



Lighted Upper Shelf Assembly

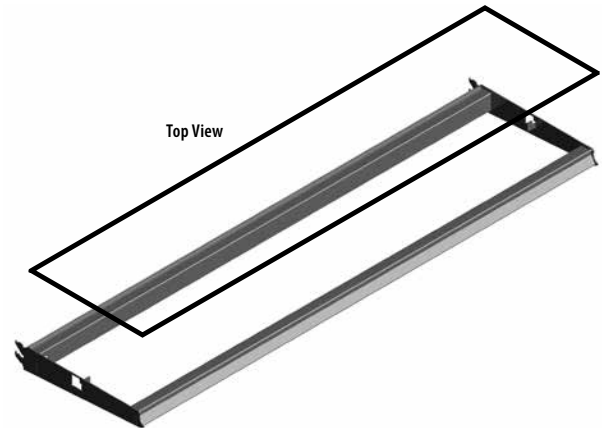
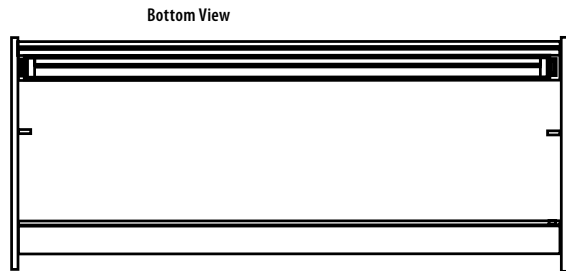
- Shelf assembly uses LEDge Light [LLS(NL)], ordered separately
- Several sizes, finishes, and top surfaces are available
- Load capacity is 100 lbs for each shelf

LUSANL-(NW)(ND)-(OPT2)

- LUSA Lighted Upper Shelf Assembly
- NL No Light
- NW Nominal Width 3' or 4' (914 mm or 1219 mm)
- ND Nominal Depth 12", 14", 16", 18", 22" or 24" (305 mm, 356 mm, 406 mm, 457 mm, 559 mm or 610 mm)
- OPT2 Top Option
 - TG=Tempered Glass
 - CA=Clear Acrylic
 - FA=Frosted Acrylic
 - ND=No Deck

NOTE!
Order LEDge Light. LLS(NL) separately.

NOTE!
Madix does not recommend using lighted shelves with merchandise that is sensitive to slightly warmer temperatures or direct exposure to light.



Lighted Upper Shelf Assembly Step Back Shelf

- Shelf assembly uses LEDge Light [LLS(NL)], ordered separately
- Use with standard Maxi Line
- Merchandise display area is overall shelf depth minus 4⁵/₁₆" (110 mm) or minus 6⁷/₃₂" (166 mm), respectively
- Sign holders accept customer supplied signage up to 3¹/₁₆" (5 mm) thick, either 4" or 6" (102 mm or 152 mm) high and in lengths equal to nominal shelf width minus 1¹/₁₆" (2 mm)
- Load capacity is 100 lbs

LUSASTBNL-(NW)(ND)(OPT2)-(OPT3)

- LUSASTB.. Lighted Upper Shelf Assembly Step Back Shelf
- NL No Light
- NW Nominal Width 3' or 4' (914 mm or 1219 mm)
- ND Nominal Depth 18" to 30" in 2" increments (457 mm to 762 mm in 51 mm increments)
- OPT2 Step Option
 - 4=4" (102 mm)
 - 6=6" (152 mm)
- OPT3 Top Option
 - TG=Tempered Glass
 - CA=Clear Acrylic
 - FA=Frosted Acrylic
 - ND=No Deck

NOTE!
Order LEDge Light. LLS(NL) separately.

NOTE!
Madix does not recommend using lighted shelves with merchandise that is sensitive to slightly warmer temperatures or direct exposure to light.





Signage

Step Back Shelf

- Includes built-in sign holder and 1¼" (32 mm) price-tag molding
- Allows product information to be displayed in front of product and visible to customer, eliminating the need for overhead or inline signage
- Allows for more aesthetic presentation of product information without blocking valuable display space
- Available in overall depths of 18" to 30" in 2" increments (457 mm to 762 mm in 51 mm increments)
- Merchandise display area is overall shelf depth minus 4⅝" (110 mm) or minus 6⅞" (166 mm) respectively with either the 4" or 6" (102 mm or 152 mm) sign holder option
- Sign holders accept customer-supplied signage up to ⅜" (5 mm) thick, either 4" or 6" (102 mm or 152 mm) high and in lengths equal to nominal shelf width minus ⅛" (2 mm)

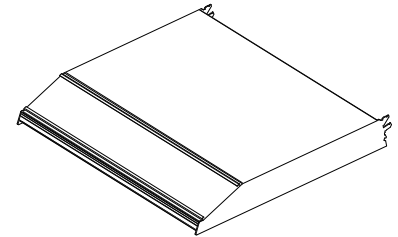
STBS-(NW)(ND)(SO)(OPT)-(FIN1)-(FIN2)

- STBS Step Back Shelf
- NW Nominal Width 24", 36" or 48" (610 mm, 914 mm, or 1219 mm)
- ND Nominal Depth 18" to 30" in 2" increments (457 mm to 762 mm in 51 mm increments)
- SO Step Option:
225=2¼" (57.15 mm)
4=4" (101 mm)
6=6" (152 mm)
- OPT Blank=Painted
C=Carpet



Finish Code

- FIN1 Shelf Color
- FIN2 Carpet Color Option

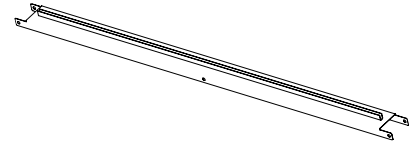


Top Spanner with Sign Channel

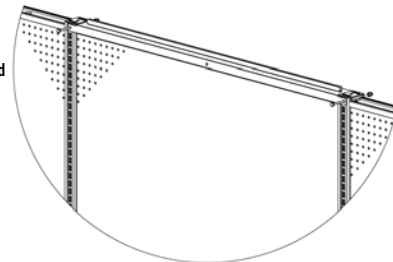
- Accommodates signage thicknesses up to ¼" (6 mm)
- Hardware pack included

CTSSC4

- CTS Cosmetic Top Spanner
- SC Sign Channel
- 4 Nominal Width
4=48" (1219 mm)



Shown mounted to gondola

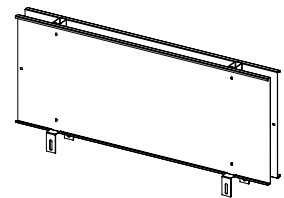


Top Spanner Sign Holder

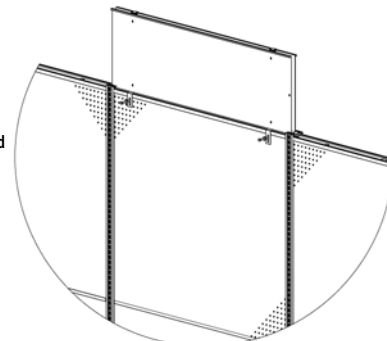
- Display customer-supplied signage on both sides
- Accommodates signage thicknesses up to ¼" (6 mm)
- Hardware pack included

STLSHM-(NW)(NH)

- STL Top Spanner
- SHM Sign Holder Modified
- NW Nominal Width 36" or 48" (914 mm or 1219 mm)
- NH Nominal Height 04", 06", 08", 16", or 18" (102 mm, 152 mm, 203 mm, 406 mm, or 457 mm)



Shown mounted to gondola

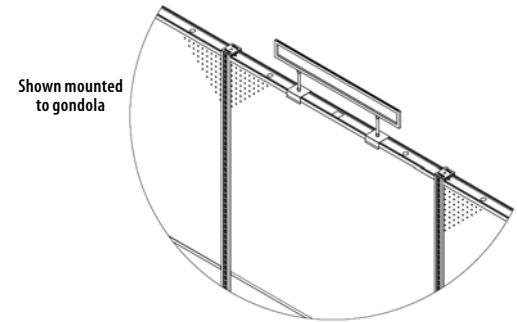
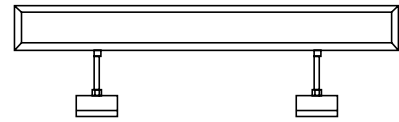


Double Stem Sign Holder for Top Spanner

- Display customer-supplied signage
28"W x 3¼"H (711 mm x 83 mm)
- Accommodates signage thicknesses up to
¼" (6 mm)

DSSHFTS

DSSH Double Stem Sign Holder
FTS for Top Spanner

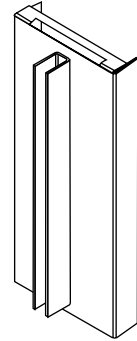


Vertical End Cover Extension with Sign Channel

- Attaches to inside of upright, allowing customer-supplied signage to be integrated seamlessly into gondola/wall run
- Single-track channel
- Accommodates signage thicknesses up to
¼" (6 mm)
- Order back panel 6" (152 mm) shorter than upright height

EVCSC-(NH)

EVC Vertical End Cover Extension
SC Sign Channels
NH Nominal Height 06" to 30" in 6" increments
(152 mm to 762 mm in 152 mm increments)



NOTE!

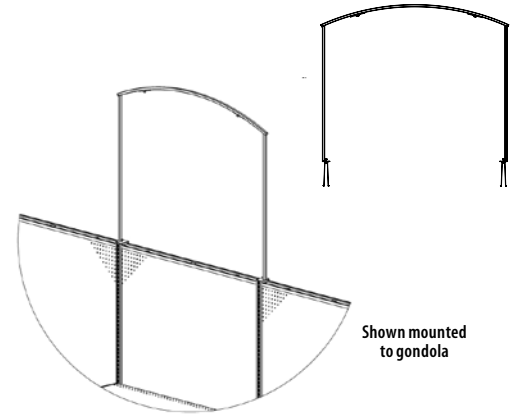
To determine width of signage,
subtract 2.875" (73 mm) from nominal
width of gondola.

Sign Holder Basic Upright Top Mount

- Mounts directly into upright
- Hardware pack included

SHBUTM-(NW)(NH)

SH Sign Holder
 BUTM Basic Upright Top Mount
 NW Nominal Width 48" (1219 mm)
 NH Nominal Height 37" (940 mm)

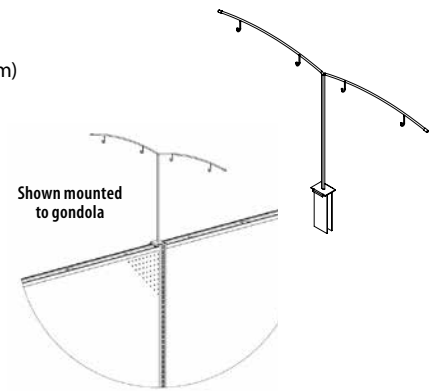


Wire Health & Beauty Aid Sign Holder

- Mounts to upright
- Four 1/8" (3 mm) hooks for displaying customer-supplied signage
- Vinyl caps included

WHBASH(NL)24

WHBASH.... Wire Health & Beauty Aid Sign Holder
 NL Nominal Length 24" or 37" (610 mm or 940 mm)
 24 Nominal Height 24" (610 mm)

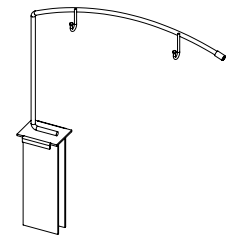


Wire Health & Beauty Aid Sign Holder Single Arm

- Mounts to upright
- Four 1/8" (3 mm) hooks for displaying customer-supplied signage
- Vinyl caps included

WHBASHSA12(NH)

WHBASH.... Wire Health & Beauty Aid Sign Holder
 SA Single Arm
 12 Nominal Length 12" (305 mm)
 NH Nominal Height 08", 18" or 24"
 (203 mm, 457 mm or 610 mm)

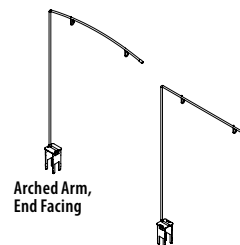


Hypermaxi & Wide Span Sign Holder

- Mounts in Hypermaxi or Wide Span uprights and frames
- Front-facing option faces into aisle
- End-facing option faces over the end cap or at the end of a shelving run
- Includes black cap at the end of wire
- Hook-to-hook length: 12"=6.5" and 18"=10.5" (305 mm=155 mm and 457 mm=267 mm)
- Sign graphics not included

HMSASH(NL)(NH)(OPT1)(OPT2)

HM Hypermaxi
 SASH Single Arm Sign Holder
 NL Height Length 12" or 18"
 (305 mm or 457 mm)
 NH Nominal Height 06" to 42"
 in 6" increments
 (152 mm to 1067 mm
 in 152 mm increment)
 OPT1 Blank=Arched Arm
 SA=Straight Arm
 OPT2 E=End Facing
 F=Front Facing



Metal Canopy Graphics Sign Holder

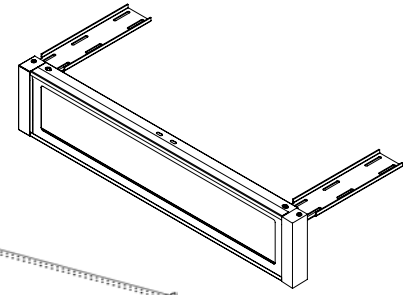
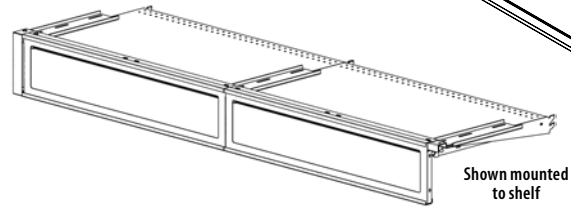
- Brackets mount to front perforation of shelf
- Use center bracket only for canopy lengths of 72" (1829 mm) through 96" (2438 mm)
- Hardware pack included

MCGSH-08-(NW)

MCGSH Metal Canopy Graphics Sign Holder

08 Nominal Height 08" (203 mm)

NW Nominal Width 36", 48", 72" or 96"
(914 mm, 1219 mm, 1829 mm or 2438 mm)



Sign Holder Shelf Mount

- Mounts directly onto shelf
- Left-hand, right-hand, or center option
- Height is 14 $\frac{5}{8}$ " (371 mm)

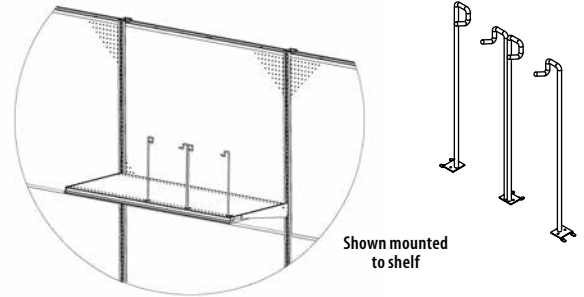
SHSM-(OPT)

SHSM Sign Holder Shelf Mount

OPT RH=Right Hand

LH=Left Hand

C=Center



Gondola Accent Cap

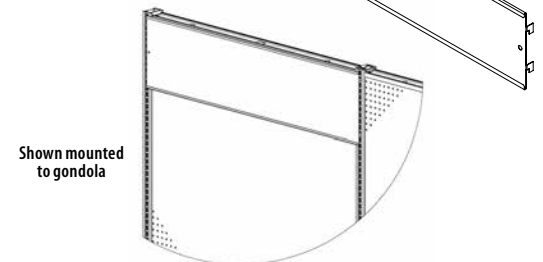
- Display customer-supplied signs, pricing, or accent strips in standard gondola/wall, end frames, and end merchandisers
- Accommodates signage thicknesses up to $\frac{1}{16}$ " (2 mm)

ADGAC-(NH)(NW)

ADGAC Appliance Divider Gondola Accent Cap

NH Nominal Height 4" to 12" in 2" increments
(102 mm to 305 mm in 51 mm increments)

NW Nominal Width 24" to 48" in 6" increments
(610 mm to 1219 mm in 152 mm increments)



Gondola Sign Holder Flush Mount

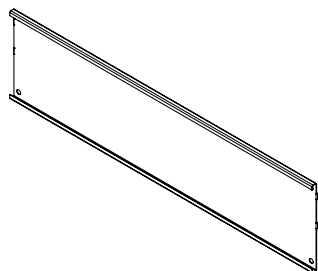
- Mounts to Maxi Line or Luxe upright
- Graphics sizes: NW x NH

GSHFM(NW)(NH)

GSHFM Gondola Sign Holder Flush Mount

NW Nominal Width 24", 36" or 48"
(610 mm, 914 mm or 1219 mm)

NH Nominal Height 06" or 12"
(152 mm or 305 mm)

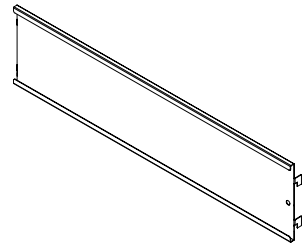


Gondola Accent Cap for 1/4" Signage

- Display customer-supplied signs, pricing, or accent strips in standard gondola/wall, end frames, and end merchandisers
- Accommodates signage thicknesses up to 1/4" (6 mm)

ADGAC-25(NH)(NW)

ADGAC Appliance Divider Gondola Accent Cap
 25 1/4" (6 mm) Signage
 NH Nominal Height 4" to 10" in 1" increments
 (102 mm to 254 mm in 25 mm increments)
 NW Nominal Width 24" to 48" in 6" increments
 (610 mm to 1219 mm in 152 mm increments)

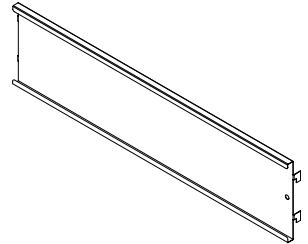


Gondola Accent Cap for 3/8" Signage

- Display customer-supplied signs, pricing, or accent strips in standard gondola/wall, end frames, and end merchandisers
- Accommodates signage thicknesses up to 3/8" (6 mm)

ADGAC-3/8(NH)(NW)

ADGAC Appliance Divider Gondola Accent Cap
 3/8 3/8" (10 mm) Signage
 NH Nominal Height 4" to 12" in 2" increments
 (102 mm to 305 mm in 51 mm increments)
 NW Nominal Width 24" to 48" in 6" increments
 (610 mm to 1219 mm in 152 mm increments)

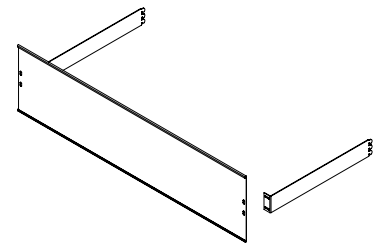


Gondola Accent Cap with Brackets

- Display customer-supplied signs, pricing, or accent strips in standard gondola/wall, end frames, and end merchandisers
- Accommodates signage thicknesses up to 1/4" (6 mm)

ADGACMB-(NH)(NW)(ND)

ADGAC Appliance Divider Gondola Accent Cap
 MB Mounting Brackets
 NH Nominal Height 04" to 12" in 2" increments
 (102 mm to 305 mm in 51 mm increments)
 NW Nominal Width 24" to 48" in 6" increments
 (610 mm to 1219 mm in 152 mm increments)
 ND Nominal Height 04" to 16" in 2" increments
 (102 mm to 406 mm in 51 mm increments)

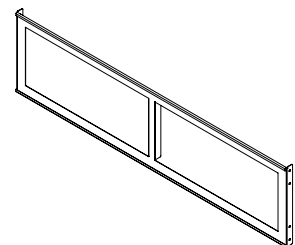


Sign Holder Gondola Mounted Extended Frame

- Accommodates signage thicknesses up to 3/16" (5 mm)
- Straight or angled 10° for better graphic visibility

SHGMEXTF(NW)(NH)

SHGM Sign Holder Gondola Mounted
 EXTF Extended Frame
 NW 36" or 48" (914 mm or 1219 mm)
 NH 12" (305 mm)



Sign Holder Gondola Mounted Extended Bracket

- Mounting brackets for Sign Holder Gondola Mounted Extended Frame [SHGMEXTF(NW)(NH)]
- 0° or 10° uptilt
- One required per uplight

SHGMEXTB(ND)(OPT)

SHGM Sign Holder Gondola Mounted
 EXTB Extended Bracket
 ND Nominal Depth 20" (508 mm)
 OPT Blank=0° uptilt
 10=10° uptilt

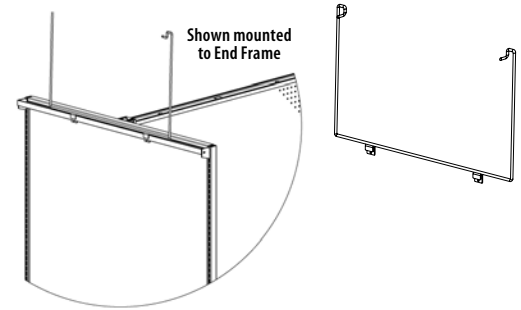


End Cap Sign Holder

- Mounts to Vertical Divider Bar

ECSH-3019

ECSH.... End Cap Sign Holder
 30.... Nominal Width 30" (762 mm)
 19.... Nominal Height 19" (483 mm)

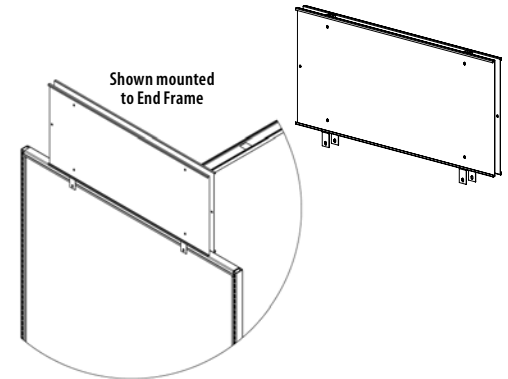


End Frame Top Mount Sign Holder

- Accommodates signage thicknesses up to $\frac{5}{16}$ " (8 mm)
- Hardware pack included

EFTMSH-(NW)(NH)

EF.... End Frame
 TMSH.... Top Mount Sign Holder
 NW.... Nominal Width 24", 36" or 48"
 (610 mm, 914 mm or 1219 mm)
 NH.... Nominal Height 4" to 18" in
 2" increments
 (102 mm to 457 mm in
 51 mm increments)

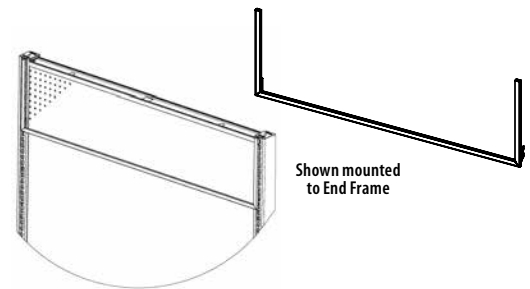


End Cap Sign Holder Basic Upright Mount

- Brackets insert directly into upright
- Accommodates signage thicknesses up to $\frac{1}{4}$ " (6 mm)

ECSHBU(NW)(NH)

ECSH.... End Cap Sign Holder
 BU.... Basic Upright Mount
 NW.... Nominal Width 24", 36" or 48"
 (610 mm, 914 mm or 1219 mm)
 NH.... Nominal Height 08" to 14" in
 2" increments
 (203 mm to 356 mm in
 51 mm increments)

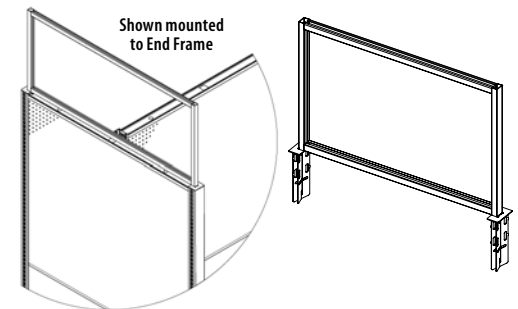


Maxi Line End Cap Sign Header

- Insert directly into upright
- Accommodates signage thicknesses up to $\frac{1}{4}$ " (6 mm)

MLECSH(NW)(NH)

ML.... Maxi Line
 ECSH.... End Cap Sign Header
 NW.... Nominal Width 24" to 48"
 in 6" increments
 (610 mm to 1219 mm in
 152 mm increments)
 NH.... Nominal Height 18" or 20"
 (457 mm or 508 mm)

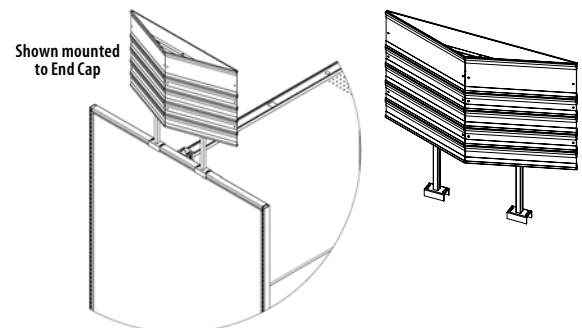


Triangular End Cap Sign Holder

- Mounts to top of End Cap for EF or TOEM only
- Available width 29 $\frac{1}{4}$ " (743 mm)
- Available height 28 $\frac{1}{8}$ " (714 mm)

TECSH

TEC.... Triangular End Cap
 SH.... Sign Holder



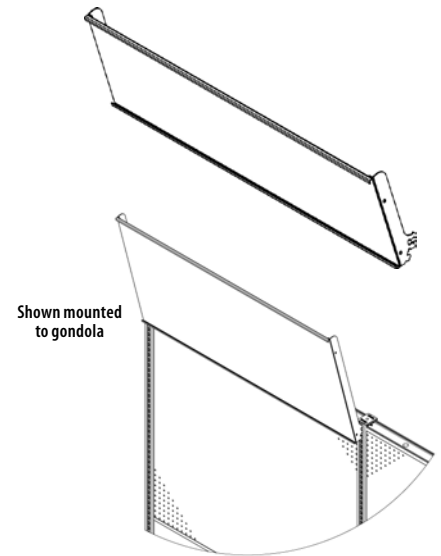
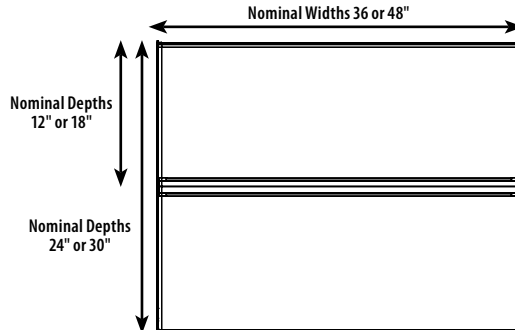
Wing Shelf Sign Holder, Three Position

- 15°, 30° and 45° angles
- Customer-supplied signage dimensions:
 - Widths: 36" (914 mm) or 48" (1219 mm)
 - Heights: please refer to chart
 - Thickness: ¼" (6 mm)

Nominal Depth	Sign Height	Quantity Needed
12"	11.875"	1
18"	17.875"	1
24"	11.875"	2
30"	14.875"	2

WSSH3P-(NW)(ND)

- WSSH Wing Shelf Sign Holder
- 3P Three Position
- NW Nominal Width 36" or 48" (914 mm or 1219 mm)
- ND Nominal Depth 12", 18", 24" or 30" (305 mm, 457 mm, 610 mm or 762 mm)

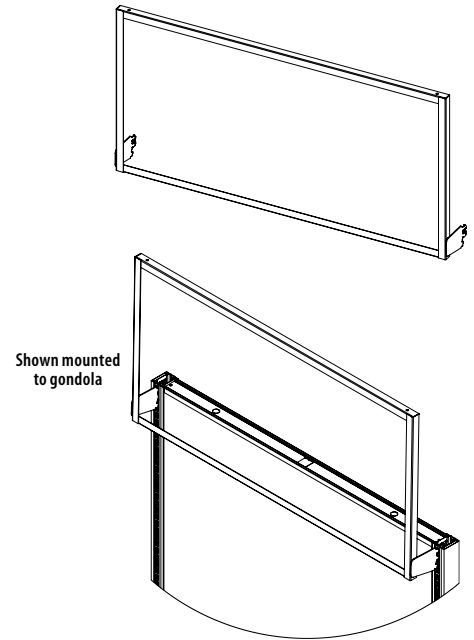


Gondola Header Sign, Basic Upright Mounted

- Customer-supplied signage dimensions:
 - NW - .562" x NH - .188" (14 mm x 5 mm)
- Thickness: ¼" (6 mm)

GHSBABUM(NW)(ND)

- GHSBA Gondola Header Sign Holder Angled
- BUM Basic Upright Mount
- NW Nominal Width 36" or 48" (914 mm or 1219 mm)
- NH Nominal Height 6" to 36" in 1" increments (152 mm to 914 mm in 25 mm increments)



A Queuing System Sign Holder and Stem**QSSH(SIZE)**

QSSH.... Queuing Systems Sign Holder and Stem

Size 5X7=5"x7" (127 mm x 178 mm)

7X11=7"x11" (178 mm x 279 mm)

11X7=11"x7" (279 mm x 178 mm)

B Queuing Bowl Divider**QBDIV12-04**

QB.... Queuing Bowl

DIV.... Divider

12.... 12" (305 mm)

04.... 4 Dividers

C Bowl Adapter Nut**ABADPT**

ABADPT.... Bowl Adapter Nut

D Queuing Bowl**QB700922**

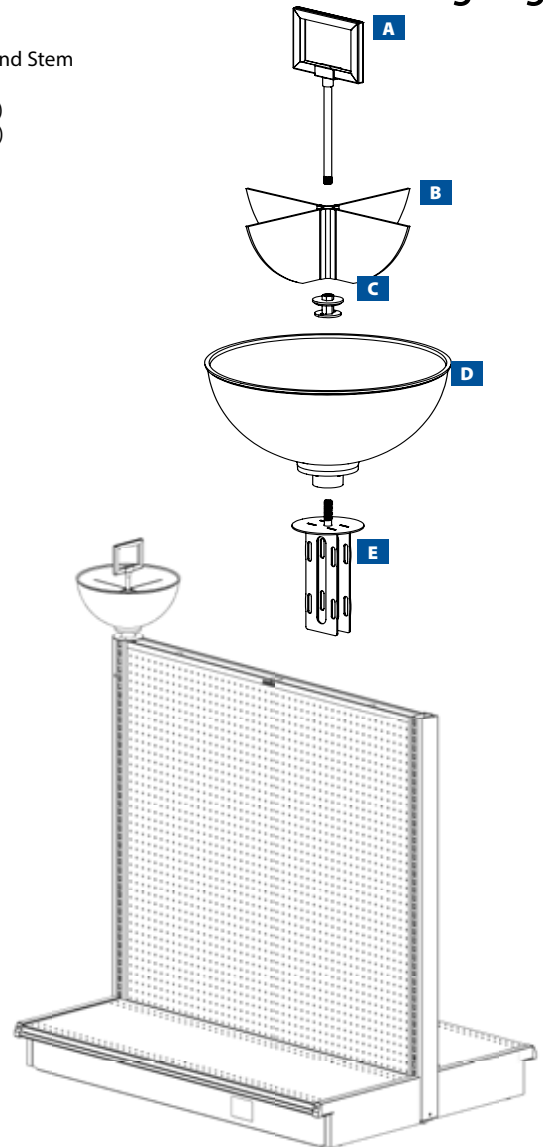
QB.... Queuing Bowl

E Bowl Mount for Basic Upright**MLQABMH**

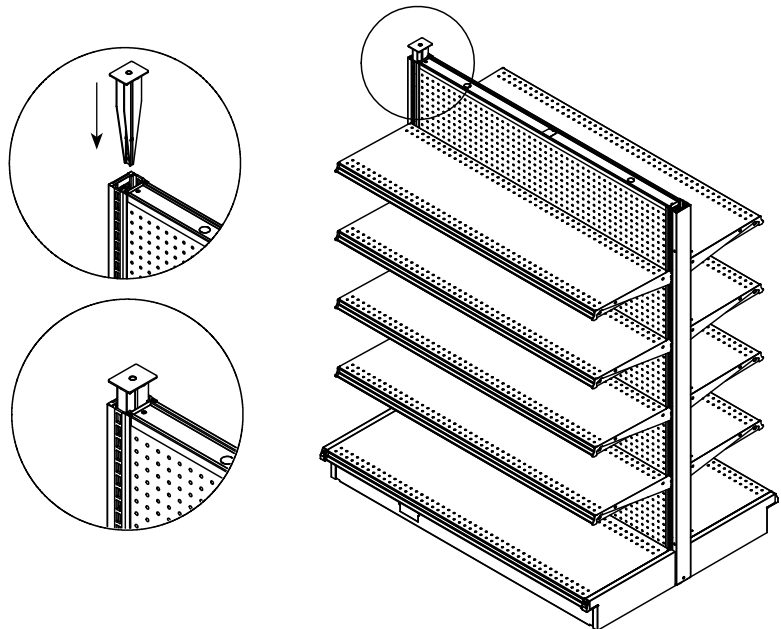
ML.... Maxi Line

QABM.... Queuing Acrylic Bowl Mount

H.... Hardware

**Sign Base Basic Upright Mount****SBBUM**

SBBUM.... Sign Base Basic Upright Mount

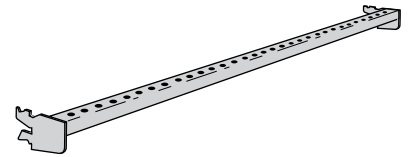


Vertical Divider Bar

- Heavy-duty brackets insert into basic upright at any height
- 1" (25 mm) square tubing with 3/8" (10 mm) diameter holes; 1" (25 mm) OC to accept Vertical Divider Arms
- One Vertical Divider Bar required per section
- Standoff distances range from 2" (51 mm) to 20" (508 mm)

VDB-(NW)(SO)

- VDB Vertical Divider Bar
- NW Nominal Width 3' or 4' (914 mm or 1219 mm)
- SO Standoff 2" to 20" in 2" increments (51 mm to 508 mm in 51 mm increments)

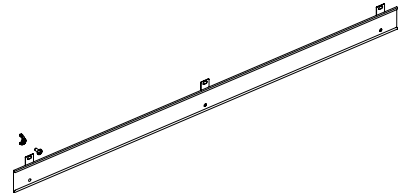


Vertical Divider Bar Dual Mounting Sign Channel

- Accessory for Vertical Divider Bar
- 2 1/2" (64 mm) height
- Accommodates signage thicknesses up to 1/8" (2 mm)
- Hardware pack included

VDBDMSC(NW)

- VDB Vertical Divider Bar
- DMSC Dual Mounting Sign Channel
- NW Nominal Width 24" to 48" in 6" increments (612 mm to 1219 mm in 51 mm increments)

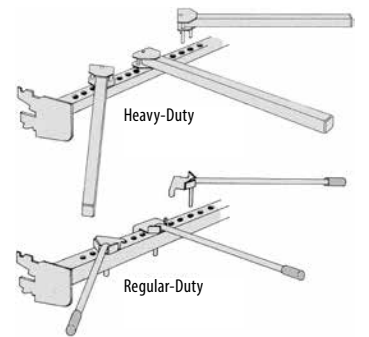


Vertical Divider Arm

- Mounts to Vertical Divider Bar
- Unique mounting attachment allows for straight or 45° placement
- Front and/or rear mount
- Available in Regular-Duty 3/8" (10 mm) diameter, red neoprene safety tip, or Heavy-Duty (1" [25 mm] square tubing, vinyl safety cap)
- Threaded option locks arm, prevents accidental dismounting
- Standard finishes: Sahara or Blue Gray

(OPT)VDA-(NL)(TYPE)

- OPT T=Threaded
Blank=Non-threaded
- VDA Vertical Divider Arm
- NL Regular-Duty:
06" to 20" in 2" increments (152 mm to 508 mm in 51 mm increments)
- Heavy-Duty:
12" to 30" in 2" increments (305 mm to 762 mm in 51 mm increments)
- TYPE R=Regular-Duty
H=Heavy-Duty

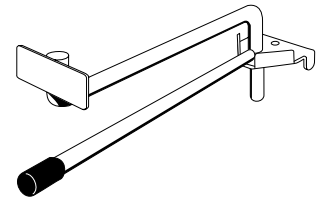


Vertical Divider Arm with Price Tag Holder

- Accessory for Vertical Divider Bar
- Unique mounting attachment allows for straight or 45° placement
- Red neoprene safety tip included
- Available in 3/8" (10 mm) or 1/4" (6 mm) wire
- Price-tag holder 2" (51 mm) W x 1 1/4" (32 mm) H

VDA-(NL)R-PTH-(OPT)

- VDA Vertical Divider Arm
- NL Nominal Length 06" to 20" in 2" increments (152 mm to 508 mm in 51 mm increments)
- R Regular Duty
- PTH Price Tag Holder
- OPT Blank=3/8" Wire
239=1/4" Wire

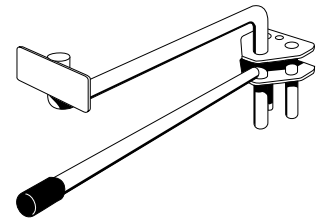


Vertical Divider Arm Heavy-Duty Scan Hook

- Accessory for Vertical Divider Bar
- Unique mounting attachment allows for straight or 45° placement
- Red neoprene safety tip included
- Available in 3/8" (10 mm) or 1/4" (6 mm) wire
- Scan plate 2 5/8" (67 mm) W x 1 1/8" (29 mm) H

VDAHDSH-(NL)-(OPT)

- VDA Vertical Divider Arm
- HDSH Heavy-Duty Scan Hook
- NL Nominal Length 06" to 20" in 2" increments (152 mm to 508 mm in 51 mm increments)
- OPT Blank=3/8" Wire
239=1/4" Wire

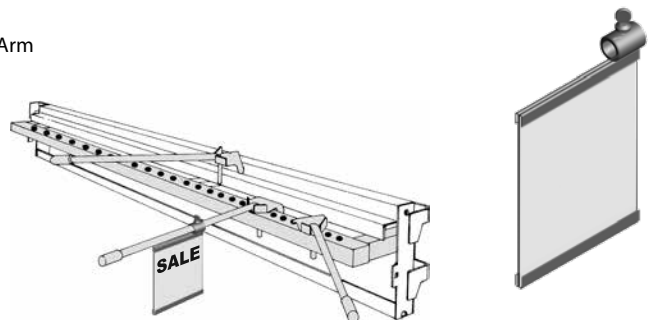


Vertical Divider Arm Sign Holder

- Accessory for Vertical Divider Arms
- Easier to place sign near products
- Extends outward from merchandise where consumers are provided product information at a quick glance
- Holds 4 3/8"W x 5 1/2" H (111 mm x 140 mm) customer-supplied sign
- Requires Vertical Divider Bar and Vertical Divider Arms

VDASH

- VDA Vertical Divider Arm
- SH Sign Holder



Oversize Sign Track System

Convert existing shelves into creative back-stock storage using this easy-to-install track system and large-format signage panels! The tracks can be placed between two shelves (below the upper shelf and on top of the lower shelf) for storage space that can be as tall—or as short—as needed, depending on the height of the fixture and the size of your supplied signage panels. Simply adjust the spacing between the upper and lower shelves to increase or decrease storage capacity. A fully enclosed unit can be formed by using metal or wood-laminate end panels on either side.

- Hides stock behind signage “doors” that slide left and right within the channels
- Can be used in place of Madix door kits
- Does not interfere with tag molding
- May be installed at any height on the fixture run
- Compatible with existing Maxi Line, Tube Line, and T-Rack shelving
- Can be ordered as either a starter or add-on
- Signage panels must be supplied by the customer (rigid material recommended for panels, such as 5 mil foam board or styrene)
- Can be painted to match shelving color
- Can be ordered in multiple lengths to work shelving run



Open



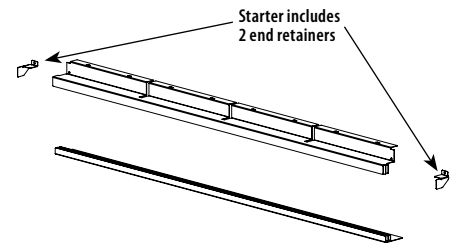
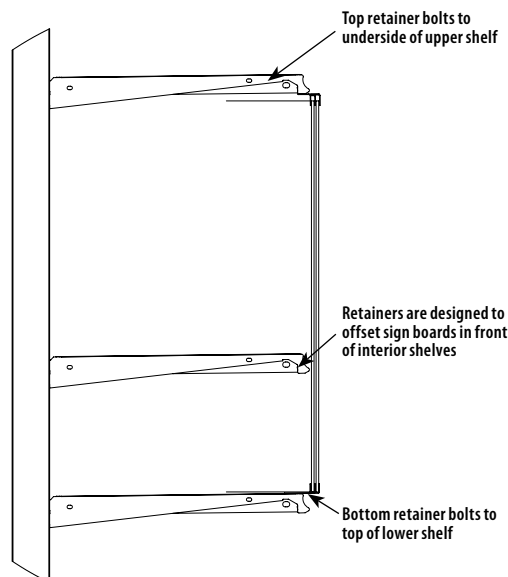
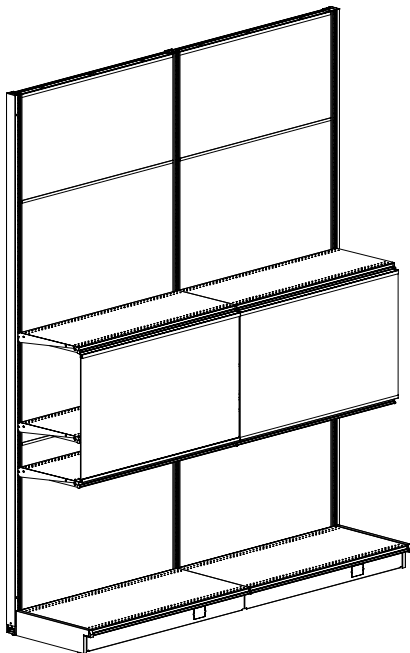
Closed

OSSBTS(NW)(OPT)

OSSBTS Oversize-Sign Track System

NW Nominal Width 24", 36", 48", 60", 72", 84" or 96"
(610 mm, 914 mm, 1219 mm, 1524 mm, 1829 mm,
2134 mm or 2438 mm)

OPT S=Starter
A=Add-on

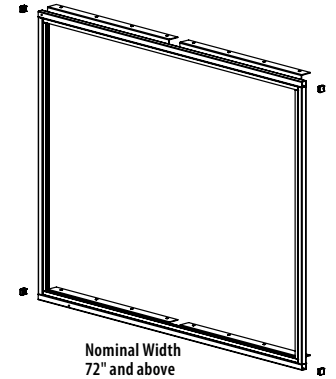
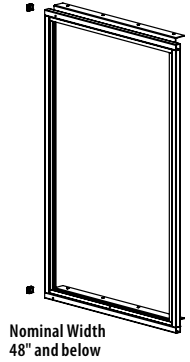


Wide Span Hypermaxi Sign Holder Modified Shelf Mount

- Signage Height: NH-2.313"
- Signage Width: NW-½" (1 mm); 1.34" (3 mm) overlap
- Signage Thickness: ¼" max
- May also be installed on Maxi Line Gondola

WSHMSHF(NW)(NH)

- WSHM Wide Span Hypermaxi
- SHFM Sign Holder Modified Shelf Mount
- NW Nominal Width 36", 48", 72", 84", 96" or 108"
(914 mm, 1219 mm, 1829 mm, 2134 mm, 2438 mm or 2743 mm)
- NH Nominal Height 12", 24", 36" or 48"
(305 mm, 610 mm, 914 mm or 1219 mm)

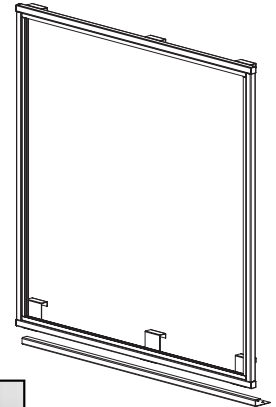


Wide Span Sign Holder Frame

- Mounts onto Maxi Line Gondola
- Projects 2" (51 mm) past nominal depth of shelf, for flush front mounting with cover shelf, order top shelf 2" (51 mm) shorter
- Provides graphic mounting and hides overstock
- Nominal Signage Height 21.75" (552 mm)
- Customer provides signage
- May also be installed on Maxi Line Gondola

WS(OPT1)SHF(NW)(NH)(OPT2)

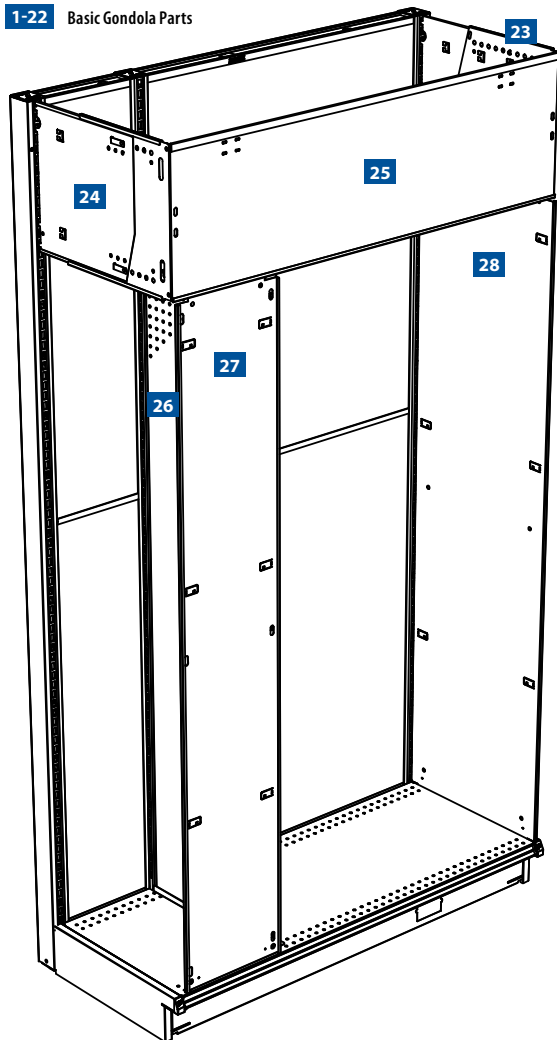
- WS Wide Span
- OPT1 Blank=Wide Span Length
HM=Hypermaxi Length
- SHF Sign Holder Frame
- NW Nominal Width 48", 60", 96", 98", 120" or 144"
(1219 mm, 1524 mm, 2438 mm, 2489 mm, 3048 mm or 3658 mm)
- NH Nominal Height 36" or 48" (914 mm or 1219 mm)
- OPT2 Mounting Options
Blank=Beam Mount
USM=Upper Shelf Mount



Lift and Drop Graphics

This versatile sign channel can be mounted using either fixed or adjustable brackets (directly to the upright, if so desired). With adjustable brackets, the graphic panel can be installed and tilted at either a 90° or 15° angle.

Lift and Drop Canopy Variation 1
Left Hand Wing, Right Hand Panel, Nominal Width 48" x Nominal Depth 19" Maxi Wall End



Basic Gondola Parts (as shown)			
Part Number	Description	Qty.	
1	BU-90	Basic Upright	3
2	VC-90	Metal Upright End Cover	2
3	UCC	Plastic Upright Cap, Clear	3
4	SUS-1810	Standard Upper Shelf	★
5	SUS-318	Standard Upper Shelf	★
6	SBSH-419	Standard Base Shelf with Extra Hat	1
7	KP-4	Kickplate	1
8	BEC-19	Base End Covers	1 Pair
9	BSSIL-18	Base Shoe Straight In Locking	1
10	BSSIL-19	Base Shoe Straight In Locking	2
11	BH-1242	Standard Maxi Line Back	2
12	BH-342	Standard Maxi Line Back	2
13	BXH-1248	Extended Back Panel	2
14	BXH-348	Extended Back Panel	2
15	SC-1	Center Spanner, Galvanized	1
16	SC-3	Center Spanner, Galvanized	1
17	SL-1	Lower Spanner	1
18	SL-3	Lower Spanner	1
19	SS-1	Splicer Spanner	1
20	SS-3	Splicer Spanner	1
21	STL-1	Top Spanner	1
22	STL-3	Top Spanner	1

Lift and Drop Canopy Variation 1 (as shown)			
Part Number	Description	Qty.	
23	LDGHBA140014-24R-F	Lift & Drop Graphics Header Bracket Assembly, Flat	1
24	LDGHBA140014-24L-F	Lift & Drop Graphics Header Bracket Assembly, Flat	1
25	LDGHSC481400	Lift & Drop Graphics Header Sign Channel	1
26	LDGHEF90140018	Lift & Drop Header End Frame	1
27	LDGHSEP90140012	Lift & Drop Graphics Header Signage End Panel (Front)	1
28	LDGHSEPS90140019	Lift & Drop Graphics Header Signage End Panel Side	1

★ As required

23 24 Lift and Drop Graphics Header Bracket Assembly

- Graphic Panel can be installed flat at 90° or tilted down at 15° when using adjustable brackets
- Customer-supplied graphics can wrap around on adjustable returns
- Order left hand and right hand as facing section
- Center uprights can use either left-hand or right-hand bracket
- Graphic sizes: NW x NH
- Sign can be no thicker than 1/16" (2 mm)

LDGHBA(NH)14-24(HAND)(OPT)

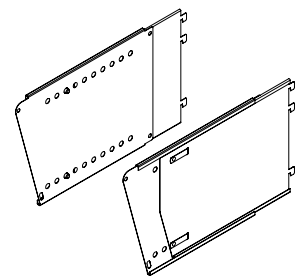
LDGHBA... Lift and Drop Graphics Header Bracket Assembly

- NH.... Nominal Height
 0500=5" (127 mm)
 0600=6" (152 mm)
 0800=8" (203 mm)
 1025=10¼" (260 mm)
 1600=16" (406 mm)

14-24.... Nominal Depth Range 14" to 24"
 (356 mm to 610 mm)

Hand.... R=Right Hand
 L=Left Hand

OPT.... Blank=Standard Downtilt Assembly
 F=Flat



25 Lift and Drop Graphics Header Sign Channel

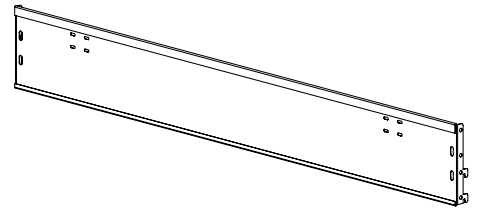
- Can be mounted using adjustable brackets, Lift and Drop Graphics Header Bracket Assembly [LDGHB(NH)(14-24)(HAND)]
- Attaches directly to upright or mounts using Fixed Brackets [SBOEP-(ND)]
- Graphic Panel can be installed flat at 90° or tilted down at 15° when using adjustable brackets
- Customer-supplied graphics can wrap around on adjustable returns
- Graphic size: NW x NH
- Sign can be no thicker than 1/16" (2 mm)

LDGHSC(NW)(NH)

LDGHSC ... Lift and Drop Graphics Header Sign Channel

NW Nominal Width 24", 36", or 48"
(610 mm, 914 mm, or 1219 mm)

NH Nominal Height
0500=5" (127 mm)
0600=6" (152 mm)
0800=8" (203 mm)
1025=10¼" (260 mm)
1600=16" (406 mm)



26 Lift and Drop Graphics Header End Frame

- Mounts in the Basic Upright [BU-(NH)] to create a two-way or three-way end cap
- Works with Lift and Drop Graphics End Panel [LDGHSEP(NH/CH)(ND)]
- Can be used one or two per end cap

LDGHEF(NH/CH)(ND)(EXT)(INT)

LDGH Lift & Drop Graphics Header

EF Signage End Frame

NH/CH Nominal Height/Canopy Height
841025: NH=84"/CH=10¼"
(NH=2134 mm/CH=260 mm)
901400: NH=90"/CH=14"
(NH=2286 mm/CH=3556 mm)

ND Nominal Depth 18"
(457 mm)

EXT Exterior Panel Option
P=Pegboard
H=Hardboard
PU=Pegboard Unpainted
HU=Hardboard Unpainted

INT Interior Panel Option
P=Pegboard
H=Hardboard
PU=Pegboard Unpainted
HU=Hardboard Unpainted



27 Lift and Drop Graphics Header Signage End Panel (Front)

- Works with the Lift and Drop Graphics Header End Frame [LDGHEF(NH/CH)(ND)(EXT)(INT)] to create a two-way or three-way end cap
- Graphics face the front of the end cap
- Easily change out customer-supplied graphics
- Sign can be no thicker than 1/8" (3 mm)

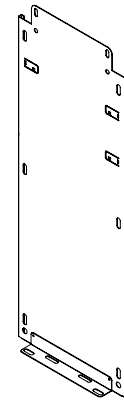
LDGHSEP(NH/CH)(ND)

LDGH Lift & Drop Graphics Header

SEP Signage End Panel (Front)

NH/CH Nominal Height/Canopy Height
841025: NH=84"/CH=10¼"
(NH=2134 mm/CH=260 mm)
901400: NH=90"/CH=14"
(NH=2286 mm/CH=3556 mm)

ND Nominal Depth 12" or 19"
(305 mm or 483 mm)



NH/CH x ND	Graphic Size NH x ND
841025 x 12"	67.94" x 11.75"
841025 x 19"	67.94" x 18.75"
901400 x 12"	69.94" x 11.75"
901400 x 19"	69.94" x 18.75"

28 Lift and Drop Graphics Header Signage End Panel Side

- Works with the Lift and Drop Graphics Header End Frame [LDGHEF(NH/CH)(ND)(EXT)(INT)] to create a two-way or three-way end cap
- Graphics face the side of the end cap
- Easily change out customer-supplied graphics
- Sign can be no thicker than 1/8" (3 mm)

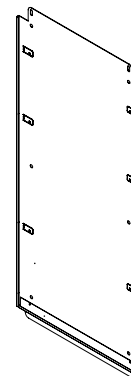
LDGHSEPS(NH/CH)(ND)

LDGH Lift & Drop Graphics Header

SEPS Signage End Panel Side

NH/CH Nominal Height/Canopy Height
841025: NH=84"/CH=10¼"
(NH=2134 mm/CH=260 mm)
901400: NH=90"/CH=14"
(NH=2286 mm/CH=3556 mm)

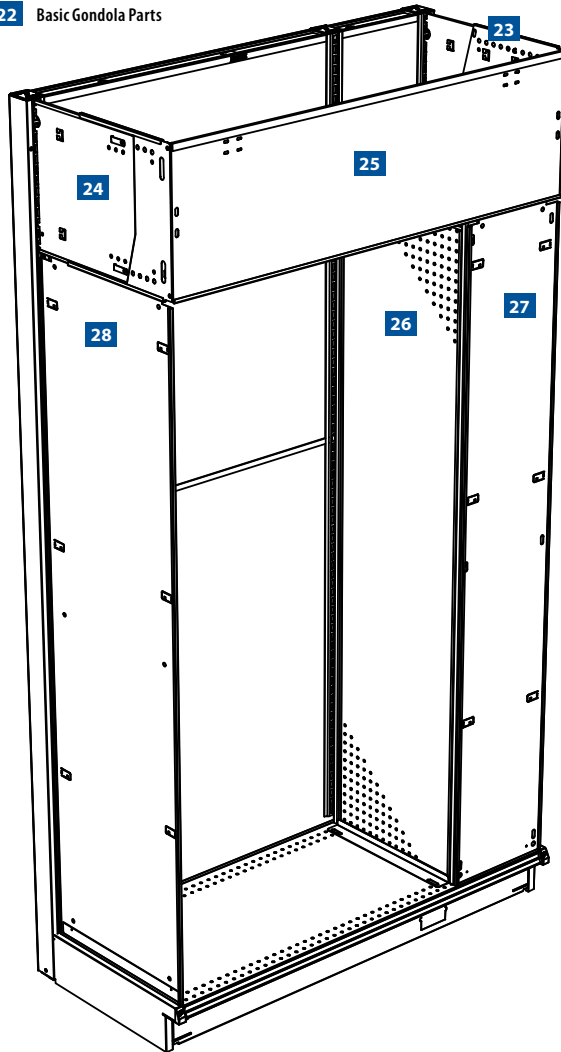
ND Nominal Depth 12" or 19"
(305 mm or 483 mm)



NH/CH x ND	Graphic Size NH x ND
841025 x 12"	67.94" x 11.75"
841025 x 19"	67.94" x 18.75"
901400 x 12"	69.94" x 11.75"
901400 x 19"	69.94" x 18.75"

Lift and Drop Canopy Variation 2 Right Hand Wing, Left Hand Panel, Nominal Width 48" x Nominal Depth 19" Maxi Wall End

1-22 Basic Gondola Parts



Basic Gondola Parts (as shown)			
Part Number	Description	Qty.	
1	BU-90	Basic Upright	3
2	VC-90	Metal Upright End Cover	2
3	UCC	Plastic Upright Cap, Clear	3
4	SUS-1810	Standard Upper Shelf	★
5	SUS-318	Standard Upper Shelf	★
6	SBSH-419	Standard Base Shelf with Extra Hat	1
7	KP-4	Kickplate	1
8	BEC-19	Base End Covers	1 Pair
9	BSSIL-18	Base Shoe Straight In Locking	1
10	BSSIL-19	Base Shoe Straight In Locking	2
11	BH-1242	Standard Maxi Line Back	2
12	BH-342	Standard Maxi Line Back	2
13	BXH-1248	Extended Back Panel	2
14	BXH-348	Extended Back Panel	2
15	SC-1	Center Spanner, Galvanized	1
16	SC-3	Center Spanner, Galvanized	1
17	SL-1	Lower Spanner	1
18	SL-3	Lower Spanner	1
19	SS-1	Splicer Spanner	1
20	SS-3	Splicer Spanner	1
21	STL-1	Top Spanner	1
22	STL-3	Top Spanner	1

Lift and Drop Canopy Variation 2 (as shown)			
Part Number	Description	Qty.	
23	LDGHBA140014-24R-F	Lift & Drop Graphics Header Bracket Assembly, Flat	1
24	LDGHBA140014-24L-F	Lift & Drop Graphics Header Bracket Assembly, Flat	1
25	LDGHSC481400	Lift & Drop Graphics Header Sign Channel	1
26	LDGHEF90140018	Lift & Drop Graphics Header End Frame	1
27	LDGHSEP90140012	Lift & Drop Graphics Header Signage End Panel (Front)	1
28	LDGHSEPS90140019	Lift & Drop Graphics Header Signage End Panel Side	1

★ As required

23 24 Lift and Drop Graphics Header Bracket Assembly

- Graphic Panel can be installed flat at 90° or tilted down at 15° when using adjustable brackets
- Customer-supplied graphics can wrap around on adjustable returns
- Order left hand and right hand as facing section
- Center uprights can use either left-hand or right-hand bracket
- Graphic sizes: NW x NH
- Sign can be no thicker than 1/16" (2 mm)

LDGHBA(NH)14-24(HAND)-(OPT)

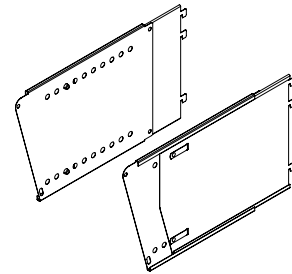
LDGHBA... Lift and Drop Graphics Header Bracket Assembly

NH.... Nominal Height
 0500=5" (127 mm)
 0600=6" (152 mm)
 0800=8" (203 mm)
 1025=10¼" (260 mm)
 1600=16" (406 mm)

14-24.... Nominal Depth Range 14" to 24"
 (356 mm to 610 mm)

Hand.... R=Right Hand
 L=Left Hand

OPT.... Blank=Standard Downtilt Assembly
 F=Flat

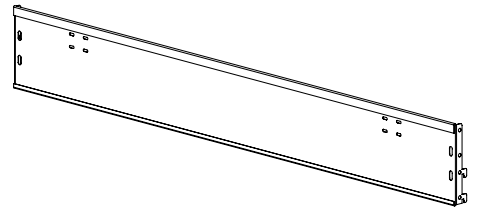


25 Lift and Drop Graphics Header Sign Channel

- Can be mounted using adjustable brackets, Lift and Drop Graphics Header Bracket Assembly [LDGHB(NH)(14-24)(HAND)]
- Attaches directly to upright or mounts using Fixed Brackets [SBOEPP-(ND)]
- Graphic Panel can be installed flat at 90° or tilted down at 15° when using adjustable brackets
- Customer-supplied graphics can wrap around on adjustable returns
- Graphic size: NW x NH
- Sign can be no thicker than 1/16" (2 mm)

LDGHSC(NW)(NH)

LDGHSC ... Lift and Drop Graphics Header Sign Channel
 NW ... Nominal Width 24", 36", or 48" (610 mm, 914 mm, or 1219 mm)
 NH ... Nominal Height
 0500=5" (127 mm)
 0600=6" (152 mm)
 0800=8" (203 mm)
 1025=10¼" (260 mm)
 1600=16" (406 mm)

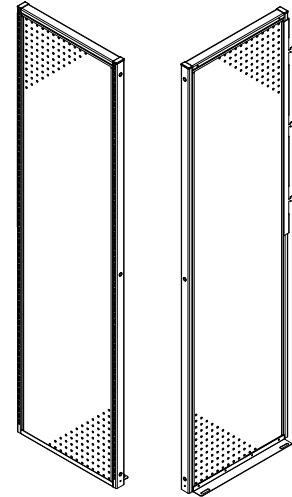


26 Lift and Drop Graphics Header End Frame

- Mounts in the Basic Upright [BU-(NH)] to create a two-way or three-way end cap
- Works with Lift and Drop Graphics End Panel
- Can be used one or two per end cap

LDGHEF(NH/CH)(ND)(EXT)(INT)

LDGH ... Lift & Drop Graphics Header
 EF ... Signage End Frame
 NH/CH ... Nominal Height/Canopy Height
841025: NH=84"/CH=10¼" (NH=2134 mm/CH=260 mm)
901400: NH=90"/CH=14" (NH=2286 mm/CH=3556 mm)
 ND ... Nominal Depth 18" (457 mm)
 EXT ... Exterior Panel Option
 P=Pegboard
 H=Hardboard
 PU=Pegboard Unpainted
 HU=Hardboard Unpainted
 INT ... Interior Panel Option
 P=Pegboard
 H=Hardboard
 PU=Pegboard Unpainted
 HU=Hardboard Unpainted

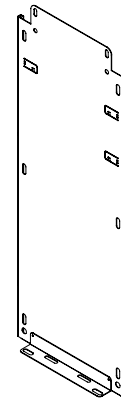


27 Lift and Drop Graphics Header Signage End Panel (Front)

- Works with the Lift and Drop Graphics Header End Frame [LDGHEF(NH/CH)(ND)(EXT)(INT)] to create a two-way or three-way end cap
- Graphics face the front of the end cap
- Easily change out customer-supplied graphics
- Sign can be no thicker than 3/8" (3 mm)

LDGHSEP(NH/CH)(ND)

LDGH ... Lift & Drop Graphics Header
 SEP ... Signage End Panel (Front)
 NH/CH ... Nominal Height/Canopy Height
841025: NH=84"/CH=10¼" (NH=2134 mm/CH=260 mm)
901400: NH=90"/CH=14" (NH=2286 mm/CH=3556 mm)
 ND ... Nominal Depth 12" or 19" (305 mm or 483 mm)



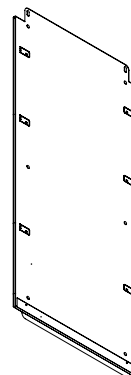
NH/CH x ND	Graphic Size NH x ND
841025 x 12"	67.94" x 11.75"
841025 x 19"	67.94" x 18.75"
901400 x 12"	69.94" x 11.75"
901400 x 19"	69.94" x 18.75"

28 Lift and Drop Graphics Header Signage End Panel Side

- Works with the Lift and Drop Graphics Header End Frame [LDGHEF(NH/CH)(ND)(EXT)(INT)] to create a two-way or three-way end cap
- Graphics face the side of the end cap
- Easily change out customer-supplied graphics
- Sign can be no thicker than 3/8" (3 mm)

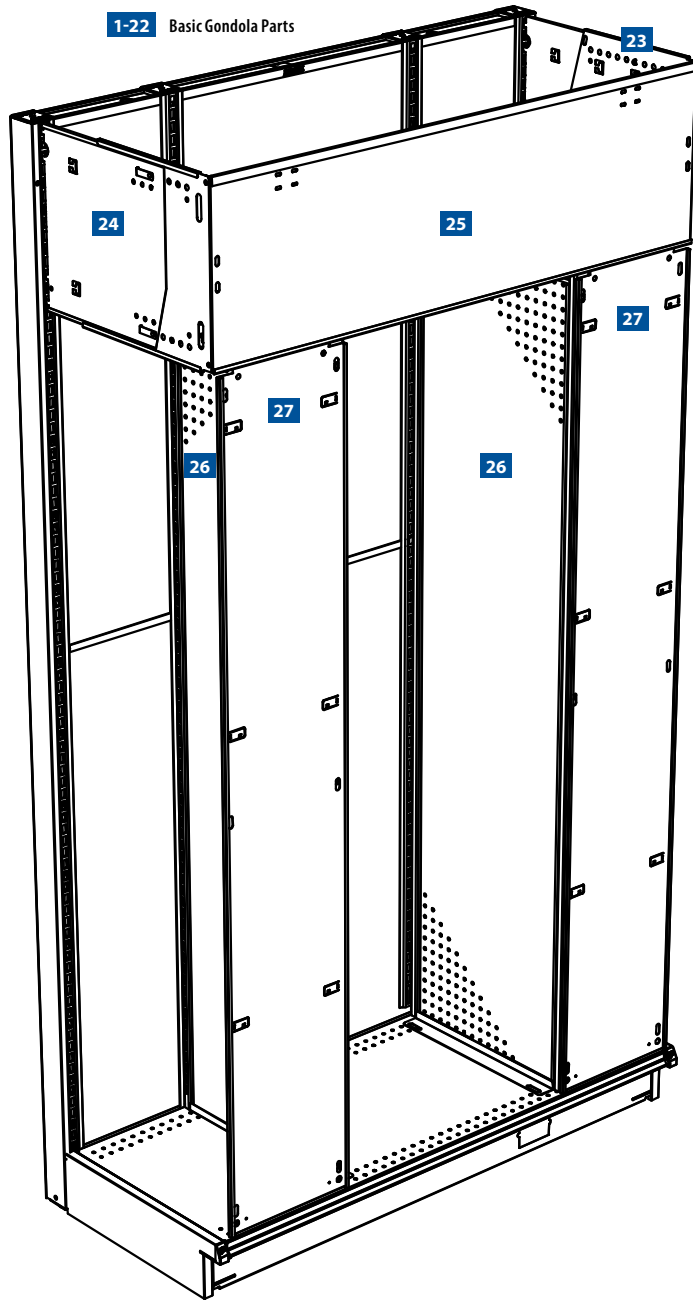
LDGHSEPS(NH/CH)(ND)

LDGH ... Lift & Drop Graphics Header
 SEPS ... Signage End Panel Side
 NH/CH ... Nominal Height/Canopy Height
841025: NH=84"/CH=10¼" (NH=2134 mm/CH=260 mm)
901400: NH=90"/CH=14" (NH=2286 mm/CH=3556 mm)
 ND ... Nominal Depth 12" or 19" (305 mm or 483 mm)



NH/CH x ND	Graphic Size NH x ND
841025 x 12"	67.94" x 11.75"
841025 x 19"	67.94" x 18.75"
901400 x 12"	69.94" x 11.75"
901400 x 19"	69.94" x 18.75"

Lift and Drop Canopy Variation 3 Double Wing, Nominal Width 48" x Nominal Depth 19" Maxi Wall End



Basic Gondola Parts (as shown)			
Part Number	Description		Qty.
1	BU-90	Basic Upright	4
2	VC-90	Metal Upright End Cover	2
3	UCC	Plastic Upright Cap, Clear	4
4	SUS-1810	Standard Upper Shelf	★
5	SUS-218	Standard Upper Shelf	★
6	SBSH-419	Standard Base Shelf with Extra Hat	1
7	KP-4	Kickplate	1
8	BEC-19	Base End Covers	1 Pair
9	BSSIL-18	Base Shoe Straight In Locking	2
10	BSSIL-19	Base Shoe Straight In Locking	2
11	BH-1242	Standard Maxi Line Back	4
12	BH-242	Standard Maxi Line Back	2
13	BXH-1248	Extended Back Panel	4
14	BXH-248	Extended Back Panel	2
15	SC-1	Center Spanner, Galvanized	2
16	SC-2	Center Spanner, Galvanized	1
17	SL-1	Lower Spanner	2
18	SL-2	Lower Spanner	1
19	SS-1	Splicer Spanner	2
20	SS-2	Splicer Spanner	1
21	STL-1	Top Spanner	2
22	STL-2	Top Spanner	1

Lift and Drop Canopy Variation 3 (as shown)			
Part Number	Description		Qty.
23	LDGHBA140014-24R-F	Lift & Drop Graphics Header Bracket Assembly, Flat	1
24	LDGHBA140014-24L-F	Lift & Drop Graphics Header Bracket Assembly, Flat	1
25	LDGHSC481400	Lift & Drop Graphics Header Sign Channel	1
26	LDGHEF90140018	Lift & Drop Header End Frame	2
27	LDGHSEP90140012	Lift & Drop Graphics Header Signage End Panel (Front)	2

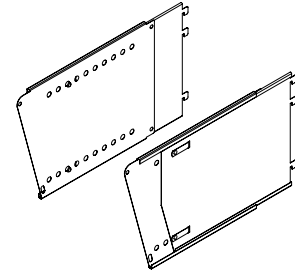
★ As required

23 24 Lift and Drop Graphics Header Bracket Assembly

- Graphic Panel can be installed flat at 90° or tilted down at 15° when using adjustable brackets
- Customer-supplied graphics can wrap around on adjustable returns
- Order left hand and right hand as facing section
- Center uprights can use either left-hand or right-hand bracket
- Graphic sizes: NW x NH
- Sign can be no thicker than 1/16" (2 mm)

LDGHBA(NH)14-24(HAND)-(OPT)

LDGHBA... Lift and Drop Graphics Header Bracket Assembly
 NH Nominal Height
 0500=5" (127 mm)
 0600=6" (152 mm)
 0800=8" (203 mm)
 1025=10¼" (260 mm)
 1600=16" (406 mm)
 14-24.... Nominal Depth Range 14" to 24" (356 mm to 610 mm)
 Hand R=Right Hand
 L=Left Hand
 OPT Blank=Standard Downtilt Assembly
 F=Flat

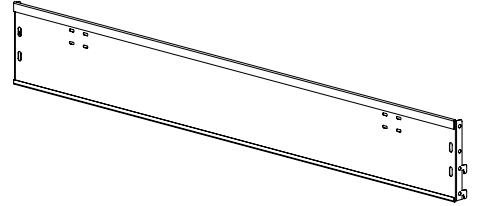


25 Lift and Drop Graphics Header Sign Channel

- Can be mounted using adjustable brackets, Lift and Drop Graphics Header Bracket Assembly [LDGHBA(NH)(14-24)(HAND)]
- Attaches directly to upright or mounts using Fixed Brackets [SBOEPP-(ND)]
- Graphic Panel can be installed flat at 90° or tilted down at 15° when using adjustable brackets
- Customer-supplied graphics can wrap around on adjustable returns
- Graphic sizes: NW x NH
- Sign can be no thicker than 1/16" (2 mm)

LDGHSC(NW)(NH)

LDGHSC... Lift and Drop Graphics Header Sign Channel
 NW Nominal Width 24", 36" or 48" (610 mm, 914 mm or 1219 mm)
 NH Nominal Height
 0500=5" (127 mm)
 0600=6" (152 mm)
 0800=8" (203 mm)
 1025=10¼" (260 mm)
 1600=16" (406 mm)



26 Lift and Drop Graphics Header End Frame

- Mounts in the Basic Upright [BU-(NH)] to create a two-way or three-way end cap
- Works with Lift and Drop Graphics End Panel [LDGHSEP(NH/CH)(ND)]
- Can be used one or two per end cap

LDGHEF(NH/CH)(ND)(EXT)(INT)

LDGH Lift & Drop Graphics Header
 EF Signage End Frame
 NH/CH Nominal Height/Canopy Height
841025: NH=84"/CH=10¼"
 (NH=2134 mm/CH=260 mm)
901400: NH=90"/CH=14"
 (NH=2286 mm/CH=3556 mm)
 ND Nominal Depth 18" (457 mm)
 EXT Exterior Panel Option
 P=Pegboard
 H=Hardboard
 PU=Pegboard Unpainted
 HU=Hardboard Unpainted
 INT Interior Panel Option
 P=Pegboard
 H=Hardboard
 PU=Pegboard Unpainted
 HU=Hardboard Unpainted

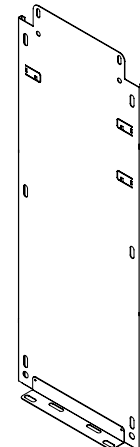


27 Lift and Drop Graphics Header Signage End Panel (Front)

- Works with the Lift and Drop Graphics Header End Frame [LDGHEF(NH/CH)(ND)(EXT)(INT)] to create a two-way or three-way end cap
- Graphics face the front of the end cap
- Easily change out customer-supplied graphics
- Sign can be no thicker than 1/8" (3 mm)

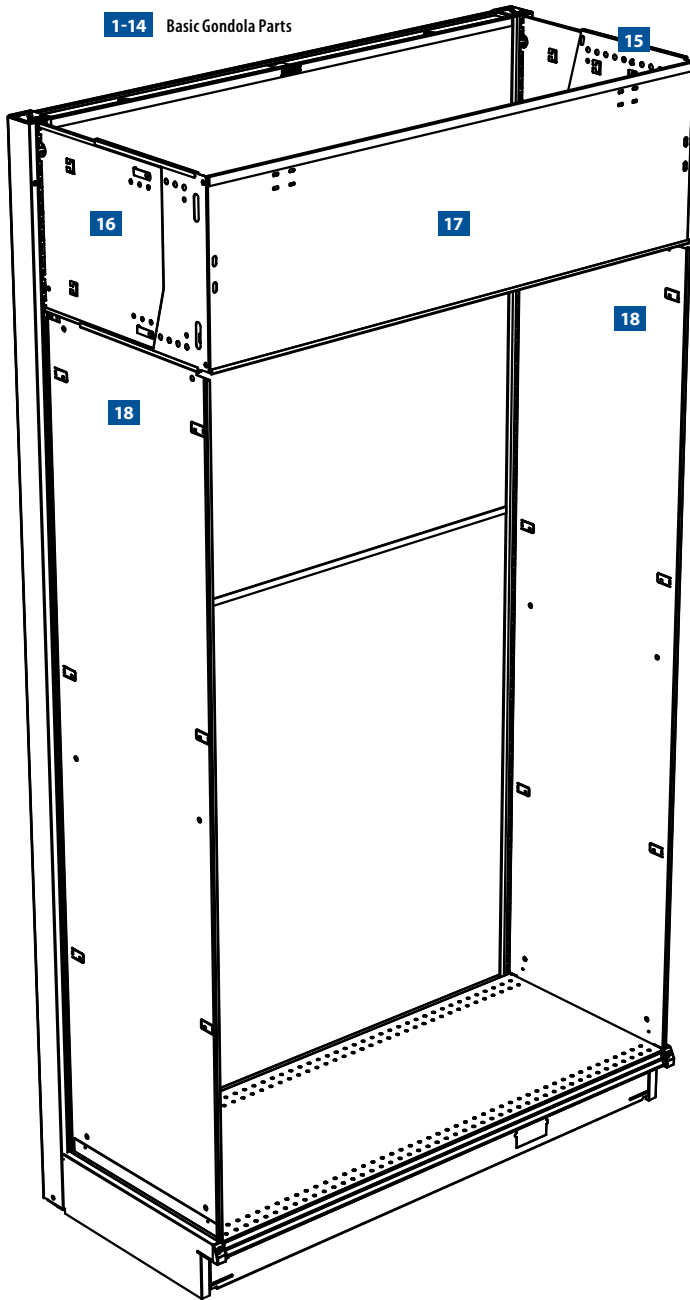
LDGHSEP(NH/CH)(ND)

LDGH Lift & Drop Graphics Header
 SEP Signage End Panel (Front)
 NH/CH Nominal Height/Canopy Height
841025: NH=84"/CH=10¼"
 (NH=2134 mm/CH=260 mm)
901400: NH=90"/CH=14"
 (NH=2286 mm/CH=3556 mm)
 ND Nominal Depth 12" or 19" (305 mm or 483 mm)



NH/CH x ND	Graphic Size NH x ND
841025 x 12"	67.94" x 11.75"
841025 x 19"	67.94" x 18.75"
901400 x 12"	69.94" x 11.75"
901400 x 19"	69.94" x 18.75"

Lift and Drop Canopy Variation 4 Double Side Panel, Nominal Width 48" x Nominal Depth 19" Maxi Wall End



1-14 Basic Gondola Parts

Basic Gondola Parts (as shown)		
Part Number	Description	Qty.
1	BU-90 Basic Upright	2
2	VC-90 Metal Upright End Cover	2
3	UCC Plastic Upright Cap, Clear	2
4	SUS-418 Standard Upper Shelf	★
5	SBSH-419 Standard Base Shelf with Extra Hat	1
6	KP-4 Kickplate	1
7	BEC-19 Base End Covers	1 Pair
8	BSSIL-19 Base Shoe Straight In Locking	2
9	BH-442 Standard Maxi Line Back	2
10	BXH-448 Extended Back Panel	2
11	SC-4 Center Spanner, Galvanized	1
12	SL-4 Lower Spanner	1
13	SS-4 Splicer Spanner	1
14	STL-4 Top Spanner	1

Lift and Drop Canopy Variation 4 (as shown)		
Part Number	Description	Qty.
15	LDGHBA140014-24R-F Lift & Drop Graphics Header Bracket Assembly, Flat	1
16	LDGHBA140014-24L-F Lift & Drop Graphics Header Bracket Assembly, Flat	1
17	LDGHSC481400 Lift & Drop Graphics Header Sign Channel	1
18	LDGHSEPS90140019 Lift & Drop Graphics Header Signage End Panel Side	2

★ As required

15 16 Lift and Drop Graphics Header Bracket Assembly

- Graphic Panel can be installed flat at 90° or tilted down at 15° when using adjustable brackets
- Customer-supplied graphics can wrap around on adjustable returns
- Order left hand and right hand as facing section
- Center uprights can use either left-hand or right-hand bracket
- Graphic sizes: NW x NH
- Sign can be no thicker than 1/16" (2 mm)

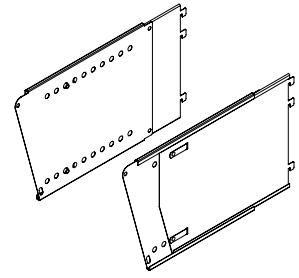
LDGHBA(NH)14-24(HAND)

LDGHBA... Lift and Drop Graphics Header Bracket Assembly

NH.... Nominal Height
 0500=5" (127 mm)
 0600=6" (152 mm)
 0800=8" (203 mm)
 1025=10¼" (260 mm)
 1600=16" (406 mm)

14-24.... Nominal Depth Range 14" to 24"
 (356 mm to 610 mm)

Hand.... R=Right Hand
 L=Left Hand



17 Lift and Drop Graphics Header Sign Channel

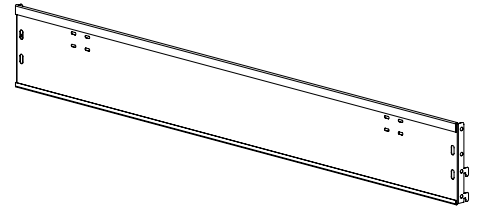
- Can be mounted using adjustable brackets,
- Lift and Drop Graphics Header Bracket Assembly [LDGHBA(NH)(14-24)(HAND)]
- Attaches directly to upright or mounts using Fixed Brackets [SBOEPP-(ND)]
- Graphic Panel can be installed flat at 90° or tilted down at 15° when using adjustable brackets
- Customer-supplied graphics can wrap around on adjustable returns
- Graphic size: NW x NH
- Sign can be no thicker than 1/16" (2 mm)

LDGHSC(NW)(NH)

LDGHSC... Lift and Drop Graphics Header Sign Channel

NW.... Nominal Width 24", 36", or 48"
 (610 mm, 914 mm, or 1219 mm)

NH.... Nominal Height
 0500=5" (127 mm)
 0600=6" (152 mm)
 0800=8" (203 mm)
 1025=10¼" (260 mm)
 1600=16" (406 mm)



18 Lift and Drop Graphics Header Signage End Panel Side

- Works with the Lift and Drop Graphics Header End Frame [LDGHEF(NH/CH)(ND)(EXT)(INT)] to create a two-way or three-way end cap
- Graphics face the side of the end cap
- Easily change out customer-supplied graphics
- Sign can be no thicker than 1/8" (3 mm)

LDGHSEPS(NH/CH)(ND)

LDGH.... Lift & Drop Graphics Header

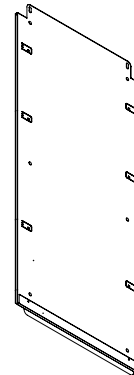
SEPS.... Signage End Panel Side

NH/CH.... Nominal Height/Canopy Height

841025: NH=84"/CH=10¼"
 (NH=2134 mm/CH=260 mm)

901400: NH=90"/CH=14"
 (NH=2286 mm/CH=3556 mm)

ND.... Nominal Depth 12" or 19"
 (305 mm or 483 mm)



NH/CH x ND	Graphic Size NH x ND
841025 x 12"	67.94" x 11.75"
841025 x 19"	67.94" x 18.75"
901400 x 12"	69.94" x 11.75"
901400 x 19"	69.94" x 18.75"

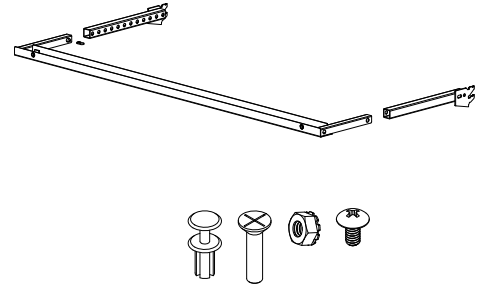
Optional Accessories

Lift and Drop Sign Channel Crossbar with Adjustable Bracket

- Optional mounting system for Lift and Drop Graphics Header Sign Channel [LDGHSC(NW)(NH)]
- CANNOT be used with Lift and Drop
- Graphics Header Bracket Assembly [LDGHBA(NH)14-24(HAND)] or Lift and
- Drop Graphics Header Signage End Panel Side [LDGHSEP(NH/CH)(ND)]
- Hardware pack included, two of each items:
 - Plastic Fastener
 - Machine Screw 1/4-20X1
 - Lock Nut 1/4-20
 - Machine Screw 1/4-20X1/2

LDSCCBABV2(NW)(ND)

- LD Lift & Drop
 SCCBAB Sign Channel Crossbar with Adjustable Bracket
 V2 Version Two
 NW Nominal Width 24", 30", 36", 42" or 48"
 (610 mm, 762 mm, 914 mm, 1067 mm or 1219 mm)
 ND Nominal Depth
 1824=18" to 24" (457 mm to 610 mm)
 2430=24" to 30" (610 mm to 762 mm)



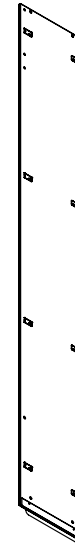
Lift and Drop Graphics Holder Wall Signage End Panel

- Easy-to-install signs can be placed in the end panel from the front by bowing in or dropped in from the top of the panel
- Easy-bend tab bracket eliminates the need to order left-hand and right-hand panel
- Graphic sizes:
 - Sign height=nominal height-base height (5" or 7", 127 mm or 178 mm)
 - Sign can be no thicker than 1/16" (2 mm)
 - Sign can be no thicker than .260" (6 mm)
- The Lift and Drop Graphics Header Sign Channel [LDGHSC(NW)(NH)] can be mounted to the top front of the panels

LDGHWSEP(NH)(ND)-(BH)

- LDGH Lift and Drop Graphics
 WSEP Wall Signage End Panel
 NH Nominal Height 60", 72", 84" or 90"
 (1524 mm, 1829 mm, 2134 mm or 2286 mm)
 ND 12" or 18" (305 mm or 457 mm)
 BH Base Height
 Blank=5" (127 mm)
 7=7" (178 mm)

NOTE!
For use without header.

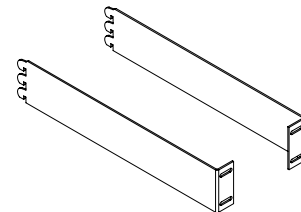


Straight in Bracket

- Can be used with Lift and Drop Graphics Header Sign Channel LDGHSC(NW)(NH)
- Order left hand and right hand as facing section
- Hardware pack included
- Order in pairs

SBOEPP-(ND)

- SBOEPP Straight in Bracket
 ND Nominal Depth
 04" to 24" in 2" increments
 (102 mm to 610 mm in 51 mm increments)



Prices All prices are subject to change without notice. Every effort will be made to give advance notice of any increase through notification from the home office. The customer will receive an acknowledgement showing prevailing prices at the time the order is processed. State or other sales or use taxes, freight and surcharges will be charged when applicable. Freight quotes may be provided based upon information available at time of quote, but are not guaranteed. Active freight charges will be billed if applicable. When market conditions dictate, a surcharge may be implemented. All quotations automatically expire at the end of 30 days.

Terms Cash in advance prior to production or net 30 days if open account status is approved by Madix Credit Department. MasterCard, Visa, and American Express are accepted.

Acceptance All orders, contracts, and agreements are subject to Madix's acceptance and approval. Madix shall not be liable for any delay in the performance of any order, contract, in the delivery of any goods, or for any damages resulting from such delay, when such delay is directly or indirectly caused by or due to fire, flood, accident, riot, act of God, war, governmental decree or order, strike, labor difficulties, shortage of labor, fuel, power, material or supplies, transportation delay or any other delay or causes (whether or not similar to any of those herein before specified) beyond our reasonable control. Order acceptance will be per the conditions and terms outlined in Madix's acknowledgement. Mailing of the acknowledgement will signify Madix's acceptance of the order.

Minimum Charge Orders are subject to a minimum charge of \$50.00 net (merchandise only) per shipping destination.

Changes and Cancellations Customer requested changes and cancellations are subject to approval by Madix. Every reasonable effort will be made to accommodate these requests without additional cost to the customer. Any manufacturing or engineering costs incurred will be charged to the customer. Orders produced and delayed for more than one week may incur charges for demurrage, unloading, or other storage costs. Madix will advise customers of the estimated charges at the time changes or cancellations are made.

Shipments Method and route of shipment are at Madix's discretion unless Madix is furnished with complete shipping instructions at least ten (10) days before the scheduled shipping date. Freight is FOB/EXW Madix shipping point.

Freight Claims For common carrier shipments, claims must be made directly with the carrier by the recipient. Listed are the types of losses which may occur, and your responsibility in handling them:

Loss of Freight: It is the receiver's responsibility to count the freight at the time of delivery. Any exception must be noted on the carrier's delivery receipt at time of delivery.

Damage of Freight: As with a loss of freight, damage of freight must be noted on the carrier's delivery receipt at the time of delivery. It is the receiver's responsibility to make sure that the freight is inspected for visible damage and that the number of pieces damaged is marked on the carrier's delivery receipt. Failure to note visible damage at the time of delivery will result in non-payment of a damage freight claim. Salvage must be held for the carrier.

Concealed Damage: If goods are received in apparently good condition but there is concealed damage, it is the customer's responsibility to contact your Madix Service Representative within 15 calendar days from delivery. Customer must keep the product and the packaging so that an inspection may be conducted by the carrier. Failure to handle a concealed damage claim in this manner could greatly reduce the amount recovered from the carrier.

Returned Goods Returned Goods requests must be submitted to Madix, Inc. within 60 days after receipt of product. Authorization must be in writing on Madix's RGA (Return Goods Authorization) form. Goods must be received within 30 days of RGA issue date for credit. Customer is responsible for delivery of authorized returns to Madix designated location in condition originally received. Only Code A products finished in returnable colors as indicated on the finish policy pages will be considered for return, and only items in unused, in resalable condition, and in the original packaging. No special size, color, or specially manufactured parts or products are eligible for return unless sent to the customer as the result of an error by Madix. Only merchandise listed on the RGA will be accepted for conditional return. Credit will not be issued for that portion of merchandise that is not considered resalable. A handling and restocking charge of 25% of the invoice price will be charged for all approved returns. Submit requests to your Madix Sales Representative or Customer Service Department prior to returning any merchandise. All returns must have the customer name and Madix RGA number prominently displayed on each package. Product to be shipped prepaid at customer's expense unless prior approval has been received from an authorized Madix Sales Representative.

Warranty We warrant to the original purchaser that all products manufactured by Madix are free from defects in material and workmanship. This warranty is invalid if products or parts are modified or used in a manner other than the intended purpose. Our obligation under this warranty is limited to repairing or replacing of any part or parts which shall, within one (1) year after delivery to the original purchaser, be demonstrated to be defective under normal use and service. This warranty is in lieu of all other warranties, expressed or implied, and of all other obligations or liabilities of any kind on Madix's part, and no modification of this warranty shall be valid or binding unless in writing and signed by an officer of Madix, Inc.

Production Madix fixtures are manufactured utilizing the most current technology of highly automated systems with process control techniques. Skilled craftsmanship, combined with automatic presses, roll forming machines, multi-spot welders, conveyers, finishing equipment and thorough inspections produce store fixtures of the highest quality.

Upright Carefully engineered of heavy gauge, high quality steel components, the UPRIGHT is slotted one inch on center for maximum flexibility, shelf adjustability and use of available space. Standard heights range from 36" through 96" with built-in leveler. For the finishing touch at the end of the shelving run, the snap-on UPRIGHT END COVER is made of durable, scuff and impact resistant plastic or heavy gauge metal. The UPRIGHT CAP, made of high impact plastic, has provision for a sign holder.

Base Shoe The five inch low BASE SHOE features exclusive "I" beam design, engineered of projection welded high strength steel parts insuring maximum load capacity. Snaps securely into upright with leveler and electrical access allowing for quick error free installation. For the finished look, the one piece slip on BASE END COVER is made with a high impact plastic nose reinforcement to protect base shelf tag molding.

Spanners Snap-in support SPANNERS keep uprights at equal spacing and hold the back panels rigid. Each spanner has knockouts for electrical access and telescoping uprights.

Back Panels High density hardboard BACKS fit flush to the face of the upright. A wide variety of finishes include solid, pegboard and wood grain in a wide assortment of optional colors. Mirrors and open backs are also available.

Kickplate Fully floating feature of kickplate allows flush fit against uneven floors, snaps in and out without disturbing base shelf for easy cleaning. Convenient knockout accommodates electrical access.

Base and Upper Shelves Steel base shelves feature lock tabs to insure quick installation and precision alignment. A double row of 1/4" inch perforations on the front and rear edge makes any form for binning possible. Slim bracket, high tensile design with flat or 15 degree downslope upper shelf positions allow for maximum merchandise visibility. Integrally formed price tag molding accommodates 11/4" tag. Upper shelves available in 8", 10", 12", 14", 16", 20", 22", 24", 26", 28", and 30" depths. Base shelves available in 12", 14", 16", 18", 20", 22" 24", 26", 28" and 30" depths.

Shelf Loading The recommended load capacity for upper shelves is based on evenly distributed weight. Capacities are reduced by 35% when front half is loaded and reflect rated maximum load. Load capacities are shown in the General Information Section under Shelf Loading.

Baked Enamel, Powder Coat Finishes All metal parts are finished with a specially formulated high solids or powder which are electrostatically bonded in a unique multi-stage process, to insure the highest quality finish. Aerosol cans of Touch-up paint are available in Madix's standard and optional colors. FAA regulations prohibit the shipment of this product by air or in export containers by air or ocean to countries outside the United States.

Product Maintenance When necessary to clean Madix shelving, use a non-abrasive mild detergent and warm water, followed by thorough drying. The use of a cloth made of a soft white cotton material is strongly recommended. The use of cleaning products that contain abrasive, bleach, or strong solvents, such as ketones, ethers, etc. will result in damage to the finish. The damage is most severe when these harsh cleaning agents are used on colors which contain leafing aluminum pigment such as powder chrome, silver vein, and other "vein" type finishes. The aluminum in these coatings resides at the surface of the finish and is therefore susceptible to damage by the harsh cleaning agents. As an alternative to the mild detergent, cleaners with ingredients similar to those found in products such as 409, Fantastik, and Simple Green can be used. Caution! Cleaners having ingredients similar to those found in Ajax, Borax, Comet, etc. should be avoided as finish damage could result.

Codes In your planning stage, consult with local municipal engineers to determine what codes and restrictions will be applicable in the locations where the shelving will be used. Codes may include: state, local, fire, building, and health and safety codes. Seismic requirements may apply in some locations. For example, in most locations fire codes state that fixtures need to be at least 18 inches below the sprinklers.

Shelving Selection Take into consideration the load that is expected not only on each shelf but also on the unit as a whole. Take into account the upright capacity. Refer to the load capacity information that is in the Madix Standard Catalog. Madix shelves are rated using an evenly distributed load. Do not install shelves or accessories that extend beyond the depth of the Base Shelves. Consider making the Base Shelves and low height fixtures a contrasting color from the floor's color to prevent potential tripping hazards. Do not use Madix parts or accessories for any purpose other than originally intended by Madix.

Shelving Installation Initial installation or relocation of Madix shelving should be supervised by qualified personnel. Madix products should be installed according to Madix's specifications. Madix's installation sequence must be followed for assembly and leveling. An improperly installed store fixture has a poor appearance and may cause a dangerous condition. Be especially careful when leveling fixtures with offset loads in which one side of the fixture has a considerably heavier load than the other side. Dismantling and reassembling used Madix shelving can be dangerous if the installers who are doing the work leave out parts, use damaged parts, or do not reassemble the product by Madix's specifications. Do not alter, modify, or structurally change any shelving component. Do not move assembled shelving. Only parts and accessories that are produced and supplied by Madix are covered by the Madix warranty. Do not assemble Madix fixtures with parts from other manufacturers. Under no circumstances should you use damaged parts. When assembling Gondola/Wall Shelving, install Kickplates to protect the Base Shoes from floor cleaning equipment and to offset the possible bumping and misalignment of the shelving runs. Do not install shelves or accessories on the sides of wall sections or any section that is not supported by Base Shoes. Use caution when handling and transporting shelving parts. Be careful when cutting shrink wrap from pallets because the shelving parts can dislodge from the wrap and fall. Cut the wrap gradually from the top, only as much as you need to remove the product from the top. Two common hazards while installing store fixtures are: employees hurting themselves with improper types of box cutters and employees putting boxes on the floor and then tripping over them.

Anchoring and Floors Depending on code requirements and Madix's specifications, some products must be anchored to the walls and/or floors. Do not lean tall or heavy objects against unanchored shelving systems. Retailers must consider the type of floor upon which the shelving will be installed.

Impact Loading Impact during the loading and unloading of merchandise can create an adverse loading situation and may result in damage to or failure of the Madix shelving. Do not walk or climb on Madix shelving.

Overturning Overloading the top portion of the shelving, non-uniform loading, out-of-plumb installation, and impact can cause shelving to overturn. Improperly installed Madix shelving with offset loads can cause store fixtures to collapse. Carefully follow Madix's installation instructions in order to prevent shelving from overturning.

Additional Shelving Safety Pointers Product loading instructions are included with each Madix order. Retailers must make merchandisers aware of the product's load limitations and the dangers of overloading the shelving. Remove any merchandise or overstock before attempting to move Madix shelving. Periodically inspect your Madix shelving for damaged or loose parts. Make sure that shelves and accessories are properly seated in the slotting or perforations. Make sure that shelves and accessories are not overloaded. As merchandising changes, beware of creating offset loads on shelving runs that are not properly leveled. Look for leveling warning signs such as increased gaps between shelves or accessories that may indicate that the shelving runs need re-leveling. Damage to Madix shelving is dangerous. In some cases, the shelving should be unloaded immediately and repaired or replaced before returning to service. Re-level fixtures that you have bumped or moved. Incorporate safety into your merchandising strategy. When possible, merchandise the heavier products on the lower shelves. If the merchandise will not fit on the Madix shelves and there is a replenishment cycle, make sure that the cycle is a safe one. Make sure that merchandise and overstock are properly stacked and maintained so that items will not fall into the aisles. Assure that customers who handle merchandise or overstock will not push product from one side of the Madix fixture to the other side where people could be injured from falling merchandise. Safely secure overstock that is placed on Madix shelves overhead. Measure the difficulty that your employees have in retrieving overstock, and consider whether employees or customers could be injured if the product happens to fall from the shelving units. Teach employees and inform customers that Madix shelves should never be used as ladders to reach higher shelves. Ladders should be clearly marked for employees use only and should not be left unattended, or customers will try to remove stock on higher shelves by themselves. Notify customers to ask for assistance when they need product that is out of their reach.

POSSESSION OF THIS CATALOG IS NOT AUTHORIZATION TO SELL MADIX PRODUCTS!

ALL FACTORY QUOTES ARE GOOD FOR 30 DAYS ONLY.

Finish Policy for Metal Products

Standard Colors, Returnable– Code A Madix standard returnable colors for display shelving are Sahara, Blue Gray, Oyster, Snow White, and Satin Black. Madix standard returnable colors for wire products only are Powder Chrome and Silver Vein. All catalog items are priced in standard color.

No Charge Colors (Non-Returnable)– Code B Madix non-returnable colors offered at the standard price are Chocolate, Dove Gray, Dover White, Fashion Gray, Skyline Gray and Tru Gray. All catalog items are priced in standard color.

Optional Colors-Level I Finishes (Non-Returnable)– Code B Madix offers optional colors, also known as Grade I Finishes, at additional charge: Bright Orange, Hollyberry, Hunter Green, Mandarin, Neon Blue, Spectrum Blue, Spectrum Green, Spectrum Red and Valencia. Products painted with these colors are non-returnable.

Metal Components: \$350.00 line charge plus published per-piece charge. **Metal Back panels:** \$350.00 line charge plus published per-piece charge.

Special Colors– Code C Use line change charge plus per piece charge supplied by customer service. Special colors are non-returnable.

Pricing For Levels II To IV:

Level II: 1.6 x Optional Color Upcharge. **Example:** Optional upcharge for SUS is \$1.50; upcharge with Level II finish will be \$2.40.

Level III: 2.8 x Optional Color Upcharge. **Example:** Optional upcharge for SUS is \$1.50; upcharge with Level III finish will be \$4.20.

Level IV: 3.8 x Optional Color Upcharge. **Example:** Optional upcharge for SUS is \$1.50; upcharge with Level IV finish will be \$5.70.

Metal Components: \$500.00 line charge plus published per-piece charge. **Back panels:** \$350.00 line charge plus published per-piece charge.

Maintenance for Metal Products

Baked Enamel and Powder Coated Finishes All metal parts are finished with a specially formulated high solids or powder which are electrostatically bonded in a unique multi-stage process to insure the highest quality finish. Aerosol cans of touch-up paint are available in Madix's standard and optional colors. FAA regulations prohibit the shipment of this product by air or in export containers by air or ocean to countries outside the United States.

Product Maintenance When cleaning Madix shelving, use a non-abrasive mild detergent and warm water, followed by thorough drying. Using a soft white cotton cloth is strongly recommended. Cleaning products containing abrasives, bleach, or strong solvents will result in damage to the finish, especially when used on colors containing leafing aluminum pigment, such as powder chrome or vein-type finishes.

Finish Policy for Wood Products

High Pressure Laminate The terms "laminates" or "HPL" are commonly applied to this material which consists of multiple layers of paper infused with phenolic resin and topped by a finish paper coated with clear melamine resin, all totally bonded under high pressure and heat. The finished sheet has extremely high wear and impact resistance.

Customer Specified High Pressure Laminate Madix coding is based on Wilsonart availability. Laminates other than Wilsonart may require additional lead time.

- Customer specified laminates add \$100.00 per pattern, per order
- Additional charge will apply based on the laminate grade that is chosen

Laminates that are not from a laminate manufacturer's standard samples (metallics, heavy textures, wet looks, core edge, special prints) will require a special quote. Contact Customer Service for specific pricing on laminates not listed above.

Thermofused Panels Thermofused panels are ideal for non-wear surfaces and have substantial impact and wear characteristics compared to melamine panels previously available. The product is produced using hot press laminating polyester or melamine resin impregnated self-bonding paper to wood substrate. Performance specifications are available from the American Laminations Association. Madix does not recommend the use of Thermofused panels on horizontal or other wear surfaces.

Printed Mirror Hardboard Printed materials are primarily used for back panels, but appear as various other products. These materials are carefully cross matched to the corresponding laminates and Thermofused. Mylar mirror hardboard is used in the same applications and is also available in pegboard and grooved pegboard. **Finish Policy for Back Panels**

Standard Colors, Returnable– Code A Madix standard returnable colors for display shelving back panels are Sahara, Oyster, and Snow White.

Optional Colors-Level I Finishes (Non-Returnable)– Code B Madix non-returnable back panel colors offered at the optional price are Chocolate, Dove Gray, Dover White, Fashion Gray, Satin Black, Skyline Gray, Blue Gray and Tru Gray. Set-up charge of \$350.00 applies.

Optional Colors-Level II Finishes (Non-Brilliant)– Code B Madix offers optional back panel colors also known as non-brilliant finishes at an additional charge. These colors include custom grays, off whites, tans, and beiges not listed in Madix's Finishes brochure. Products painted with these colors are non-returnable. Set-up charge of \$350.00 applies.

Optional Colors-Level III Finishes (Brilliant)– Code C Brilliant back panel finishes include Hunter Green, Neon Blue, Spectrum Blue, and Spectrum Green. Set-up charge of \$350.00 applies.

Optional Colors-Level IV Finishes (Reds and Yellows)– Code C Use line change charge plus per piece charge supplied by customer service. Special colors are non-returnable. Set-up charge of \$350.00 applies.

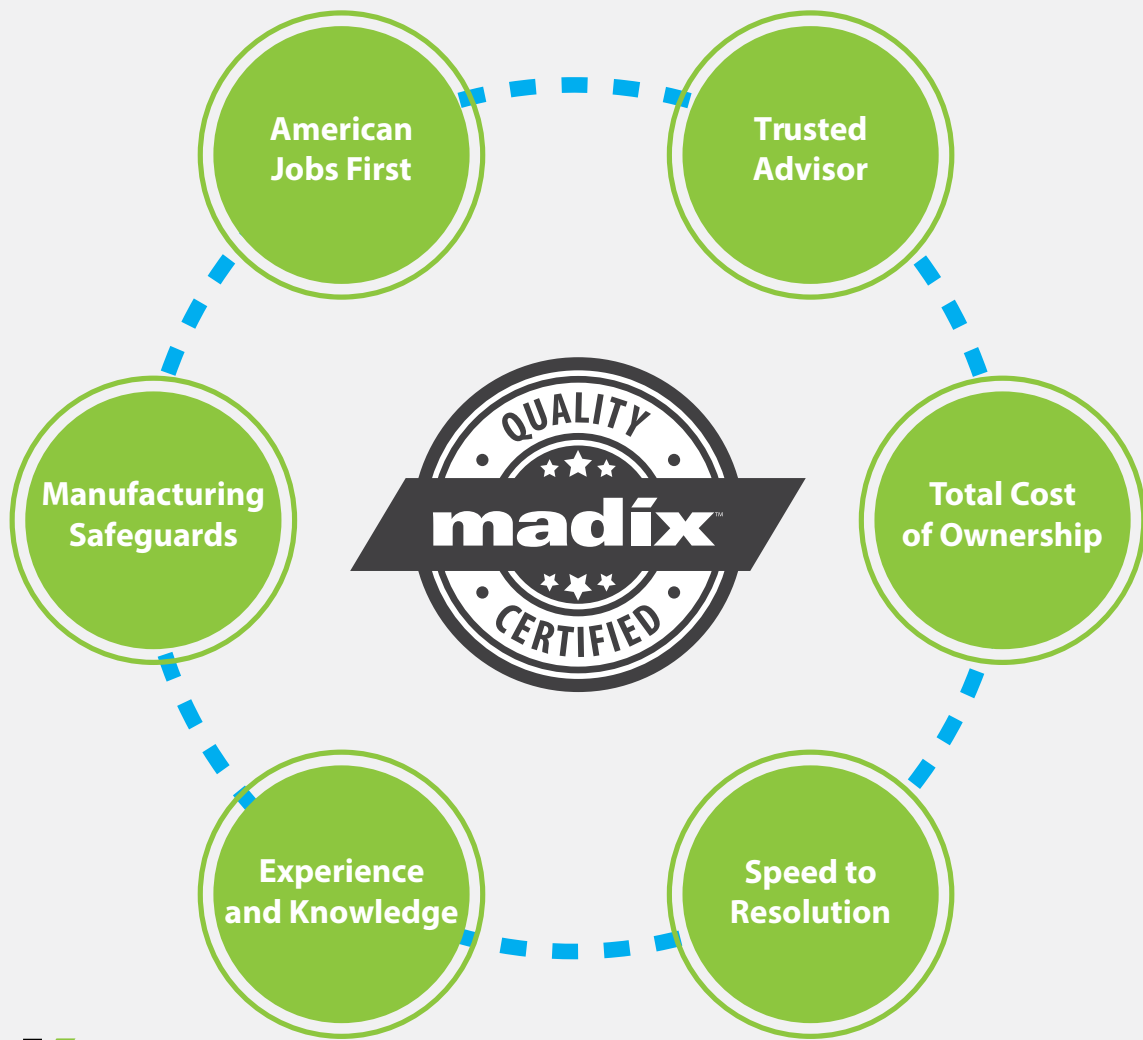
Pricing For Levels II To IV

Level II 1.2 x the difference between the Hardboard/Pegboard Optional Color pricing and the Hardboard/Pegboard Sahara pricing. **Example:** Optional upcharge for a BH-342 with a Level II finish would be calculated as follows: \$13.85 - \$12.45 = \$1.40 x 1.2 = \$1.68. The color upcharge for a BH-342 with a Level II finish is \$1.68. This upcharge amount will be added to the Optional Color price of a BH-342. The new price of a BH-342 using a Level II finish is \$15.53 (\$13.85 + \$1.68 = \$15.53).

Level III 1.4 x the difference between the Hardboard/Pegboard Optional Color pricing and the Hardboard/Pegboard Sahara pricing. **Example:** Optional upcharge for a BH-342 with a Level III finish would be calculated as follows: \$13.85 - \$12.45 = \$1.40 x 1.4 = \$1.96. The new color upcharge for a BH-342 with a Level III finish is \$1.96. This upcharge amount will be added to the Optional Color price of a BH-342. The new price of a BH-342 using a Level III finish is \$15.81 (\$13.85 + \$1.96 = \$15.81).

Level IV 1.8 x the difference between the Hardboard/Pegboard Optional Color pricing and the Hardboard/Pegboard Sahara pricing. **Example:** Optional upcharge for a BH-342 with a Level IV finish would be calculated as follows: \$13.85 - \$12.45 = \$1.40 x 1.8 = \$2.52. The color upcharge for a BH-342 with a Level IV finish is \$2.52. This upcharge amount will be added to the Optional Color price of a BH-342. The new price of a BH-342 using a Level IV finish is \$16.37 (\$13.85 + \$2.52 = \$16.37).

NOTE! See Finishes Brochure for color samples.



madix

CERTIFIED QUALITY A GUARANTEE YOU CAN TRUST

The Industry's Finest Store Fixtures Since 1956

For over sixty years, Madix has collaborated with retailers and brands to develop state-of-the-art solutions to their various merchandising challenges. Each of our products is designed to enhance the store environment for better performance, higher shopper-satisfaction rates, and more sales. Let us help you create the optimum layout for your stores' specific needs; with over thousands of standard, cataloged options available, the possibilities are virtually endless. We'll work with you one-on-one to devise creative, viable methods to make your sales floor and/or storage areas more productive.



madixinc.com

Texas: 214.515.5400 | Alabama: 256.839.6354



Expose Your Shelf.

Only the best endcaps have what it takes to make an impression on your customers.

Learn more about endcap best practices at
www.madixinc.com/endcaps



Texas 500 Airport Road, Terrell, TX 75160
Alabama 20984 Alabama Hwy 9, Goodwater, AL 35072

<i>Part Name</i>	<i>Part Number</i>	<i>Page Number</i>
B		
Beam LED Canopy Light Gen4.....	LLB(NL).....	4
Bowl Adapter Nut.....	ABADPT.....	21
Bowl Mount for Basic Upright.....	MLQABMH.....	21
D		
Double Stem Sign Holder for Top Spanner.....	DSSHFTS.....	15
E		
End Cap Sign Holder.....	ECSH-3019.....	19
End Cap Sign Holder Basic Upright Mount.....	ECSHBU(NW)(NH).....	19
End Frame Top Mount Sign Holder.....	EFTMSH-(NW)(NH).....	19
G		
Gondola Accent Cap.....	ADGAC-(NH)(NW).....	17
Gondola Accent Cap for ¼" Signage.....	ADGAC-25(NH)(NW).....	18
Gondola Accent Cap for ⅜" Signage.....	ADGAC-3/8(NH)(NW).....	18
Gondola Accent Cap with Brackets.....	ADGACMB-(NH)(NW)(ND).....	18
Gondola Header Sign, Basic Upright Mounted.....	GHSBABUM(NW)(ND).....	20
Gondola Sign Holder Flush Mount.....	GSHFM(NW)(NH).....	17
H		
Hypermaxi & Wide Span Sign Holder.....	HMSASH(NL)(NH)(OPT1)(OPT2).....	16
L		
LEDge Light Box.....	LLBOX(NW)(NH).....	6
LEDge Light Box Beam Light Mount.....	LLBOXB(ND).....	6
LEDge Light Box Bracket.....	LLBOXB(ND).....	6
LEDge Light Cable Clamp.....	LLCC38-25.....	7
LEDge Light Cable Clamp Magnetic.....	LLCCM-(OPT).....	7
LEDge Light Cat 5 Cable.....	LLCSC-(NL).....	10
LEDge Light Cat 5 Coupler.....	LLCSCP.....	10
LEDge Light Cat 5 Y-Splitter.....	LLCSYS.....	10
LEDge Light Deck Support Mounting Clip.....	LLDSMC.....	7
LEDge Light Dimming Component.....	10
LEDge Light Dimming Controller.....	LLDC.....	10
LEDge Light Dimming Controller Add-On Kit.....	LLDCA.....	9
LEDge Light Dimming Controller Kits.....	9
LEDge Light Dimming Controller Starter Kit.....	LLDCS-(TYPE).....	9
LEDge Light Gen4.....	LLS(NL).....	5
LEDge Light Harness Assembly.....	LLHA.....	7
LEDge Light Jumper Cable.....	LLJ(NL).....	7
LEDge Light Motion Sensor.....	LLMS.....	10
LEDge Light Motion Sensor Add-On Kit.....	LLMSA-(TYPE).....	9
LEDge Light Power Supply.....	LLPS.....	7
LEDge Light Sensor Mounting Bracket.....	LLSMB-(TYPE).....	10
LEDge Light Versa Bus Bar.....	LLBB(NL).....	8
LEDge Light Versa Connector.....	LLVC(ND).....	8
LEDge Light Versa System.....	8
LEDge Light Versa Y-Connector.....	LLVY.....	8
Lift and Drop Graphics Header Bracket Assembly.....	LDGHBA(NH)14-24(HAND).....	25, 27, 30, 32
Lift and Drop Graphics Header End Frame.....	LDGHEF(NH/CH)(ND)(EXT)(INT).....	26, 28, 30
Lift and Drop Graphics Header Sign Channel.....	LDGHSC(NW)(NH).....	26, 28, 30, 32
Lift and Drop Graphics Header Signage End Panel (Front).....	LDGHSEP(NH/CH)(ND).....	26, 28, 30
Lift and Drop Graphics Header Signage End Panel Side.....	LDGHSEPS(NH/CH)(ND).....	26, 28, 32
Lift and Drop Graphics Holder Wall Signage End Panel.....	LDGHWSEP(NH)(ND)-(BH).....	33
Lift and Drop Sign Channel Crossbar with Adj. Bracket.....	LDSCCBABV2(NW)(ND).....	33
Lighted Upper Shelf Assembly.....	LUSANL-(NW)(ND)-(TO).....	12
Lighted Upper Shelf Assembly Step Back Shelf.....	LUSASTBNL-(NW)(ND)(SO)-(TO).....	12
M		
Maxi Line End Cap Sign Header.....	MLECSH(NW)(NH).....	19
Metal Canopy Graphics Sign Holder.....	MCGSH-08-(NW).....	17
O		
Overize Sign Track System.....	OSSBTS(NW)(OPT).....	23
Q		
Queuing Bowl.....	QB700922.....	21
Queuing Bowl Divider.....	QBDIV12-04.....	21
Queuing System Sign Holder and Stem.....	QSSH(SIZE).....	21

<i>Part Name</i>	<i>Part Number</i>	<i>Page Number</i>
S		
Sign Base Basic Upright Mount.....	SBBUM.....	21
Sign Holder Basic Upright Top Mount.....	SHBUTM-(NW)(NH).....	16
Sign Holder Gondola Mounted Extended Bracket.....	SHGMEXTB(ND)(OPT).....	18
Sign Holder Gondola Mounted Extended Frame.....	SHGMEXTF(NW)(NH).....	18
Sign Holder Shelf Mount.....	SHSM-(OPT).....	17
Step Back Shelf.....	STBS-(NW)(ND)(SO)(OPT)-(FIN1)-(FIN2).....	14
Straight in Bracket.....	SBOEPP-(ND).....	33
T		
Top Spanner Sign Holder.....	STLSHM-(NW)(NH).....	14
Top Spanner with Sign Channel.....	CTSSC4.....	14
Triangular End Cap Sign Holder.....	TECSH.....	19
V		
Vertical Divider Arm.....	(OPT)VDA-(NL)(TYPE).....	22
Vertical Divider Arm Heavy-Duty Scan Hook.....	VDAHDSH-(NL)-(OPT).....	22
Vertical Divider Arm Sign Holder.....	VDASH.....	22
Vertical Divider Arm with Price Tag Holder.....	VDA-(NL)R-PTH-(OPT).....	22
Vertical Divider Bar.....	VDB-(NW)(SO).....	22
Vertical Divider Bar Dual Mounting Sign Channel.....	VDBDMSC(NW).....	22
Vertical End Cover Extension with Sign Channel.....	EVCS-(NH).....	15
W		
Wide Span Hypermaxi Sign Holder Frame.....	WS(OPT1)SHF(NW)(NH)(OPT2).....	24
Wide Span Hypermaxi Sign Holder Modified Shelf Mount.....	WSHMSHFM(NW)(NH).....	24
Wing Shelf Sign Holder, Three Position.....	WSSH3P-(NW)(ND).....	20
Wire Health & Beauty Aid Sign Holder.....	WHBASH(NL)24.....	16
Wire Health & Beauty Aid Sign Holder Single Arm.....	WHBASHTA12(NH).....	16





Innovation on Display Since 1956



www.madixinc.com

Texas 500 Airport Road, Terrell, TX 75160 | 1010 S. Bolton, Jacksonville, TX 75766
Alabama 20984 Alabama Hwy. 9, Goodwater, AL 35072 | 500 Madix Drive, Eclectic, AL 36024