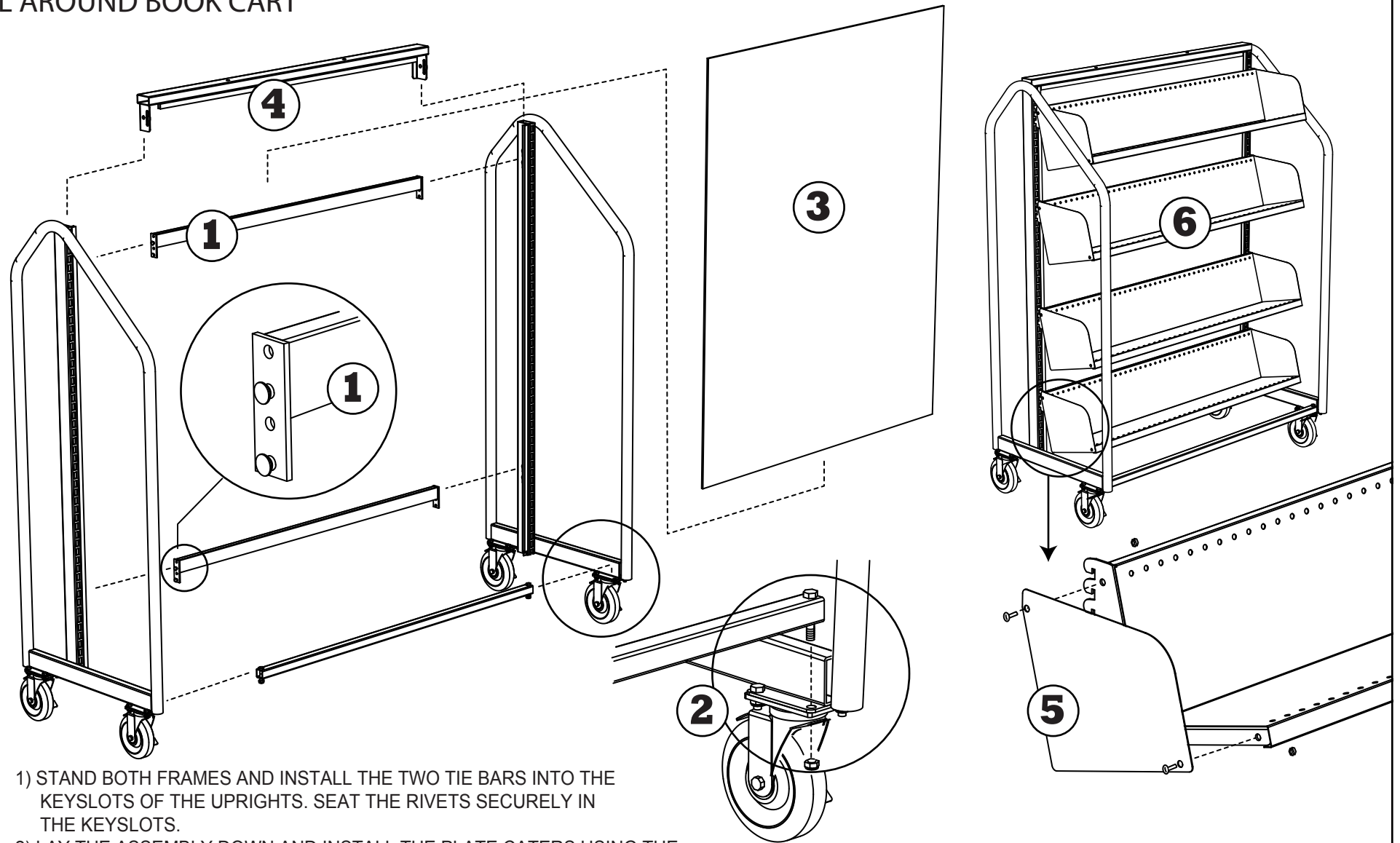


ROLL AROUND BOOK CART



- 1) STAND BOTH FRAMES AND INSTALL THE TWO TIE BARS INTO THE KEYSLOTS OF THE UPRIGHTS. SEAT THE RIVETS SECURELY IN THE KEYSLOTS.
- 2) LAY THE ASSEMBLY DOWN AND INSTALL THE PLATE CATERERS USING THE BOLTS AND NYLOCK NUTS PROVIDED. USE THE (2) LONGER BOLTS TO SECURE THE FRONT TUBE AS SHOWN.
- 3) INSTALL THE BACK PANEL INTO THE BACK PANEL RETAINER CHANNELS. SIDE THE PANEL IN FROM ABOVE.
- 4) INSTALL THE TOP CAP. CONNECTORS GO INTO TOPS OF UPRIGHTS. FULLY SEAT THE TOP CAP.
- 5) ASSEMBLE END PANELS TO SHELVES USING THE PROVIDED ¼"-20X ½" SCREWS AND NYLOCK NUTS AS SHOWN.
- 6) INSTALL SHELVES. TABS ON SHELF BRACKETS ENGAGE UPRIGHT SLOTS.

RBCUR- UPRIGHT FRAME
 RBCBS- BOTTOM TUBE
 RBCCT - TOP CAP
 TLPWSTTR OPT.WS POWER TOP CAP
 RBCB - BACK PANEL
 MMUTS1SE - SHELF END PANEL

madix™
 STORE FIXTURES

P.O. BOX 729 TERRELL, TEXAS 75160
 972-563-55744 / 800-776-2349

ASY1-377 PAGE 1 of 1 REV.
 5/9/06 AJB ECN#50000001601