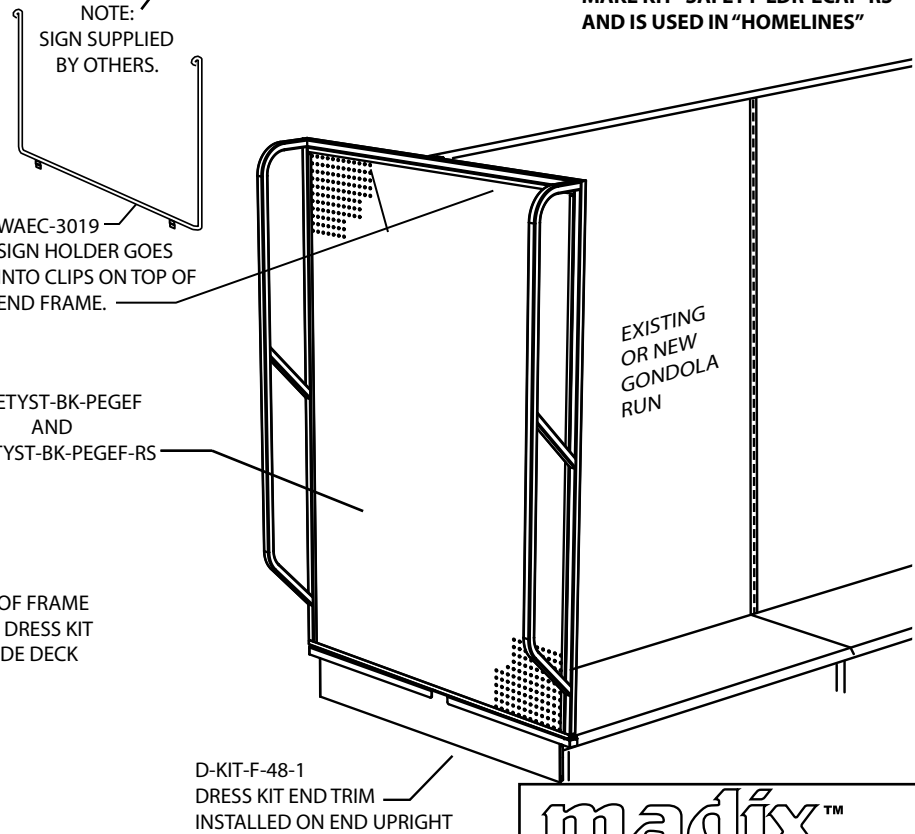
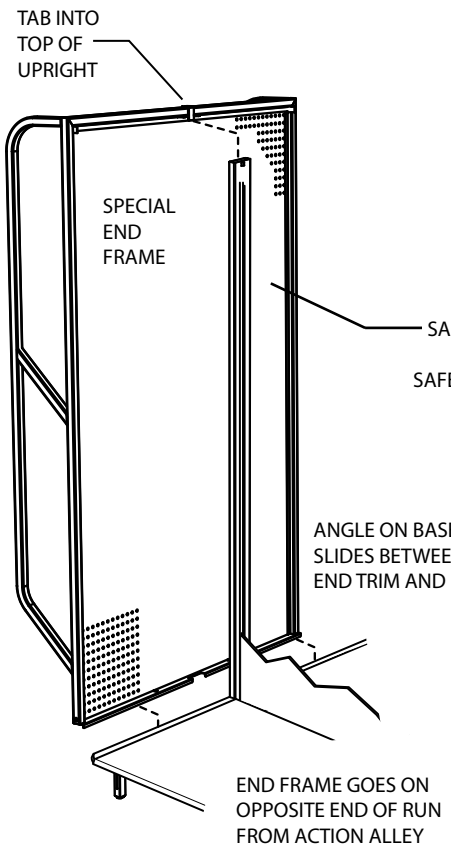
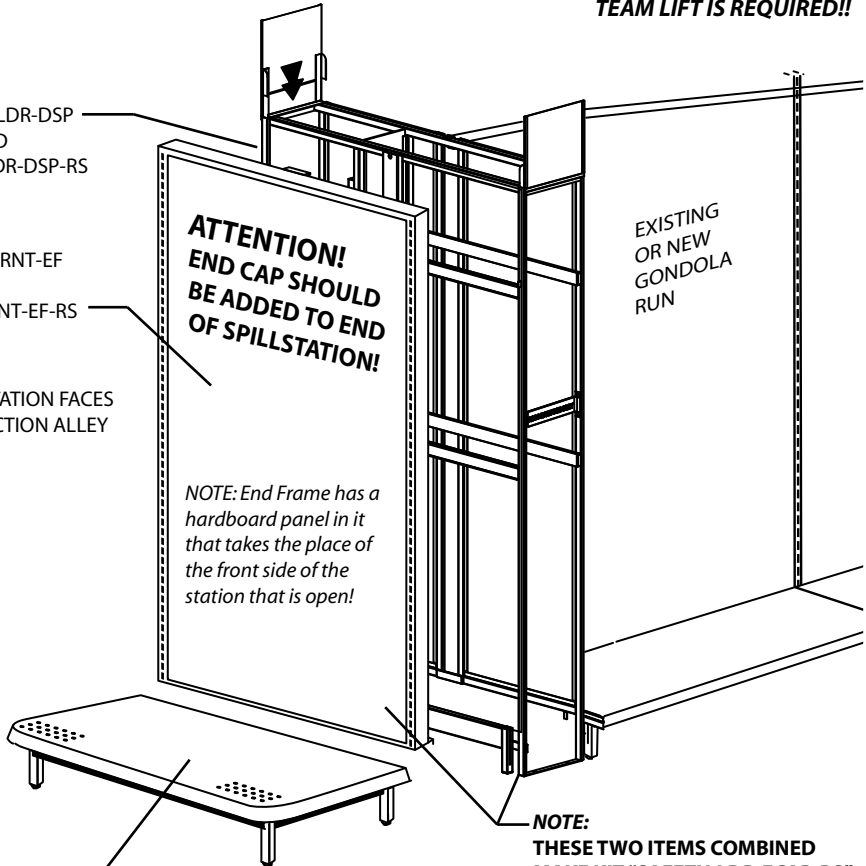
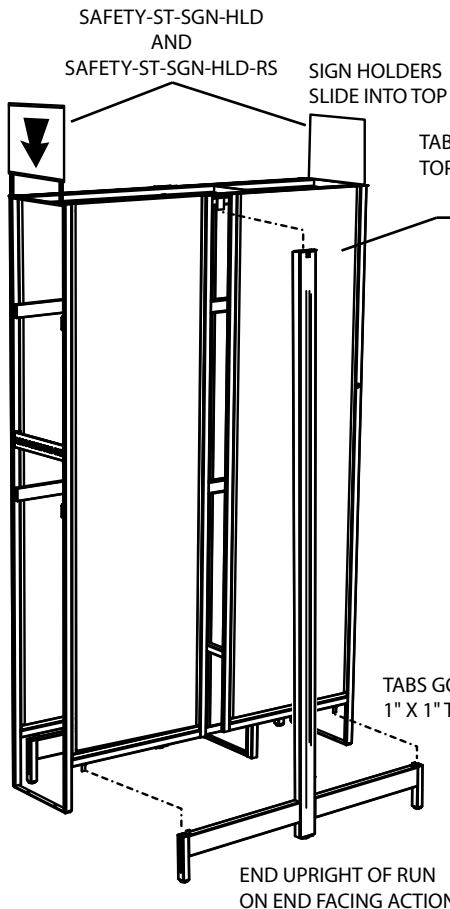


**SAFETYSTATION06 & SAFETYSTATION06RS** CONSISTS OF DRESS KIT, BACK END CAP, FRONT END FRAME WITH SOLID PANEL, & SPILLSTATION (4 PARTS) IF YOU ARE ADDING SPILL STATION AND END FRAME TO AN EXISTING FIXTURE RUN, THE EXISTING END FRAMES, ALONG WITH END DECKS MUST BE REMOVED.

**UNIT IS ONE PIECE. IT IS LARGE AND HEAVY. USE CAUTION WHEN HANDLING!  
TEAM LIFT IS REQUIRED!!**



**madix™**  
**STORE FIXTURES**  
 P.O. BOX 729 TERRELL, TEXAS 75160  
 972-563-5574 / 800-776-2349  
**ASY1-343** PAGE 1 of 1 REV.3  
 12/28/06 AJB ECN#50000004044