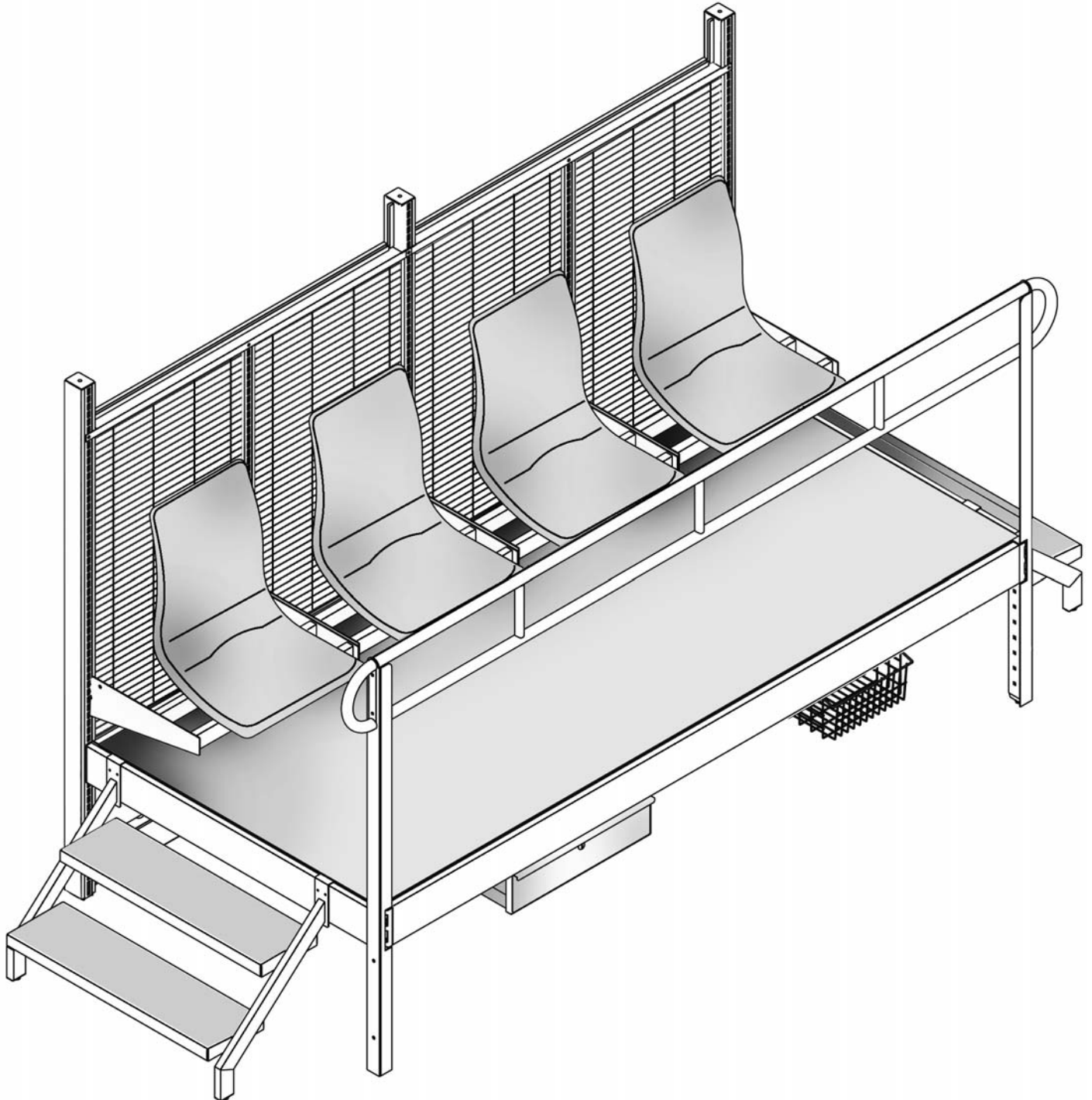


SKI BENCH

PAGE 1 OF 6

ASY1-299

INSTALLATION INSTRUCTIONS



madix™
 STORE FIXTURES

P.O. BOX 729 / TERRELL, TEXAS 75160 / 972.563.5744 / 800.776.2349
 P.O. BOX 177 / GOODWATER, ALABAMA 35072 / 205.839.6354 / 800.633.6282

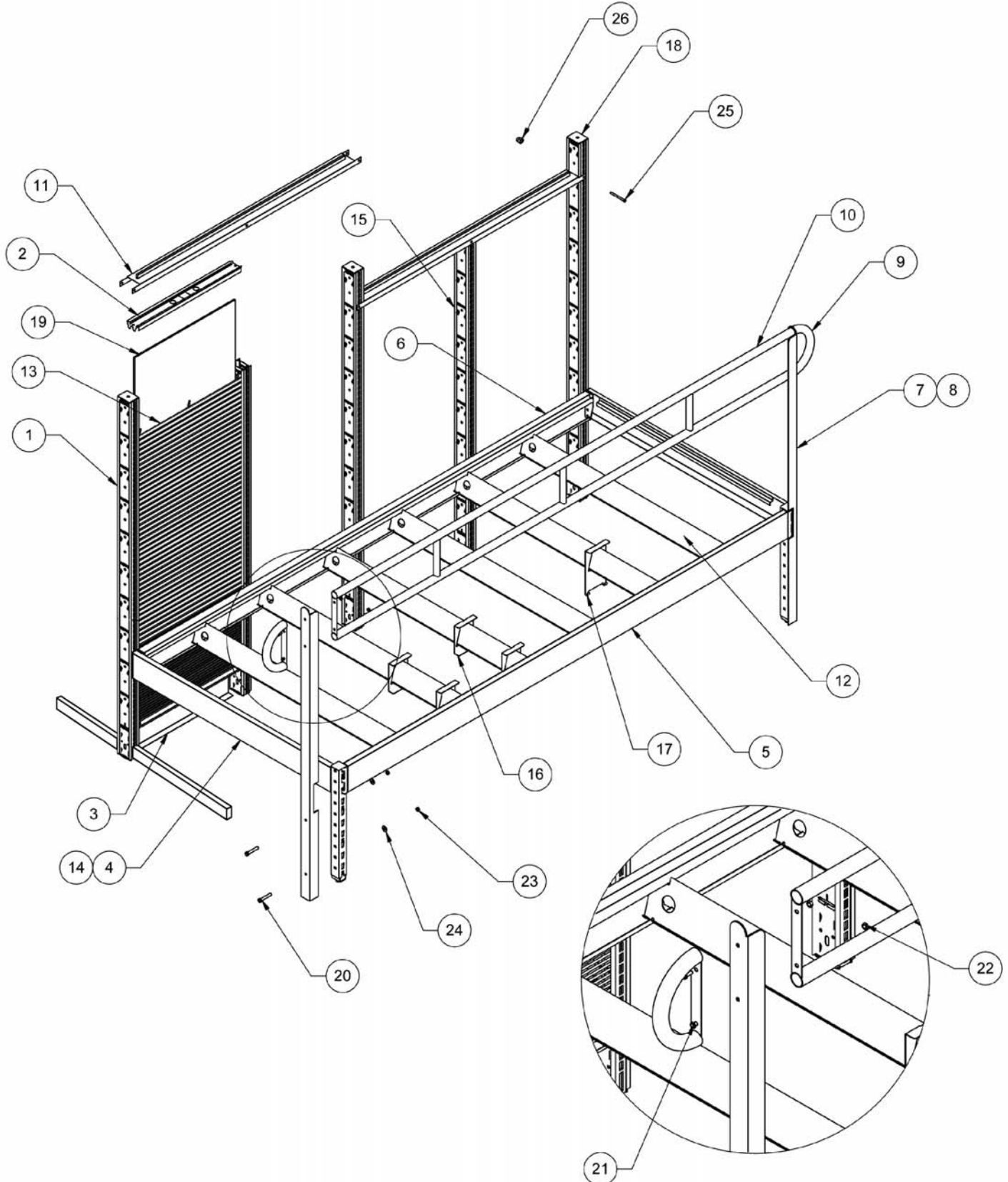
REV

REV#	ECN#	REVISION	BY	DATE	REV#	ECN#	REVISION	BY	DATE
	AL3981		AJB	8/17/05					

ITEM	DESCRIPTION	QUANTITY
PAGE 2		
1	BU-66 UPRIGHT	3
2	STL-2 TOP SPANNER	4
3	HSL-2 HD LOWER SPANNER	4
4	DECK END SUPPORT LH	1
5	HMHDFB96-U FRONT BEAM 96"	1
6	HMHDRB96 REAR BEAM 96"	1
7	HAND RAIL SUPPORT RH	1
8	HAND RAIL SUPPORT LH	1
9	HAND RAIL ENDS	2
10	HAND RAIL	1
11	TOP SPANNER W/SIGN CHANNEL	2
12	HDWSDS42 DECK SUPPORTS	6
13	WIRE GRID BACK (FRONT & BACK)	8
14	DECK END SUPPORT RH	1
15	BU-60 UPRIGHT	2
16	DRAWER HANGER	4
17	BASKET HANGER	1
18	UC UPRIGHT CAP	3
19	TBHBP-2460 CENTER BACK HARDBOARD	4
20	SCREW, HEX HEAD 5/16-18 X 2 1/4"	4
21	SCREW, HEX HEAD 1/4-20 X 3/4"	4
22	HEX NUT 1/4-20 WITH ELASTIC STOP	4
23	HEX NUT 5/16-18 WITH ELASTIC STOP	4
24	FLAT WASHER 5/16"	4
25	SCREW HEX HEAD 1/4-20 X 3"	5
26	ACORN NUT 1/4-20	5
PAGE 3		
16	STEPS -ASSEMBLY	2
17	VC-66 UPRIGHT COVER TRIM	2
18	DRAWER FRAME ASSEMBLY	1
19	DRAWER BODY	1
20	DRAWER LOCK	1
21	MALE DRAWER SLIDE	2
24	UPRIGHT COVER W/SIGN CHANNEL	4
26	WIRE BASKET	1
28	SCREW HEX HEAD SELF DRILL	8
29	SCREW HEX HEAD 1/4-20X 3/4"	4
PAGE 4		
25	SEAT ASSEMBLY	4
26	DECK WITH RUBBER MAT 4661	1

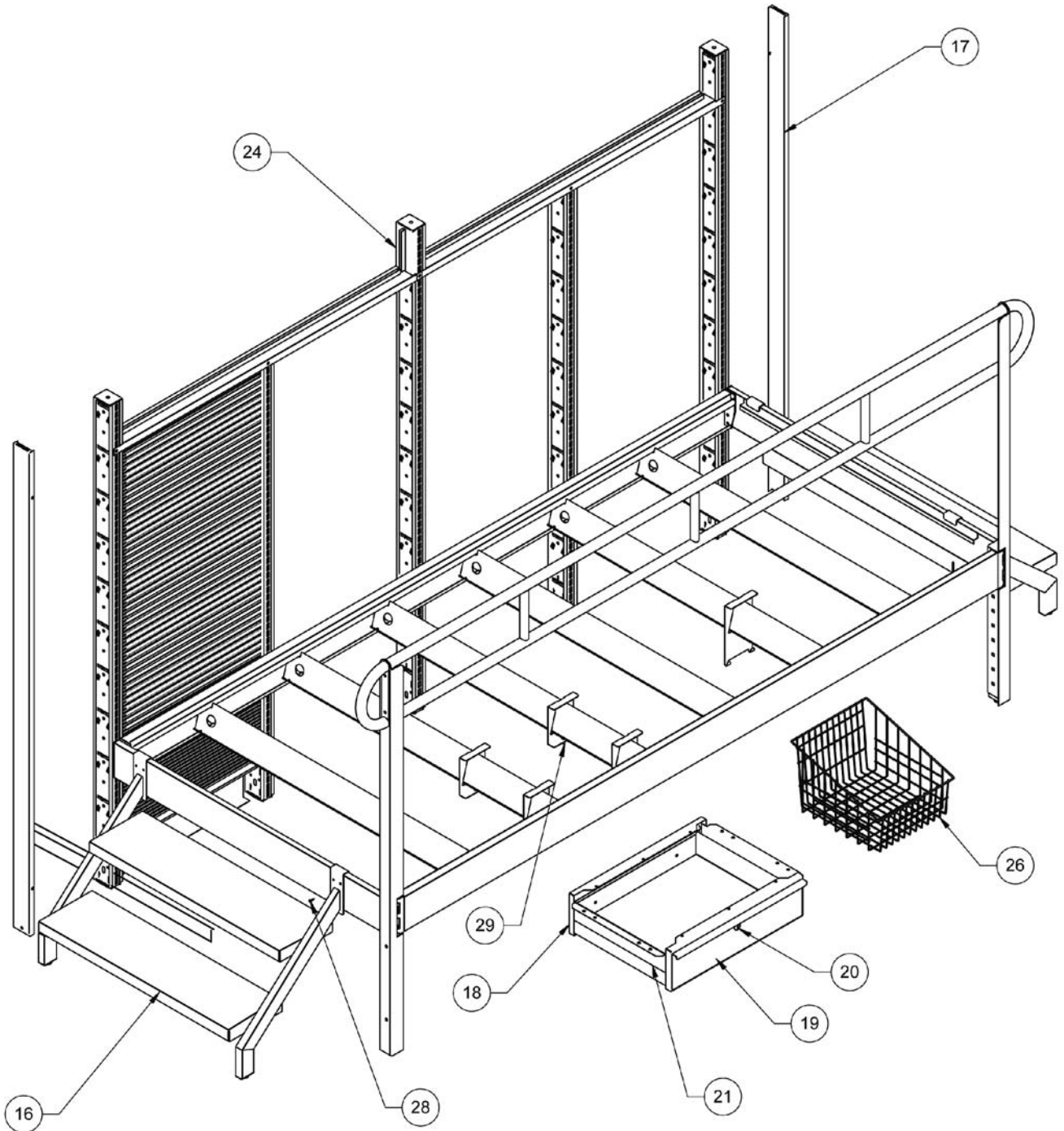
SKI BENCH

INSTALLATION INSTRUCTIONS

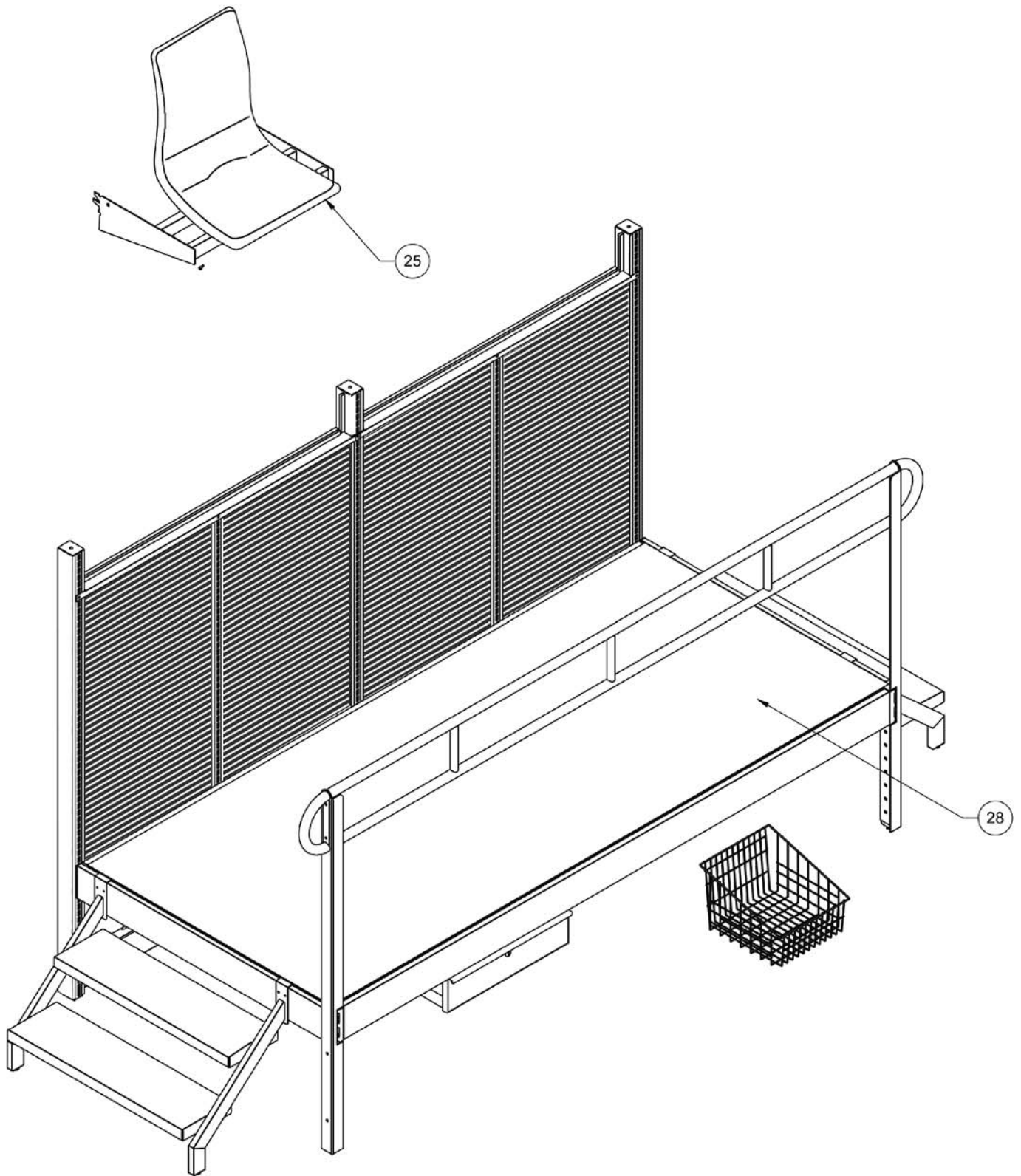


SKI BENCH

INSTALLATION INSTRUCTIONS



SKI BENCH



- 1** Set up 8' gondola run using the TLEG shoes and the HSL (heavy duty lower spanners). Install hardboard BACK RETAINER CLIPS into upright lances in locations shown. Install HARDBOARD backs first, then wire grid panels. Install top spanner with sign channel (ITEM 11) and upright covers with sign channel (ITEM 24) after top spanners (ITEM 2) are in place.
- 2** Install rear beam (ITEM 6) into uprights of gondola at approximately 20 1/4" from floor.
- 3** Install LH & RH deck end supports (ITEMS 4 & 14) into gondola uprights. From floor to top of beam should be approximately 20 1/4", or near level to rear beam.
- 4** Install front beam (ITEM 5) into front slots of deck end supports.
- 5** Slide hangers (ITEMS 16 & 17) for drawer and wire basket on to deck supports (ITEM 12). Install Deck Supports. Deck supports twist into place (see ASY-083 for Hypermaxi).
- 6** Install drawer (ITEMS 19, 20 & 21) to slide hangers on deck supports.
- 7** Install hand rail assembly (ITEMS 7, 8, 9 & 10) with provided hardware.
- 8** Install steps (ITEM 16) (ship assembled) by hanging assembly over beam of deck end support. Run (2) TEK screws through each hanger into beams.
- 9** Install wood deck (ITEM 26) into beams. Deck rests in place on deck supports.
- 10** Install seat supports into gondola uprights and install seats to seat supports. (ITEM 25)

