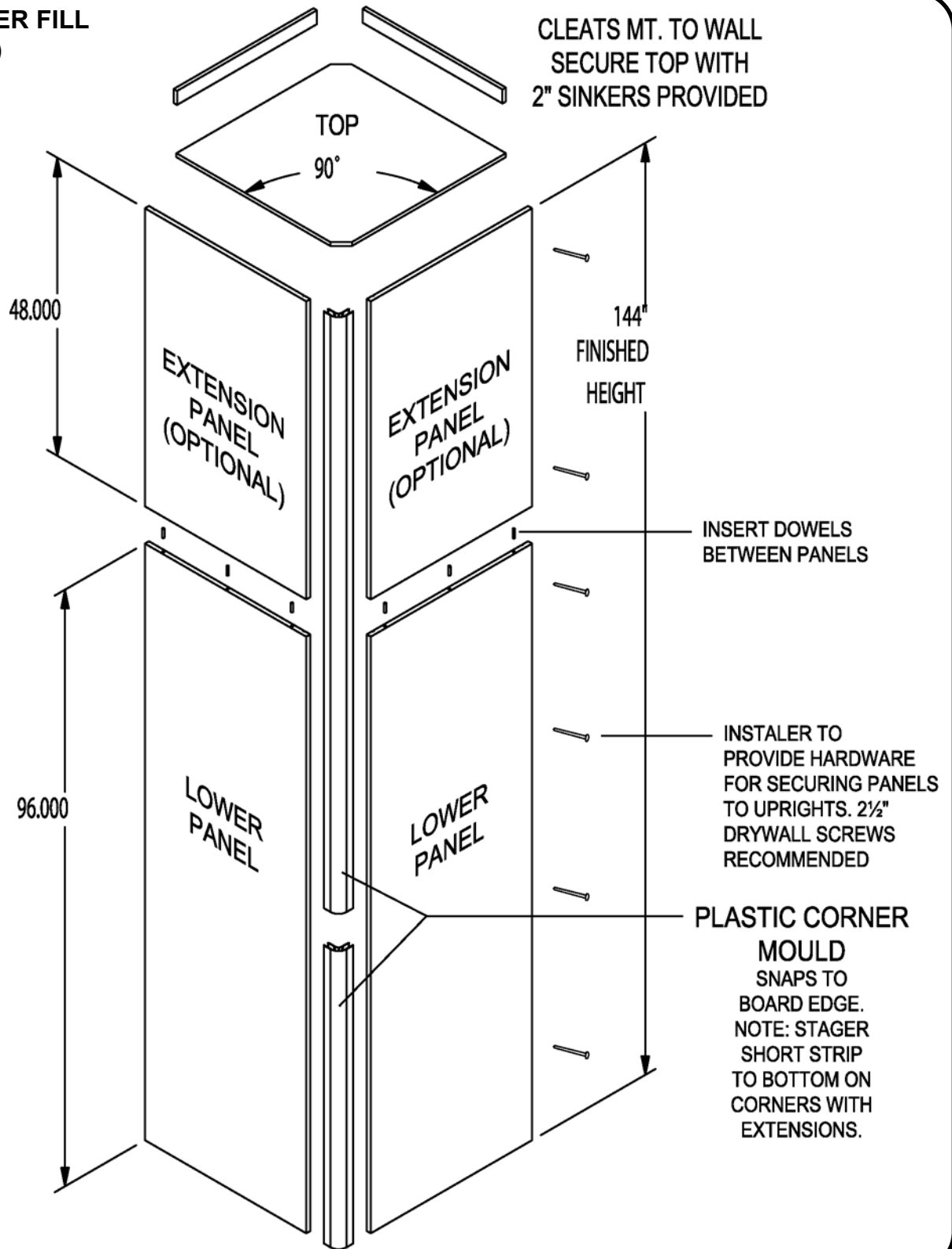


BOX CORNER WITH EXTENSION

INSTALLATION INSTRUCTIONS

90° CORNER FILL
BCETT(90)

CLEATS MT. TO WALL
SECURE TOP WITH
2" SINKERS PROVIDED



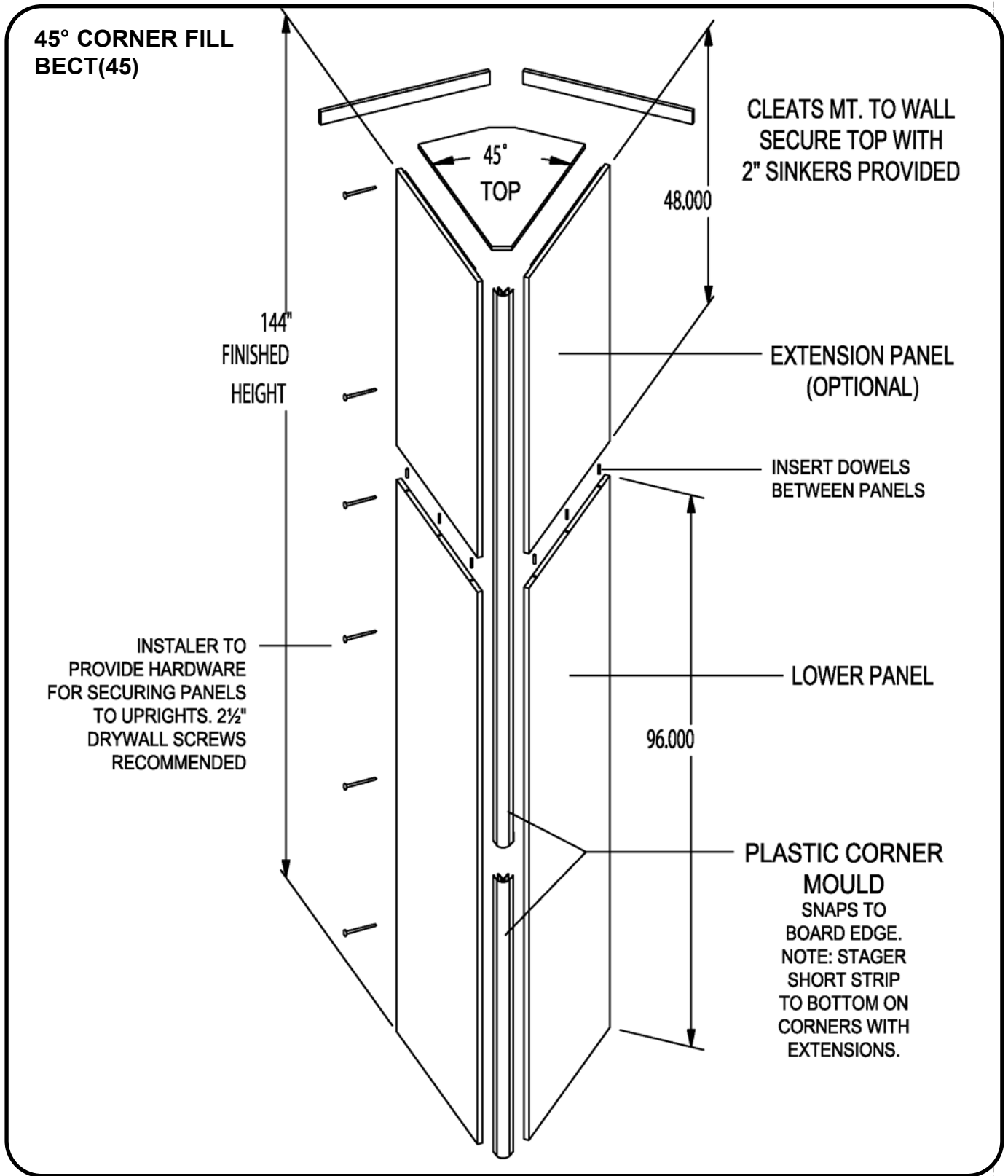
P.O. BOX 729 / TERRELL, TEXAS 75160 / 972.563.5744 / 800.776.2349
P.O. BOX 177 / GOODWATER, ALABAMA 35072 / 205.839.6354 / 800.633.6282

REV

REV#	ECN#	REVISION	BY	DATE	REV#	ECN#	REVISION	BY	DATE
	AL3979		AJB	8/16/05					

BOX CORNER WITH EXTENSION

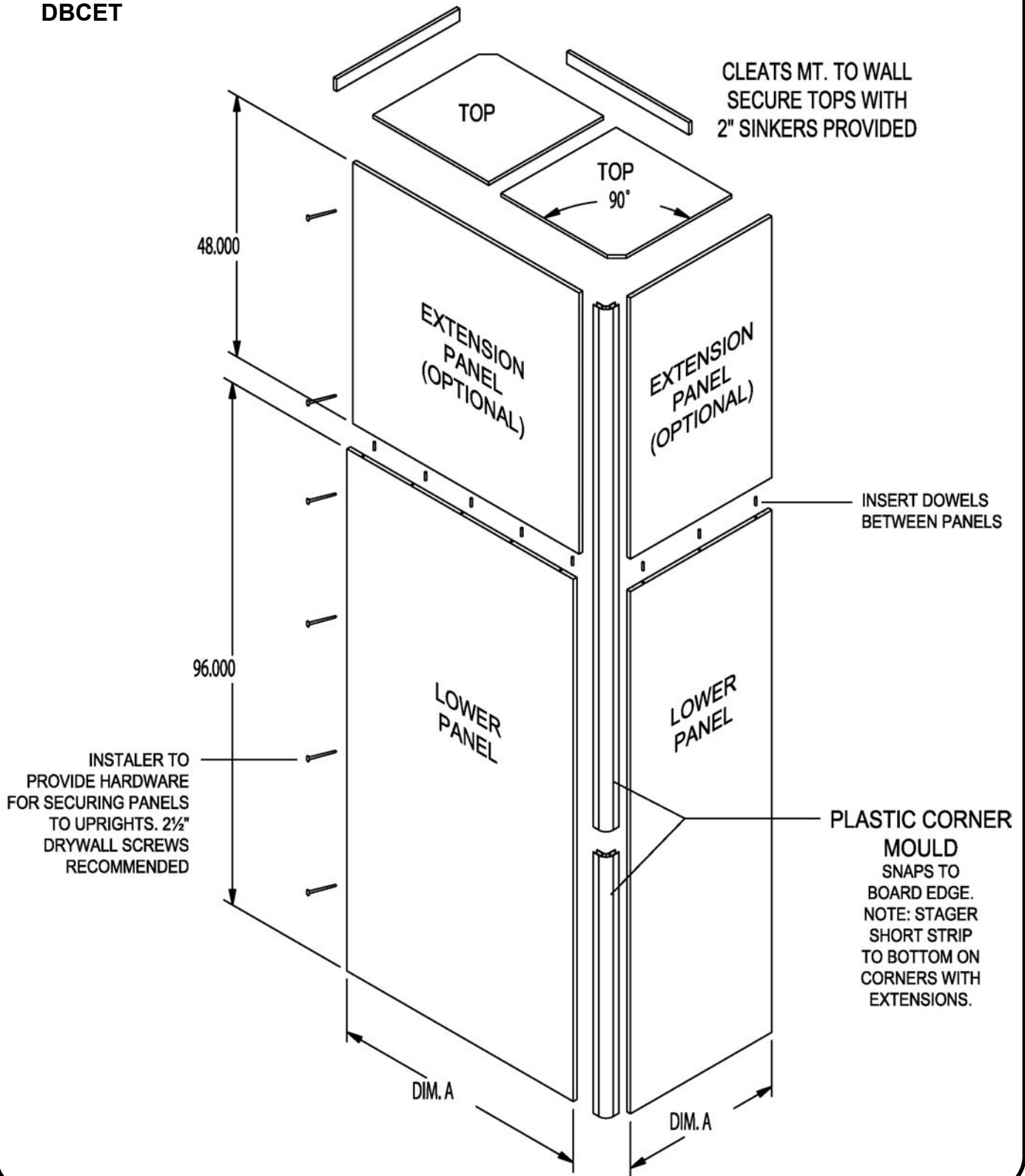
INSTALLATION INSTRUCTIONS



BOX CORNER WITH EXTENSION

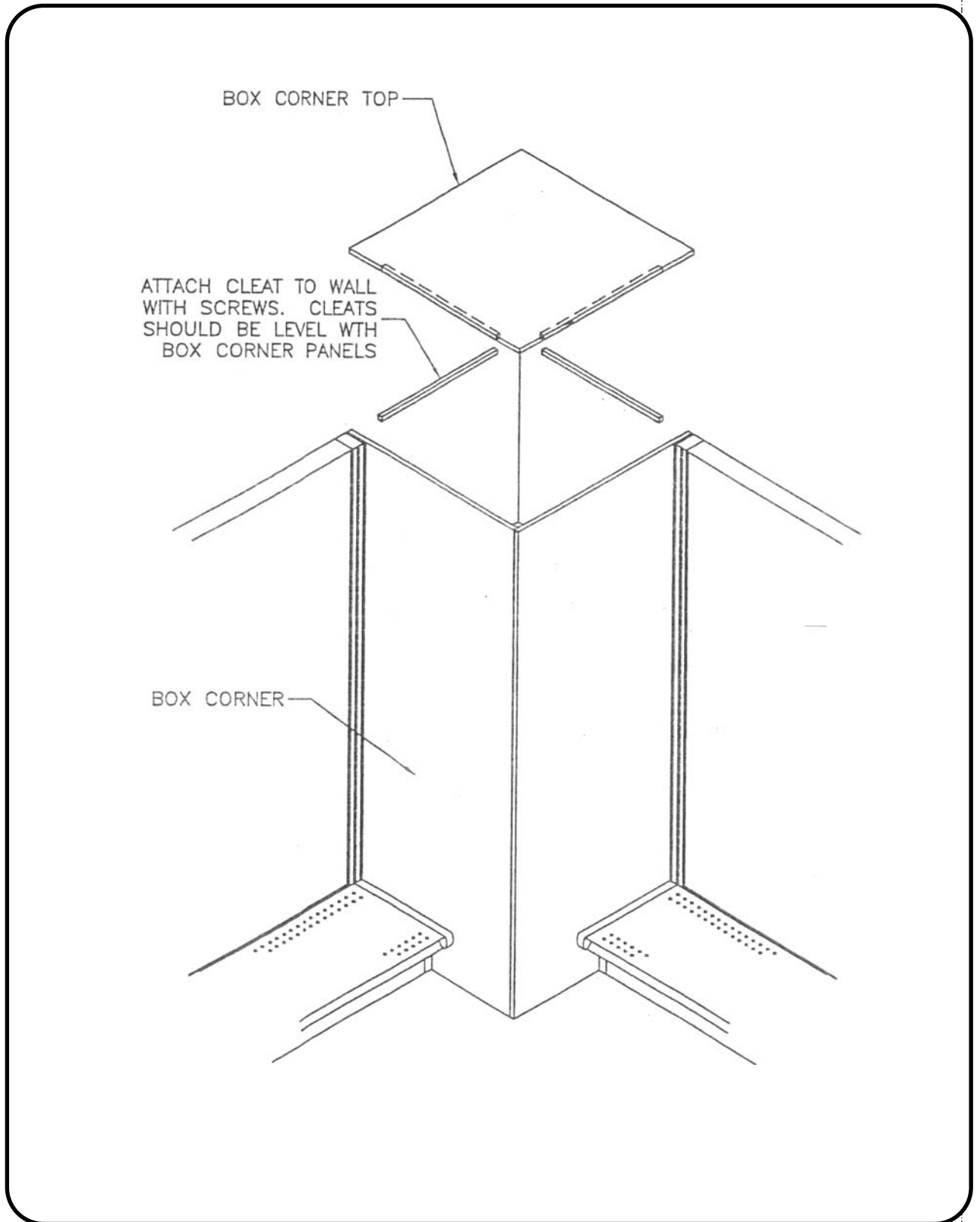
INSTALLATION INSTRUCTIONS

DOUBLECORNER FILL DBCET



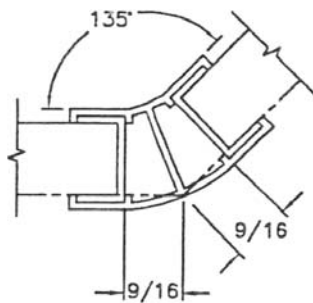
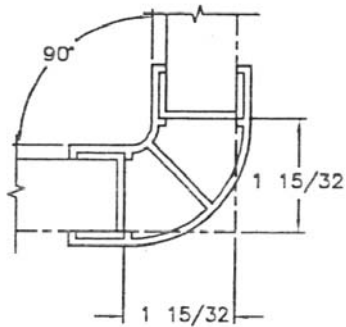
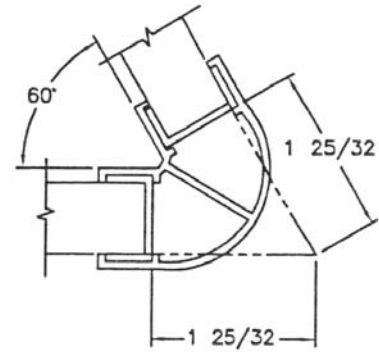
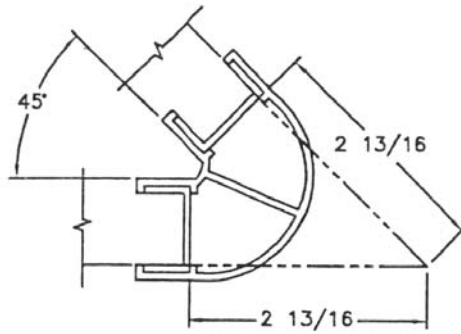
BOX CORNER WITH EXTENSION

INSTALLATION INSTRUCTIONS



BOX CORNER WITH EXTENSION

INSTALLATION INSTRUCTIONS



REQUIRED MOULDING ALLOWANCES
FOR FIGURING
WALL LENGTHS