

TWCEC/THREE WAY CHECKOUT END CAP

ASY1-295

INSTALLATION INSTRUCTIONS

1

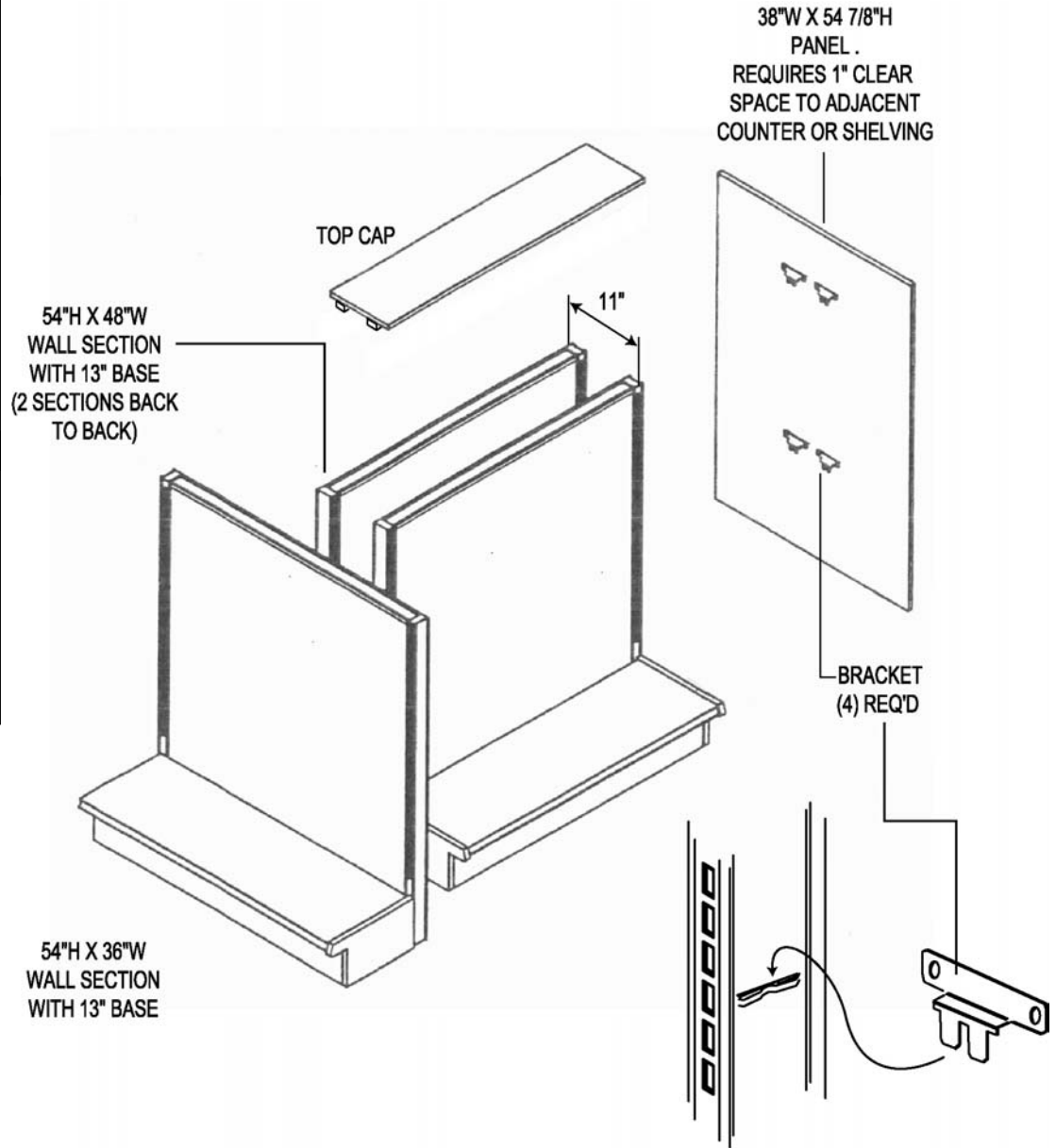
Assemble two wall sections (refer to ASY-046) and position sections back-to-back. Maintain at least 1" space between end of these sections and adjacent fixture for location of panel.

2

Install the (4) metal brackets in panel hardware pack into the lances of the uprights. See next page for locations. Top set should be put in lances 6" from top of upright.

3

Sections should be positioned flush with 11" from front face of upright to opposite front face of upright. Set top panel in place. Cleats on top panel locate between top spanners.



P.O. BOX 729 / TERRELL, TEXAS 75160 / 972.563.5744 / 800.776.2349
P.O. BOX 177 / GOODWATER, ALABAMA 35072 / 205.839.6354 / 800.633.6282

REV

REV#	ECN#	REVISION	BY	DATE	REV#	ECN#	REVISION	BY	DATE
	AL3976		AJB	8/16/05					

TWCEC/THREE WAY CHECKOUT END CAP

ASY1-295

INSTALLATION INSTRUCTIONS

4

Once wall sections are properly spaced, plumb and level the sections. Slide the panel in place and center on the two sections. Secure panel to brackets in the upright lances with the provided screws.

5

Assemble the wall end section and position it against the two other sections. Plumb and level the wall end section.

