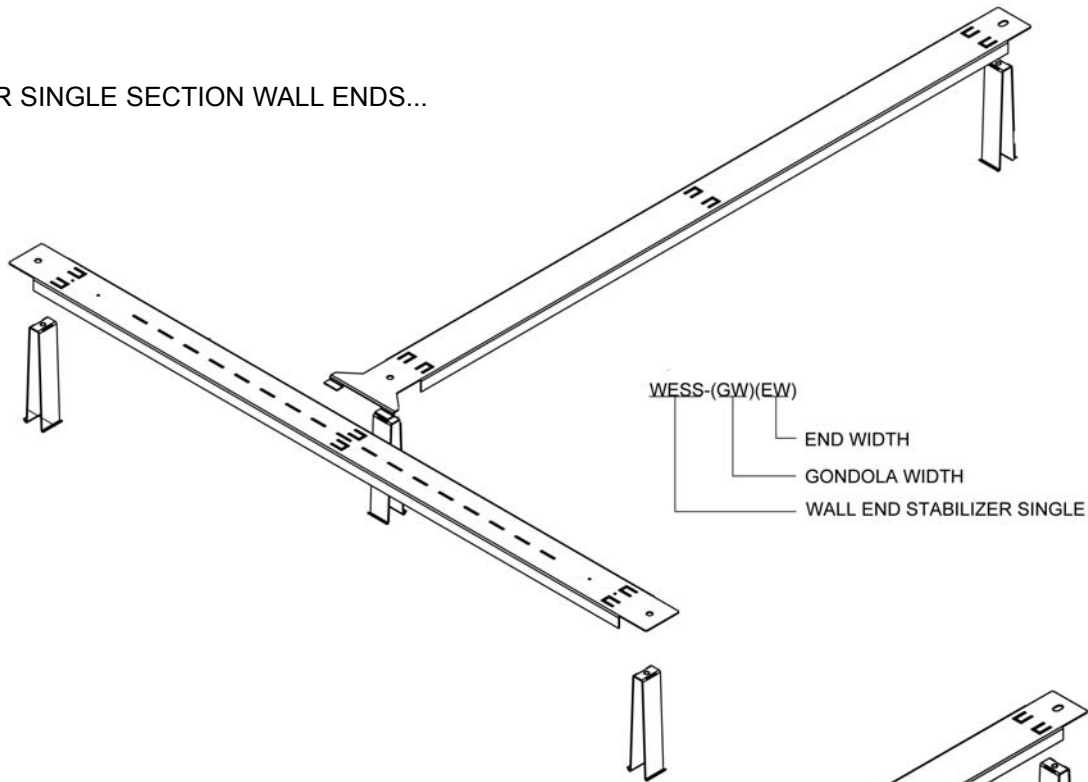


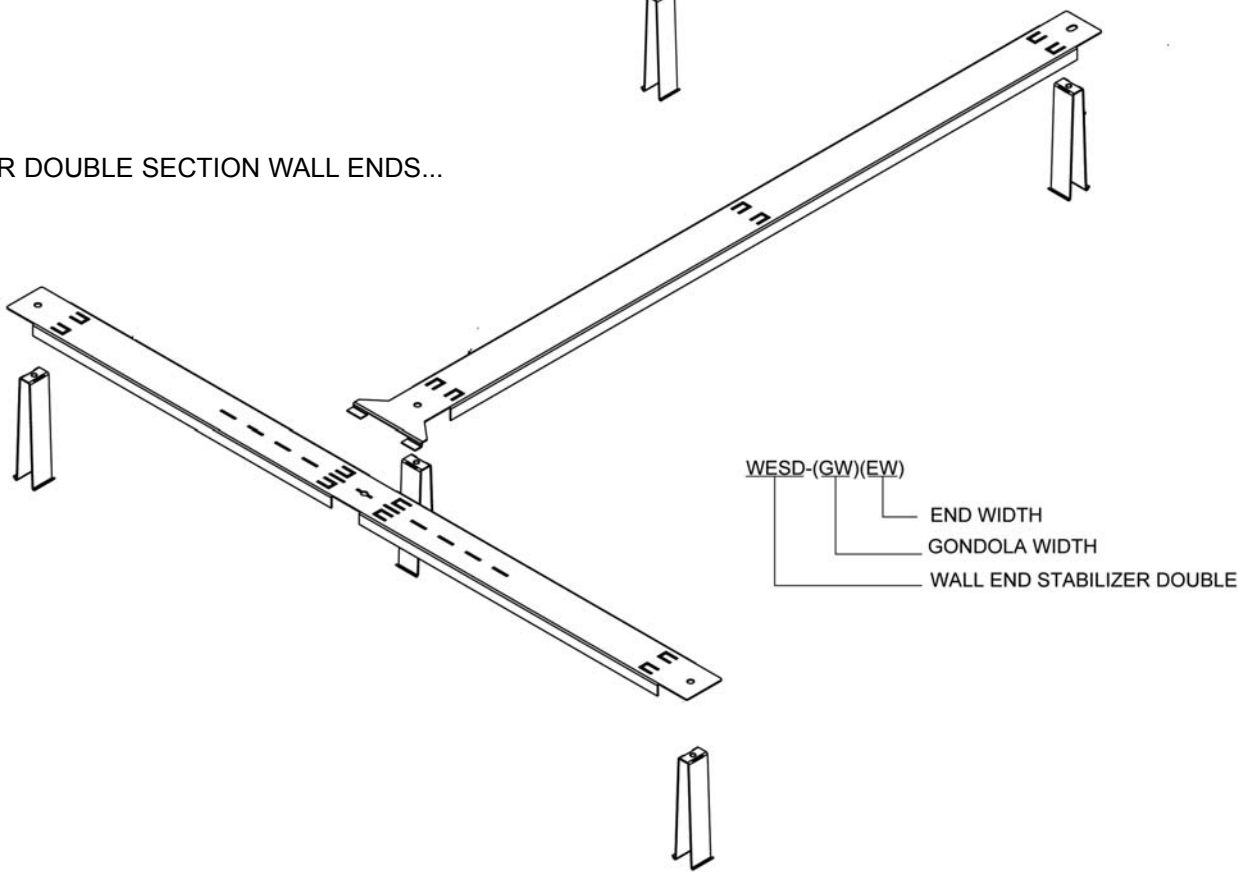
# WALL END STABILIZERS

## INSTALLATION INSTRUCTIONS

FOR SINGLE SECTION WALL ENDS...



FOR DOUBLE SECTION WALL ENDS...



P.O. BOX 729 / TERRELL, TEXAS 75160 / 972.563.5744 / 800.776.2349  
 P.O. BOX 177 / GOODWATER, ALABAMA 35072 / 205.839.6354 / 800.633.6282

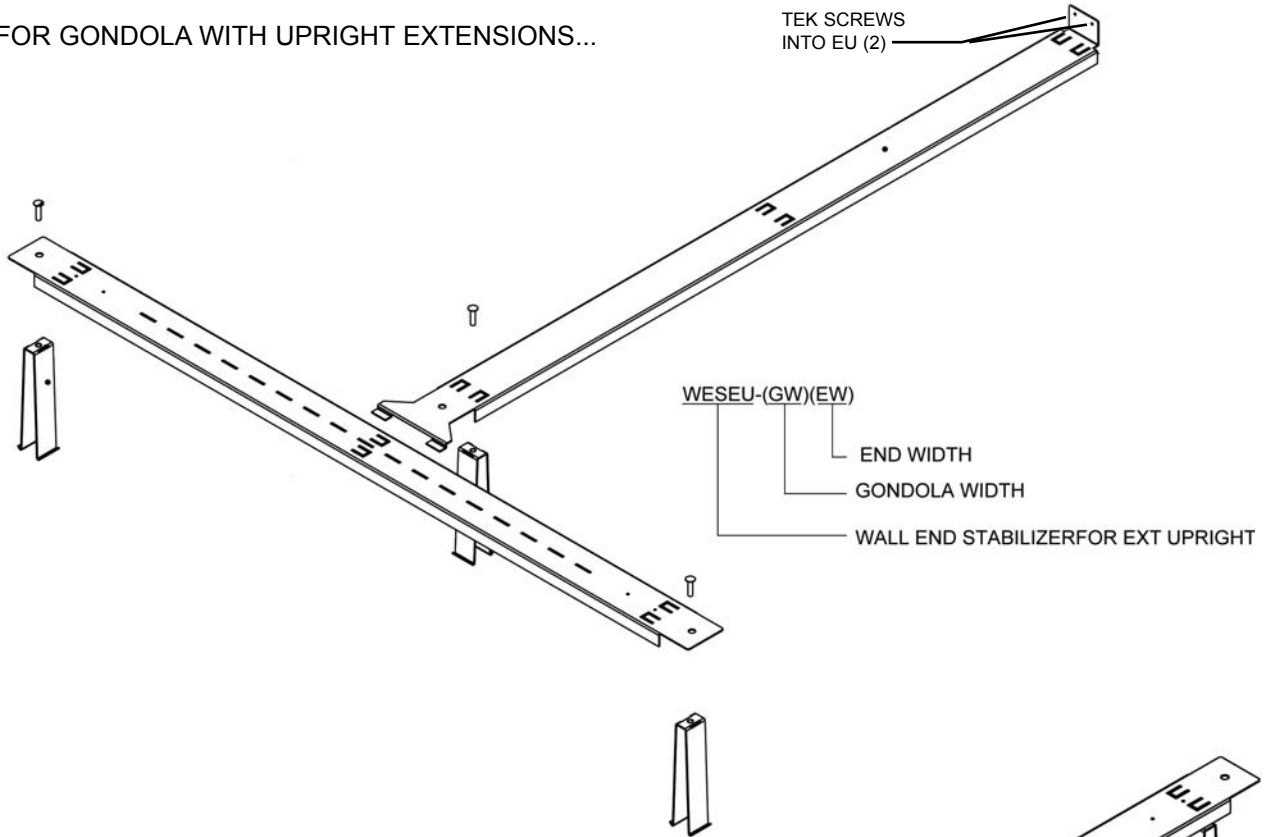
REV

REV#	ECN#	REVISION	BY	DATE	REV#	ECN#	REVISION	BY	DATE
	AL3971		AJB	8/16/05					

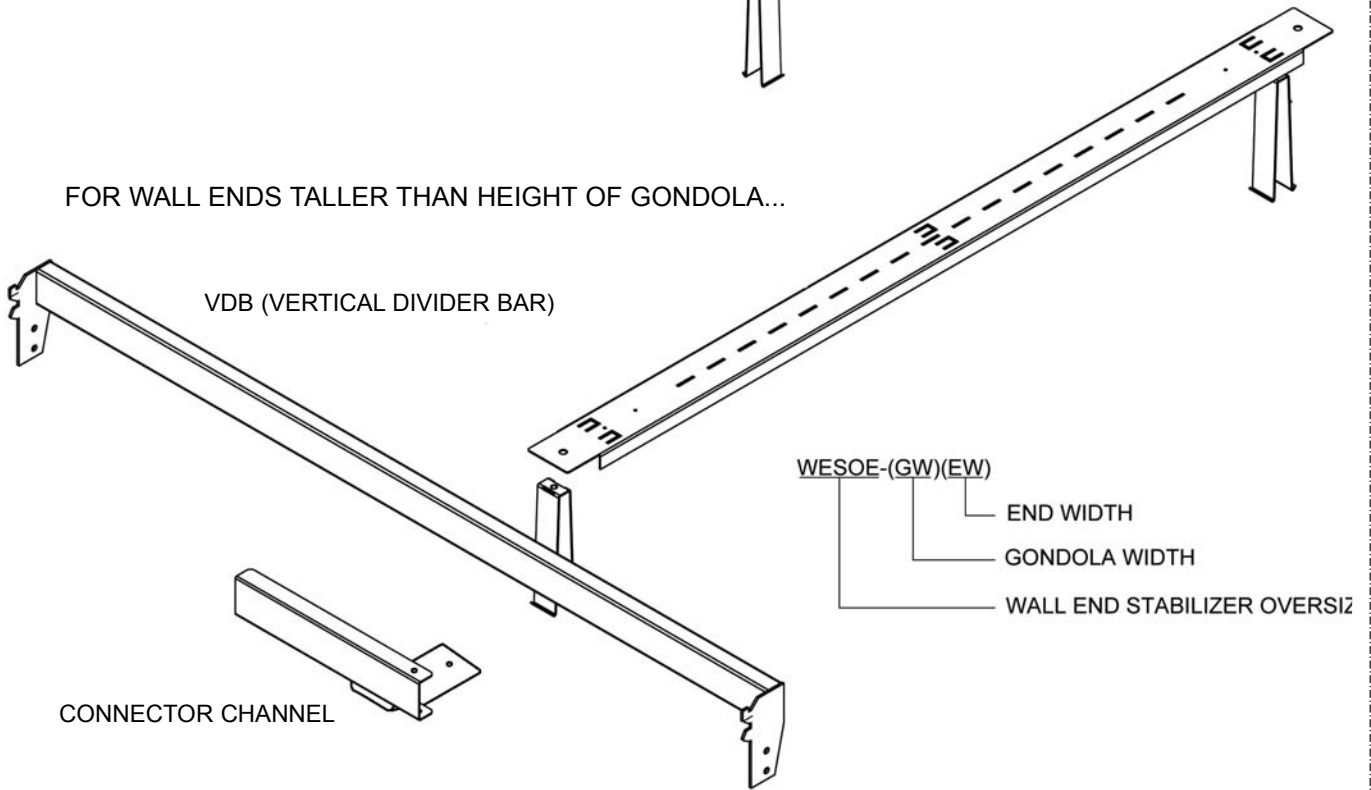
# WALL END STABILIZERS

## INSTALLATION INSTRUCTIONS

FOR GONDOLA WITH UPRIGHT EXTENSIONS...



FOR WALL ENDS TALLER THAN HEIGHT OF GONDOLA...



# WALL END STABILIZERS

ASY1-292

## INSTALLATION INSTRUCTIONS

1

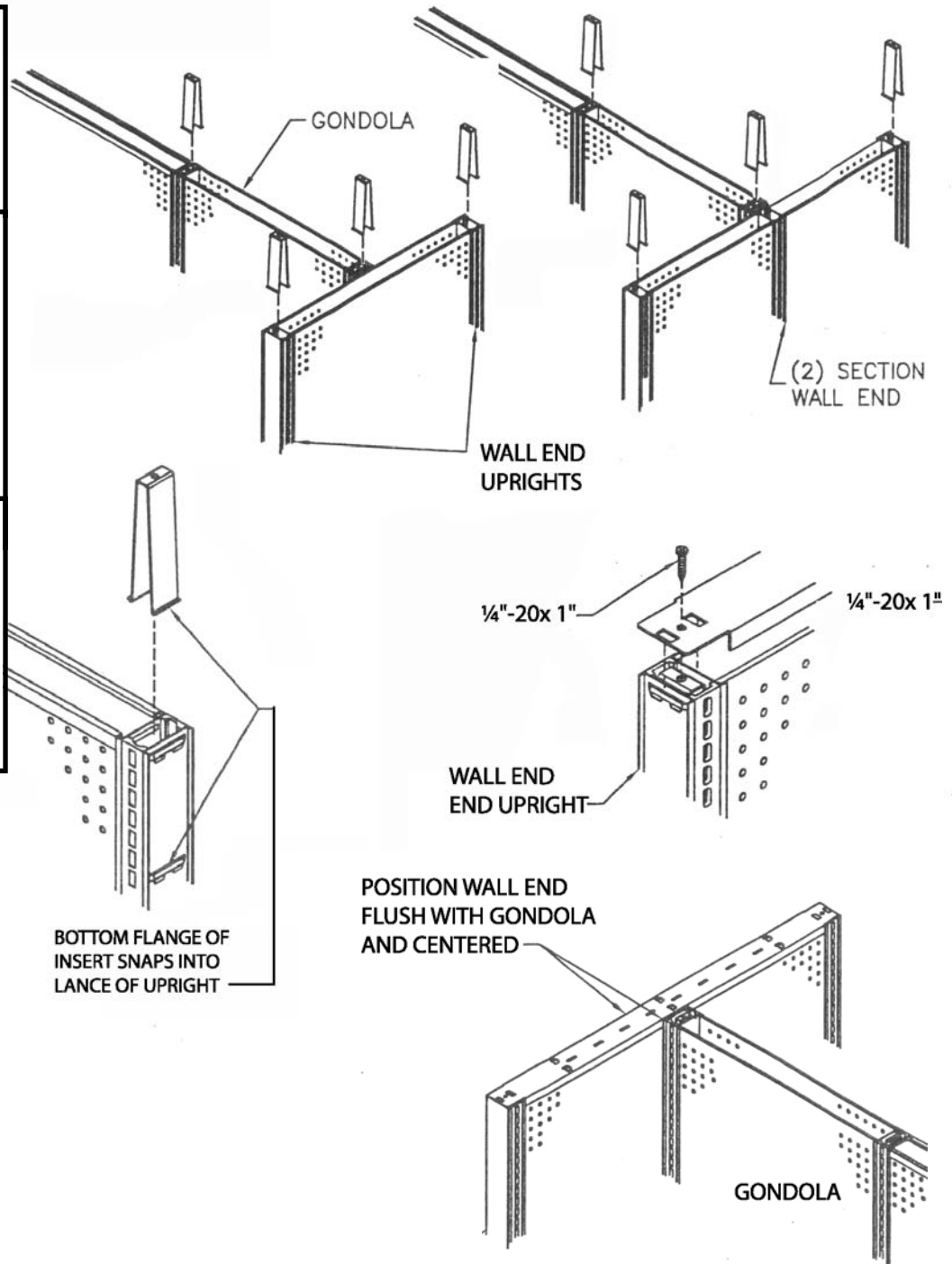
Refer to ASY-046 for proper installation of gondola and wall sections. *TOP CAPS must be removed or left off last gondola section and wall ends! (except over-height wall ends)*

2

Install upright inserts into tops of uprights. Refer to previous pages for qty. as shown in each WALL END STABILIZER kit. Squeeze inserts and push in until inserts lock in place and will not pull out. *On double wall sections, middle upright does NOT receive insert.*

3

Make certain wall end is centered with Gondola. Adjust levelers until wall end is flush with top of gondola (except for taller wall ends which use WESOE) Install stabilizer top rail using the provided 1/4"-20x1" screws. One on each end.



# WALL END STABILIZERS

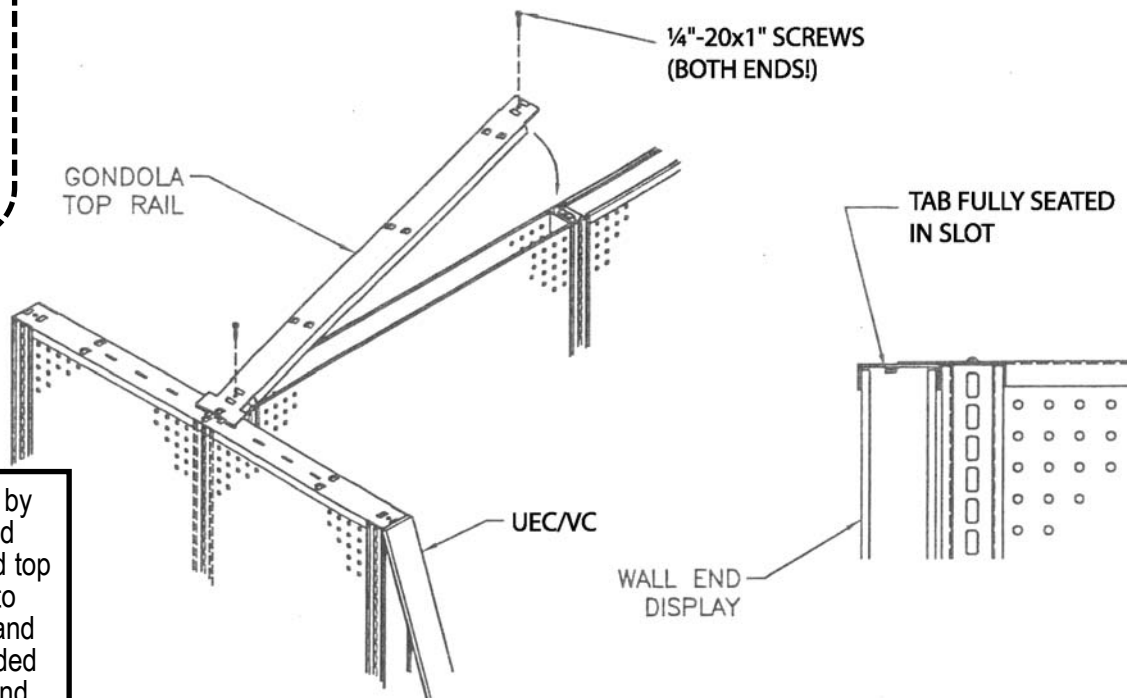
**ASY1-292**

## INSTALLATION INSTRUCTIONS



**DO NOT EXCEED THE  
MAXIMUM LOAD  
RATINGS!**

Recommended maximum load is  
150 lbs. per individual shelf!  
400 lbs total per section!



**4** Install the gondola top rail by inserting the tabs on the end into the slots in the wall end top rail. Rotate top rail down into position on top of gondola and secure to inserts with provided 1/4"-20x1" screws on each end. Make certain tabs are fully seated. For WESEU top rails, secure to upright extension with (2) TEK screws.

**1** For WESOE: Gondola top rail screws to inserts as usual, while Wall End has no special top rail and retains standard top cap. Place connector channel on VDB and install VDB 3" above height of gondola. Align connector channel with gondola and secure to VDB with TEK screws provided. Secure connector channel to gondola with TEK screws.

