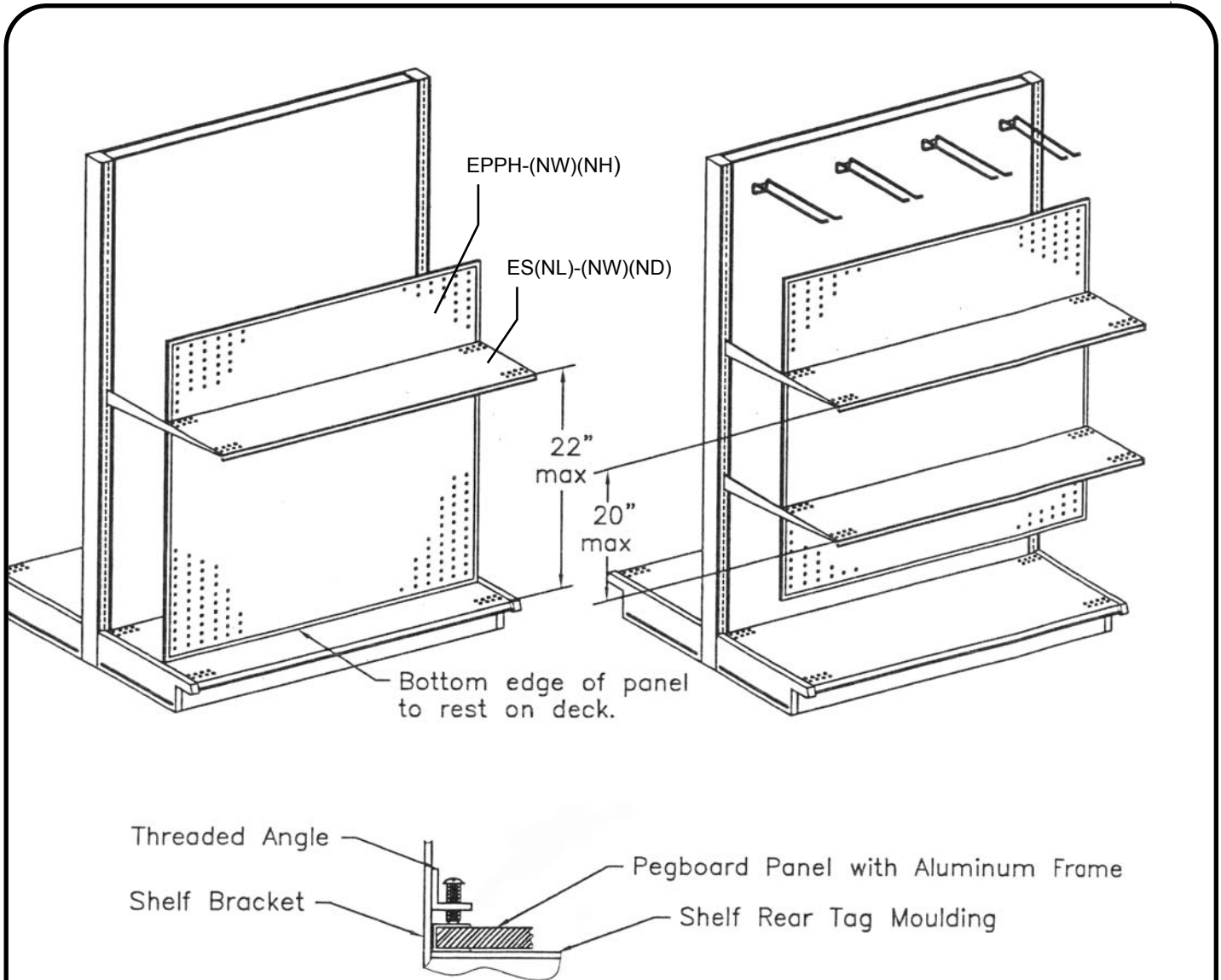


BROOM/CURTAIN & DRAPERY DISPLAY

ASY1-291

INSTALLATION INSTRUCTIONS



1

For Broom Display, hang shelves in uprights a maximum of 20" apart.
For Curtain Display, hang single shelf a maximum of 22" above base shelf.

2

Adjust screws out on threaded tabs welded to inside of shelf brackets. Position panel behind the shelf and captured between shelf back and welded tabs. Adjust to desired height and tighten set screws against aluminum frame. Broom display may be set at any desired height above base.



P.O. BOX 729 / TERRELL, TEXAS 75160 / 972.563.5744 / 800.776.2349
P.O. BOX 177 / GOODWATER, ALABAMA 35072 / 205.839.6354 / 800.633.6282

REV

REV#	ECN#	REVISION	BY	DATE	REV#	ECN#	REVISION	BY	DATE
	AL3970		AJB	8/15/05					