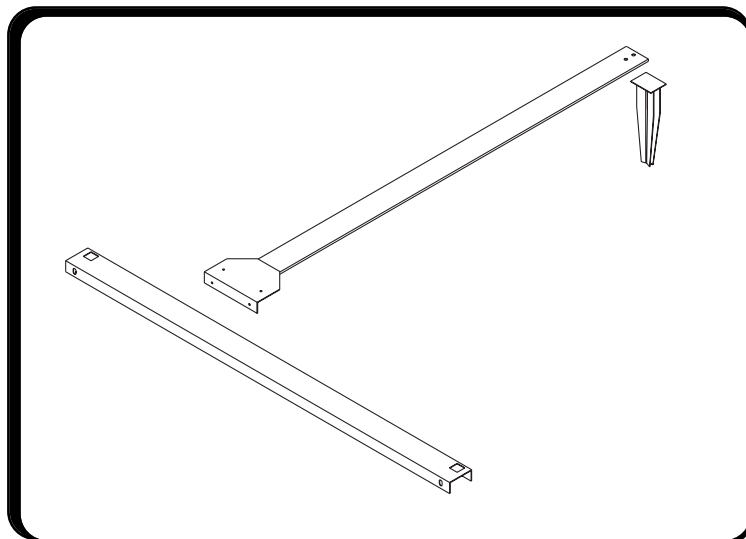
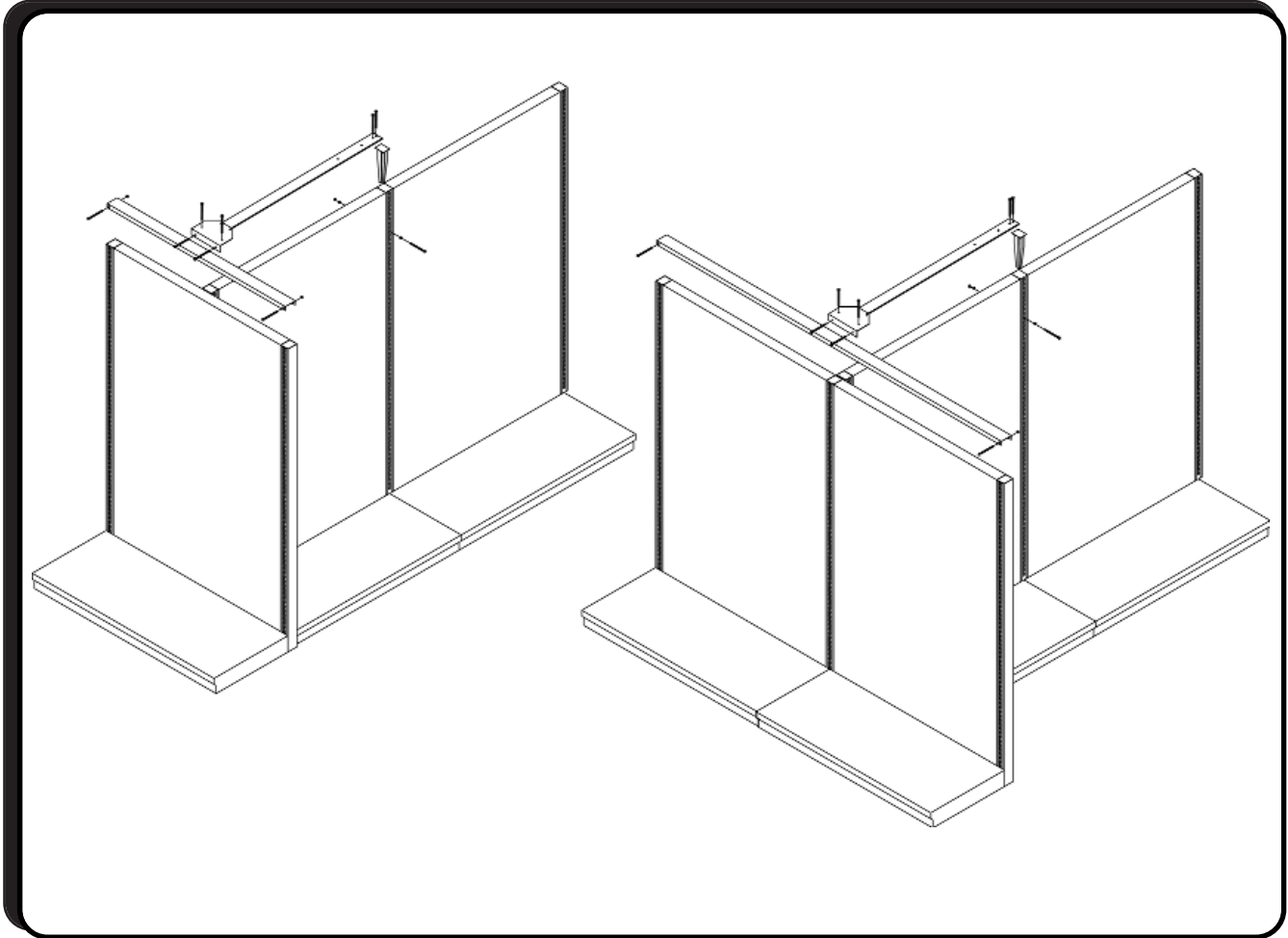


WALL END GONDOLA REVISED ADAPTER KIT

PAGE 1 OF 3

ASY1-071

PARTS IDENTIFICATION



Components for these end displays are ordered individually. Consult installation instruction ASY-046 for identification and use of parts other than those shown here.

WALL END GONDOLA REVISED ADAPTER KIT

PAGE 2 OF 3

ASY1-071

INSTALLATION INSTRUCTIONS

WSEMIK HARDWARE PACK #7200-123

QTY.	ITEM DESCRIPTION
2	E #10 x 1" Phillips truss head , TEK-3, sheet metal screw
2	F #8 x 1/2" Phillips pan head, TEK-2, sheet metal screw
4	G 5/16"-18 x 3 1/4" carriage bolt
4	H 5/16" flat washer
4	I 5/16-18 hex nut

E...indicates item, where used.

1

Set wall section stabilizer over the top of the wall section and bolt through the top slot of the uprights as shown... BOTH ENDS.

