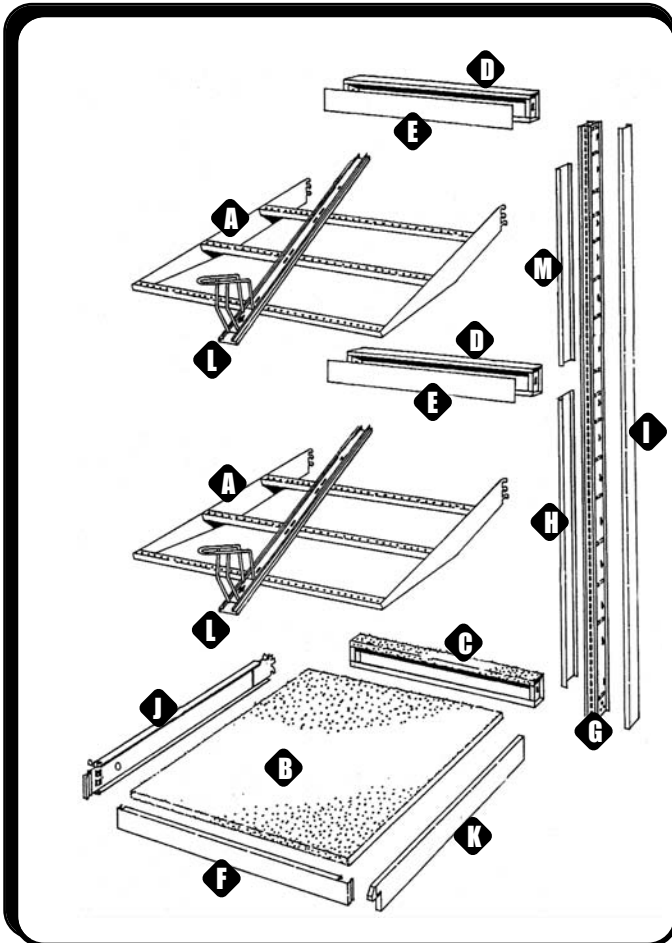
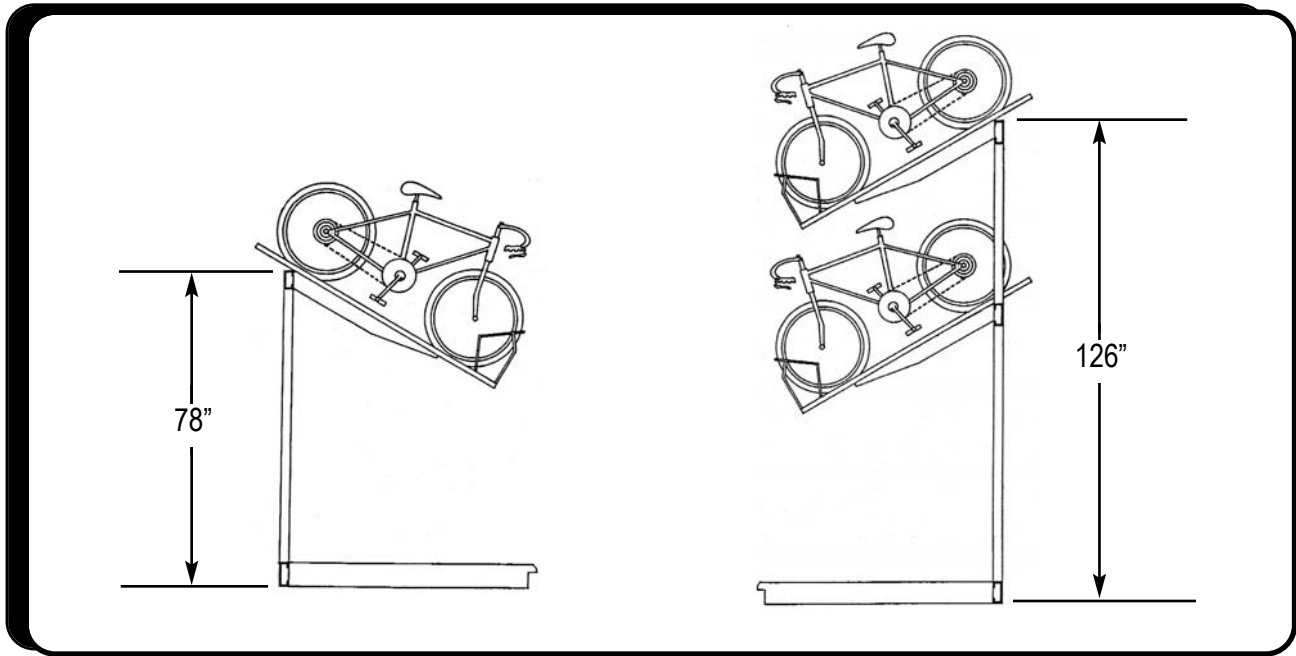


# STANDARD MAXI BIKE RACK

PAGE 1 OF 8

ASY1-069

## INSTALLATION INSTRUCTION

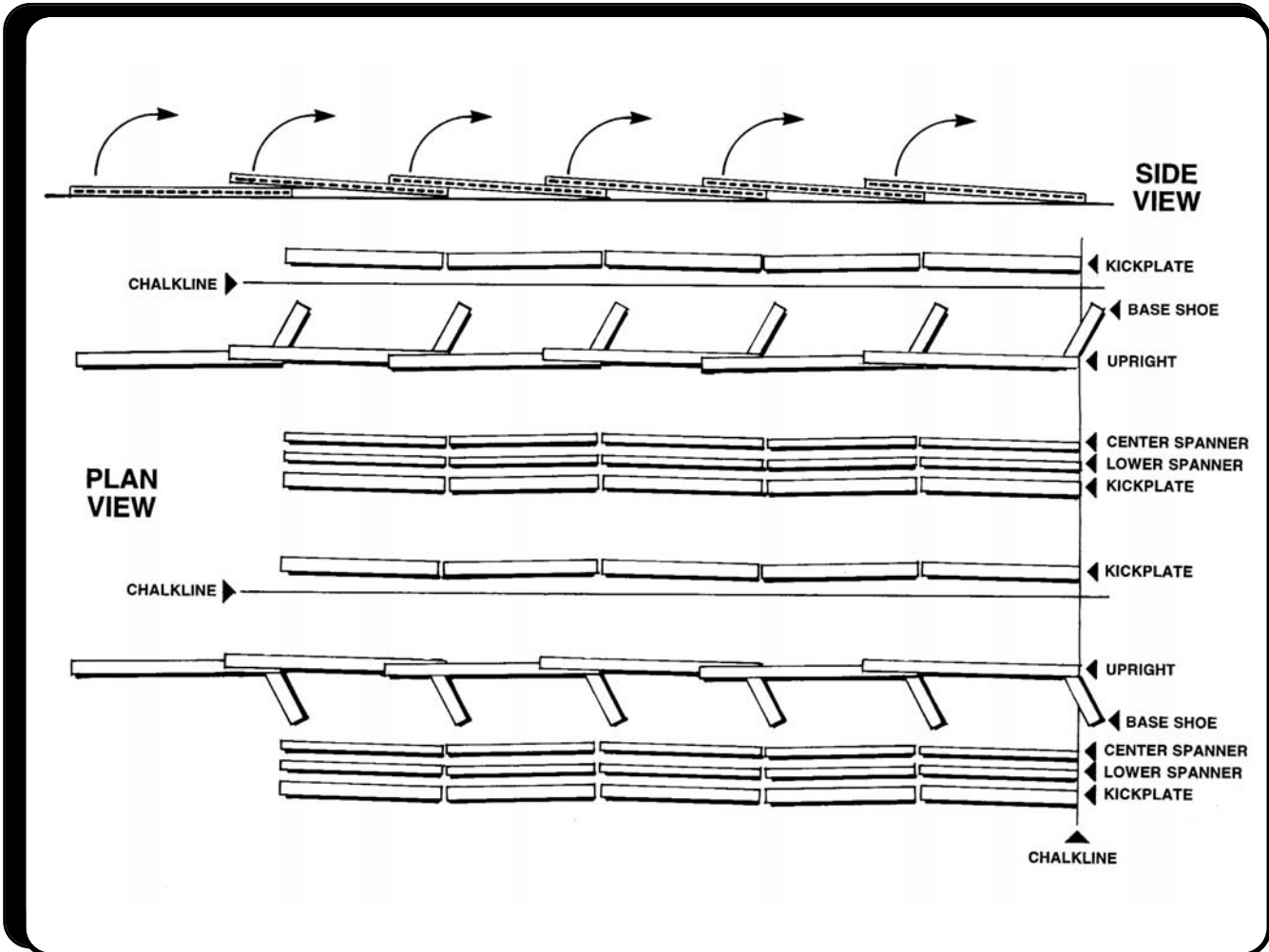


- A** Bike Rack Upper Shelf, 30 degrees *downslope*.
- B** Bike Rack Platform, *carpeted*.
- C** Bike Rack Open Back Stiffener, *carpeted*.
- D** Open Back Stiffener
- E** Open Back Stiffener Cover
- F** Bike Rack Kickplate
- G** Basic Upright
- H** Open Back Trim
- I** Upright End Cover
- J** Bike Rack Base Shoe
- K** Bike Rack Base End Cover
- L** Bike Rack Bike Holder, 30 degrees *downslope*
- M** Extension Upright End Cover

# STANDARD MAXI BIKE RACK

PAGE 2 OF 8  
**ASY1-069**

## INSTALLATION INSTRUCTION



**1**

Snap chalklines on the floor for fixture alignment. Each kickplate is recessed 1-5/8" from the base shelf. This will place the chalklines at the front of each base shoe to aid in aligning the uprights as the gondola is erected.

NOTE! Re-Check the chalkline for accuracy...Madix is not responsible for damages caused by moving an assembled fixture.

**2**

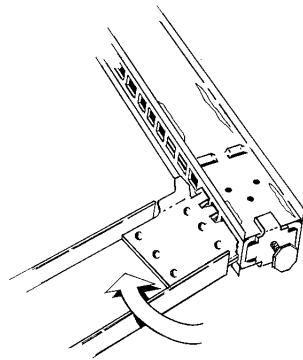
Layout parts as shown above with kickplates and open back stiffeners end to end. Uprights should overlap as shown in side view so that the bottom of each upright will stand at the break in the kickplates.

# STANDARD MAXI BIKE RACK

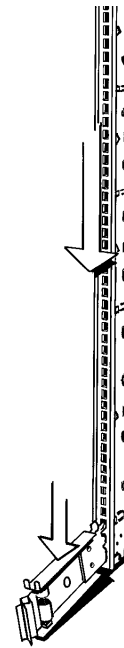
## INSTALLATION INSTRUCTION

3

Insert one 58" shoe into each upright....shoes do have to be locked in at this time and pinned.



3

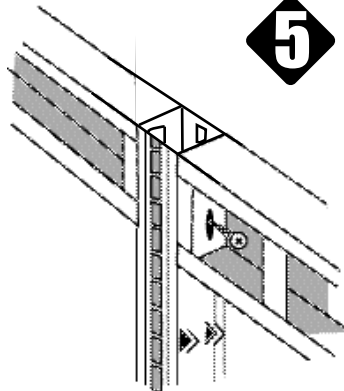


4

Install a carpeted open back stiffener, OBS-4-C, at the base as shown...there is no top or bottom to the OBS.

**NOTE!**

Leave all OBS joining screws slightly loose to permit raising of OBS for access to the upright levelers.



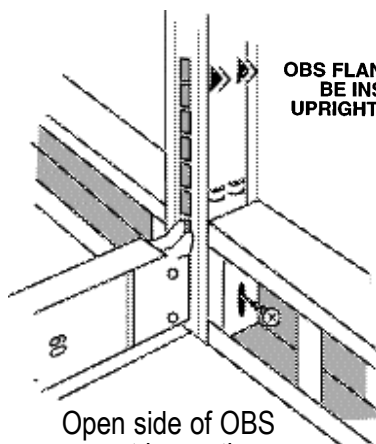
5

5

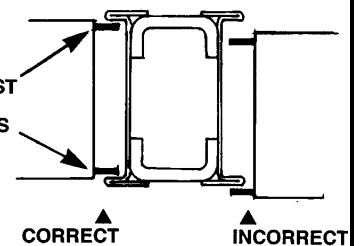
Install a second open back stiffener, OBSWC-4, no carpet, at the top of the basic upright. (78" or 126")

**NOTE!**

Leave all OBS joining screws slightly loose to permit proper leveling.



OBS FLANGES MUST BE INSIDE OF UPRIGHT FLANGES



CORRECT

INCORRECT

4

Open side of OBS must be on the same side as the 58" Base Shoe

# STANDARD MAXI BIKE RACK

PAGE 4 OF 8

ASY1-069

## INSTALLATION INSTRUCTION

6

The unit should now look like this.

7

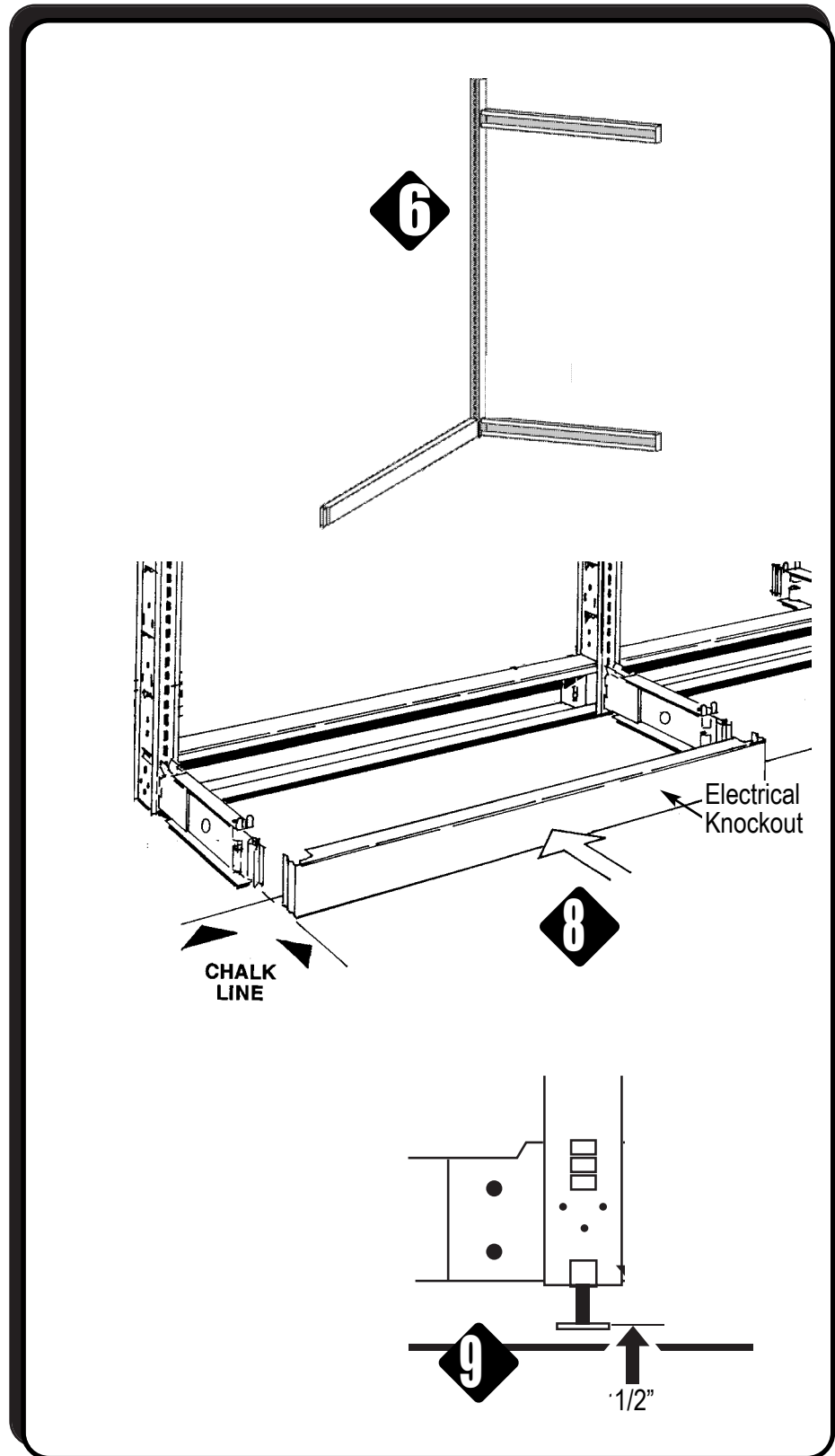
Continue installing base shoes, uprights, lower and middle OBS's to the end of the run. Make sure base shoes are properly positioned.

8

Install all kickplates... kickplates snap in from the front... DO NOT SLIDE DOWN FROM THE TOP! Note! Electrical knockout should be located to the right side of kickplate center.

9

Run upright levelers out 1/2" on both end uprights, pull forward to bring kickplate to chalkline and plumb using carpenters level against the face of the uprights while adjusting the base shoe levelers.



# STANDARD MAXI BIKE RACK

**ASY1-069**

## INSTALLATION INSTRUCTION

**10**

Attach nylon line to end upright as shown... attach line at corresponding slot on the opposite end upright and stretch line so that it is tight and secure.

**11**

Working with the remaining uprights in succession bring kickplates up to chalkline and plumb uprights, adjusting base shoe levelers as required.

**12**

Examine all the upright slots at nylon line to determine the highest upright in the run, excluding the end uprights.

**13**

Raise or lower base shoe levelers as required to bring all upright slots to same point at nylon line. Raise and replumb both end uprights as required if any slotting is above the leveling point at nylon line.

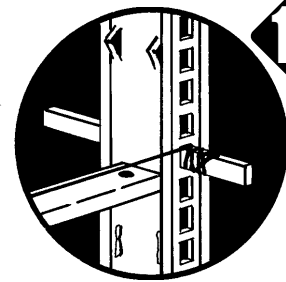
**14**

ADJUST ALL UPRIGHT LEVELERS TO 1/4" CLEARANCE ABOVE THE FLOOR.

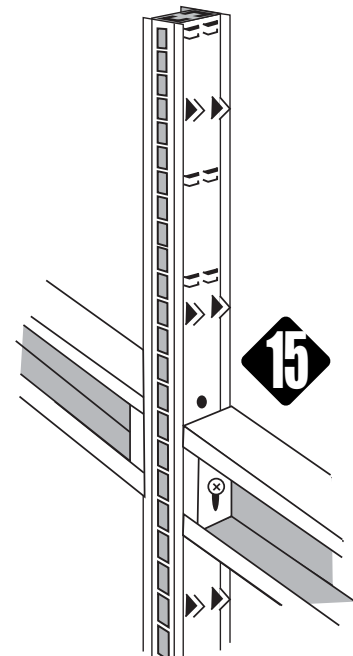
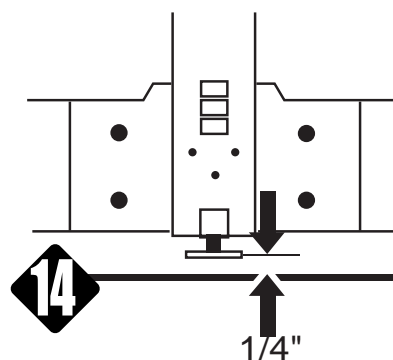
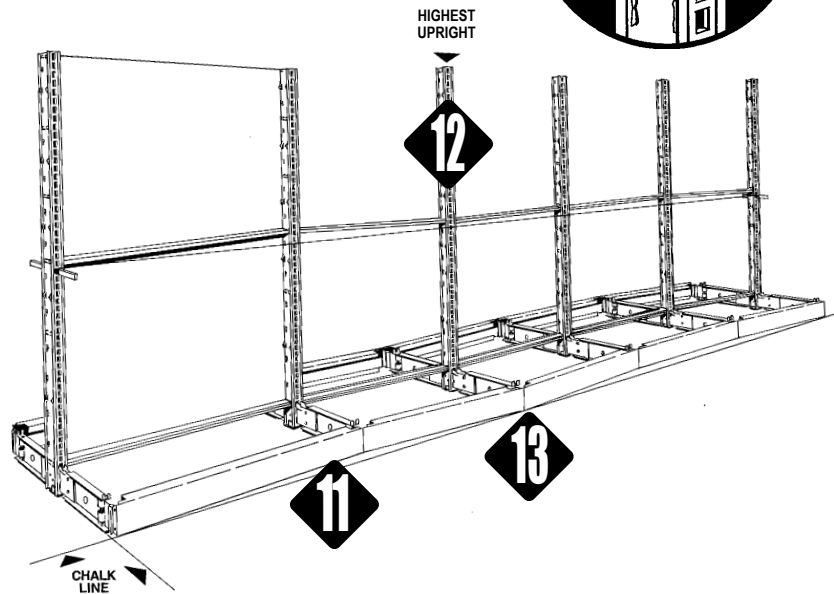
**15**

Install third open back stiffener, OBSWC-4, in the hole located 22 5/16" down from the top of the 66" extension upright and tighten the joining screws.

Use a piece of scrap wood here



**10**



# STANDARD MAXI BIKE RACK

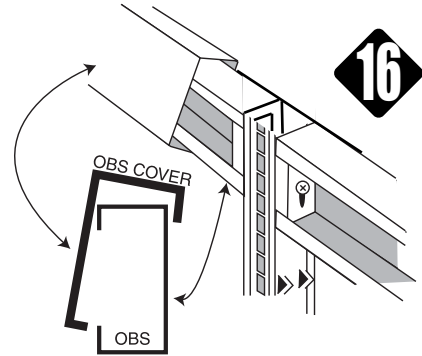
PAGE 6 OF 8

ASY1-069

## INSTALLATION INSTRUCTION

16

Tighten the OBS joining screws at middle and bottom levels. Raise bottom OBS to highest possible position before tightening screws. Snap on OBS covers at the second and third levels as shown.



17

Repeat steps 3 through 16 for second bike gondola.

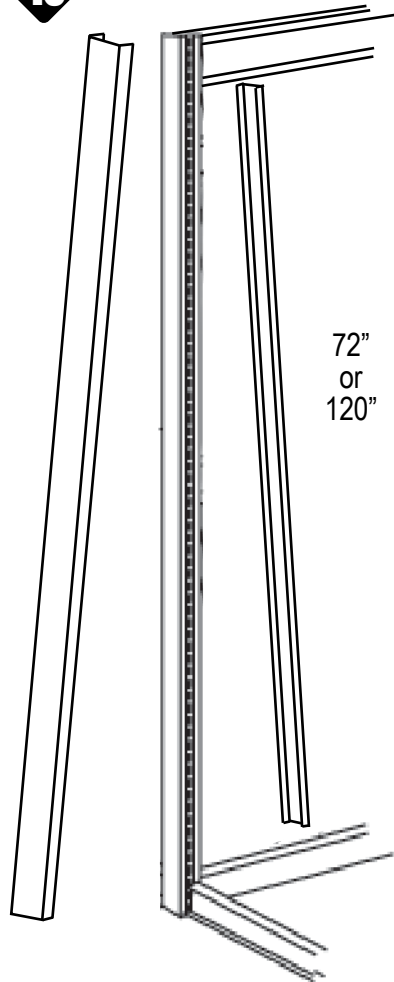
18

Install upright end covers and open back trim as shown...TRIM PIECES SNAP DIRECTLY ON, BEGINNING AT THE TOP.

18

78"  
OR  
126"

72"  
or  
120"



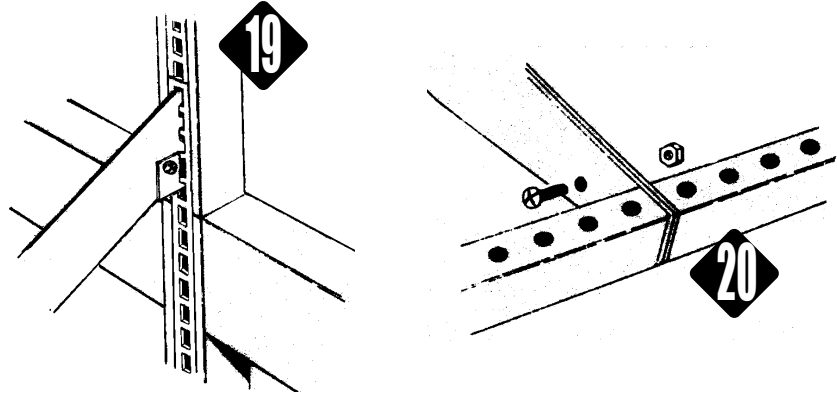
# STANDARD MAXI BIKE RACK

PAGE 7 OF 8  
**ASY1-069**

## INSTALLATION INSTRUCTION

**19**

In the end sections, install a middle level bike rack shelf on the 60" base side, inserting bracket in to the top slot of the 78" upright. Install a top level bike rack shelf at 49" from top of middle level bracket to bottom of upper level bracket. Install the remaining upper level shelves at the same height. Position and secure lock clip as in step 23... one lock clip per upright.



**20**

In predrilled location at front end of bracket, secure upper level bike rack shelves together using 1/4"-20x3/4" Phillips truss head machine screw and 1/4"-20 hex nut.

**21**

Install bike rails on upper level bike shelves. The rails must be angled and spaced correctly per the diagram.

