

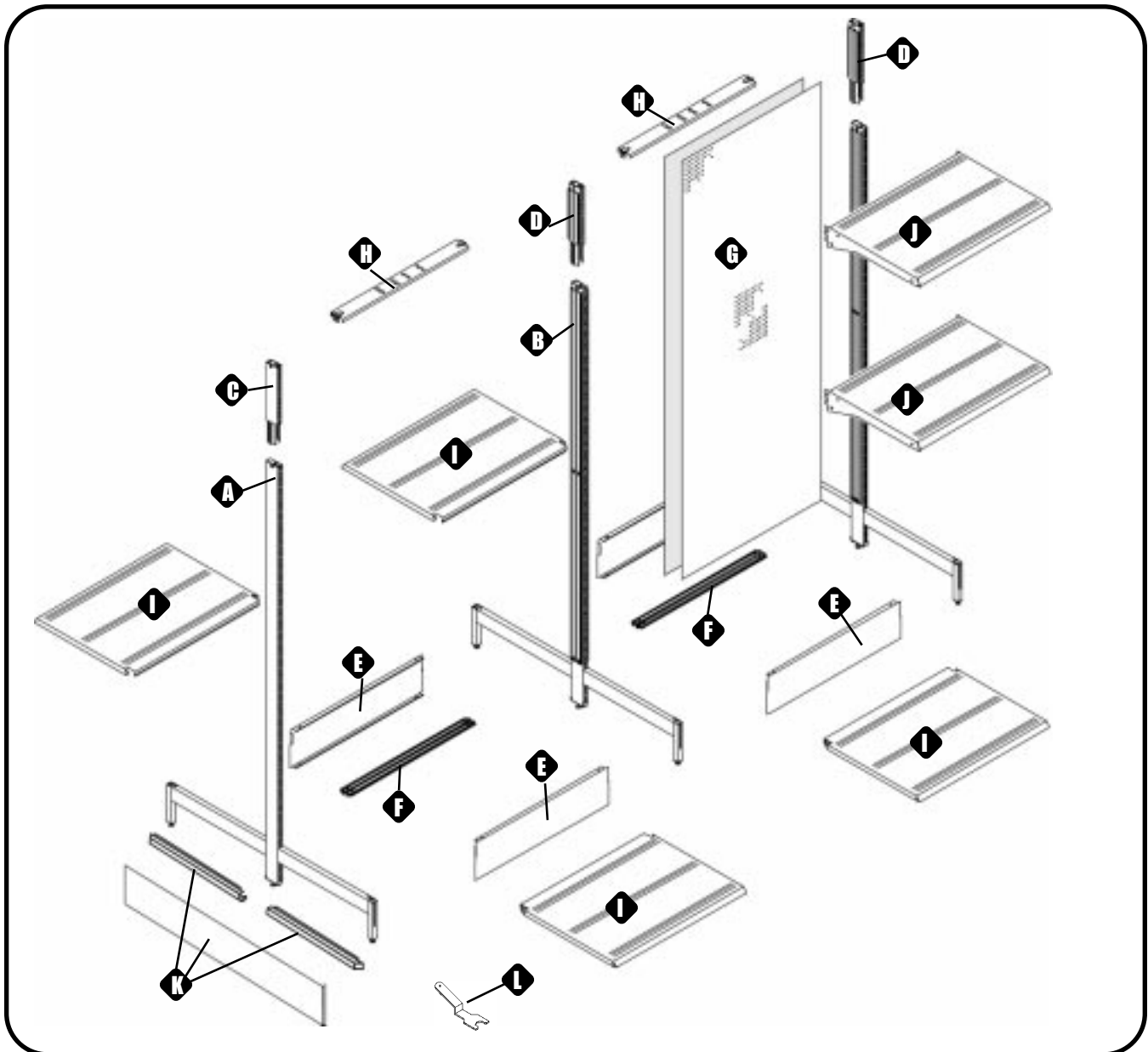
# TUBELINE TRIPLE TRACK

PAGE 1

ASY1-042

GONDOLA COUNTERS

PARTS IDENTIFICATION



- A) End Upright
- B) Intermediate Upright
- C) End Upright Extension
- D) Intermediate Upright Extension
- E) Kickplate
- F) Bottom Stretcher
- G) Back Panel

- H) Top Cap
- I) Side Deck
- J) Metal Shelf
- K) Counter end Dress Kit
- L) Leveling Wrench



# TUBELINE TRIPLE TRACK

## GONDOLA COUNTERS

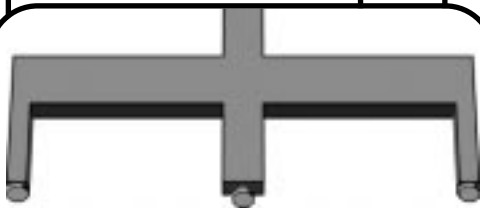
### PREPARING FOR INSTALLATION

**A**

Since the structural system of the tubeline gondola consists of the uprights and the kickplates, it is necessary to assemble these first. It is helpful to lay out the uprights and kickplates for this initial set up as shown in figure A. A chalk line should be used as a guide for alignment of the run. Parts that follow to complete the run are shown in order of assembly in figure A.

**!**

At this time, it is recommended to run the center leveling legs almost completely in and run the outer legs out approximately 3/4". This will aid in leveling and plumbing the standing run.

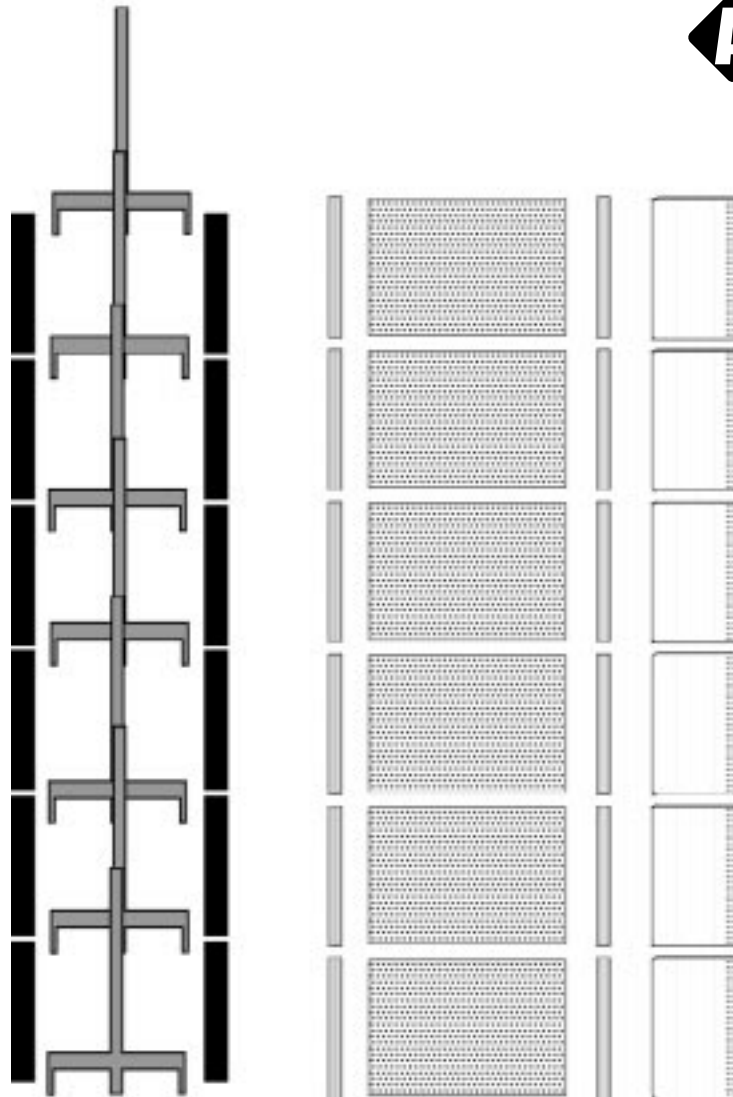


OUT  
3/4"

IN

OUT  
3/4"

**A**



1) INITIAL  
STRUCTURE  
UPRIGHTS &  
KICKPLATES

2) BOTTOM  
STRETCHER

3) BACKS

4) TOP CAPS

5) BASE  
DECKS



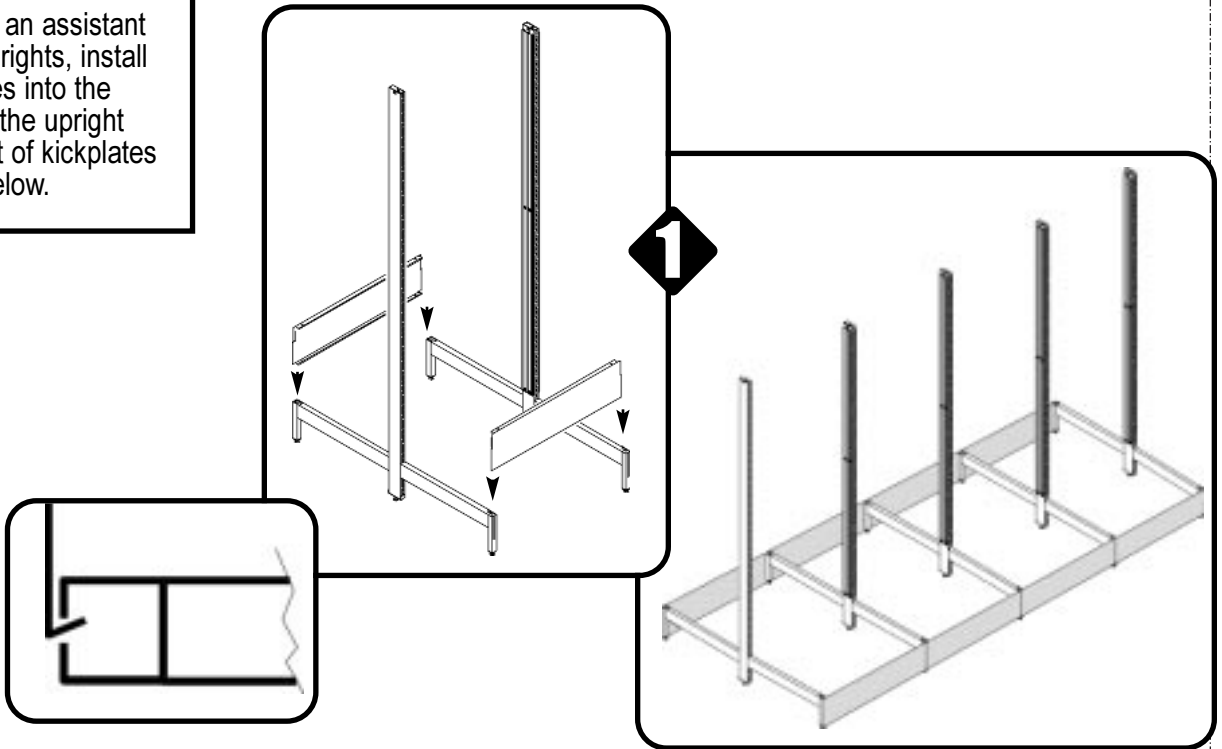
# TUBELINE TRIPLE TRACK

PAGE 3

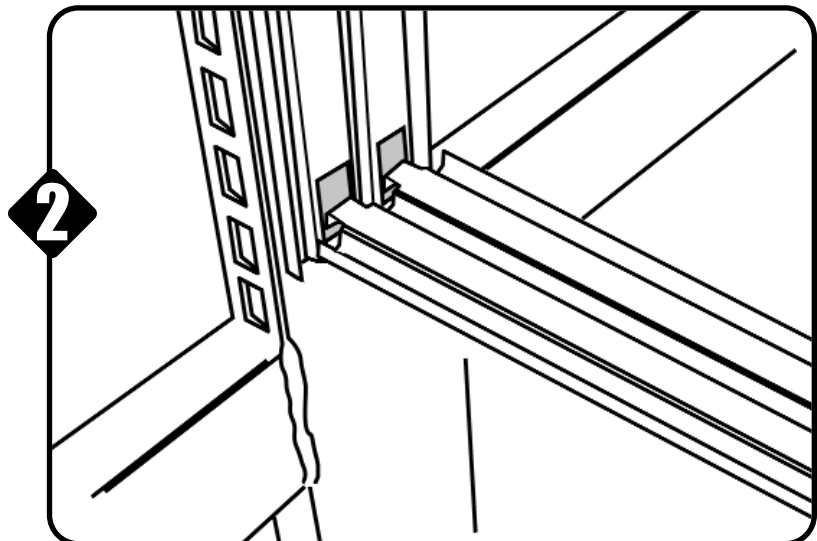
ASY1-042

GONDOLA COUNTERS  
KICKPLATES AND BOTTOM STRETCHERS

**1** First, while an assistant holds the uprights, install the kickplates into the channels of the upright legs. Note fit of kickplates as shown below.



**2** Next, install the bottom stretchers into the slots on the uprights.



**madix™**  
STORE FIXTURES

P.O. BOX 729 / TERRELL, TEXAS 75160 / 972.563.5744 / 800.776.2349  
P.O. BOX 177 / GOODWATER, ALABAMA 35072 / 256.839.6354 / 800.633.6282

# TUBELINE TRIPLE TRACK

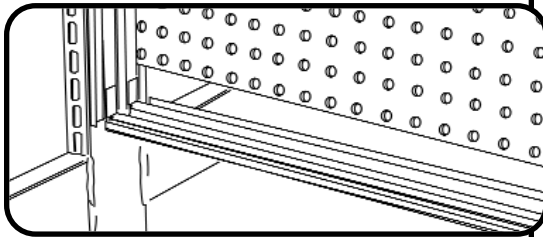
PAGE 4

ASY1-042

GONDOLA COUNTERS  
BACKS AND EXTENSIONS

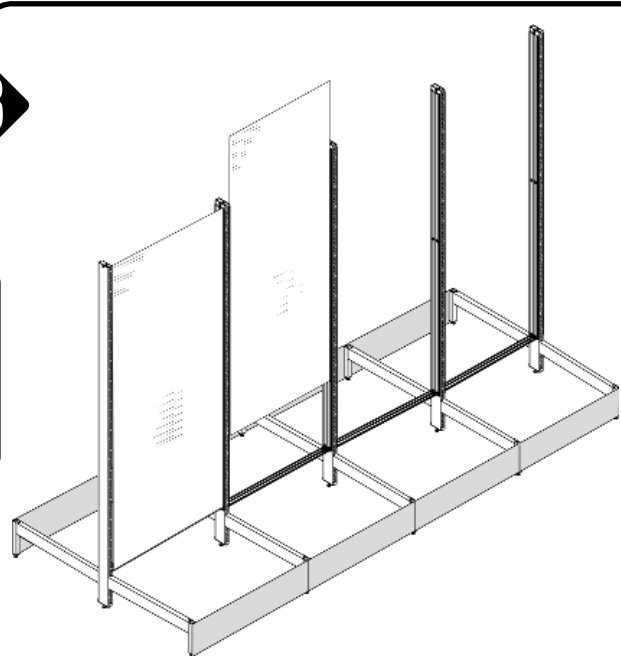
3

Next, with the help of an assistant, install the back panels into the triple track channels of the uprights. **DO NOT DROP** the backs into the bottom stretchers!



**DO NOT DROP BACKS!**

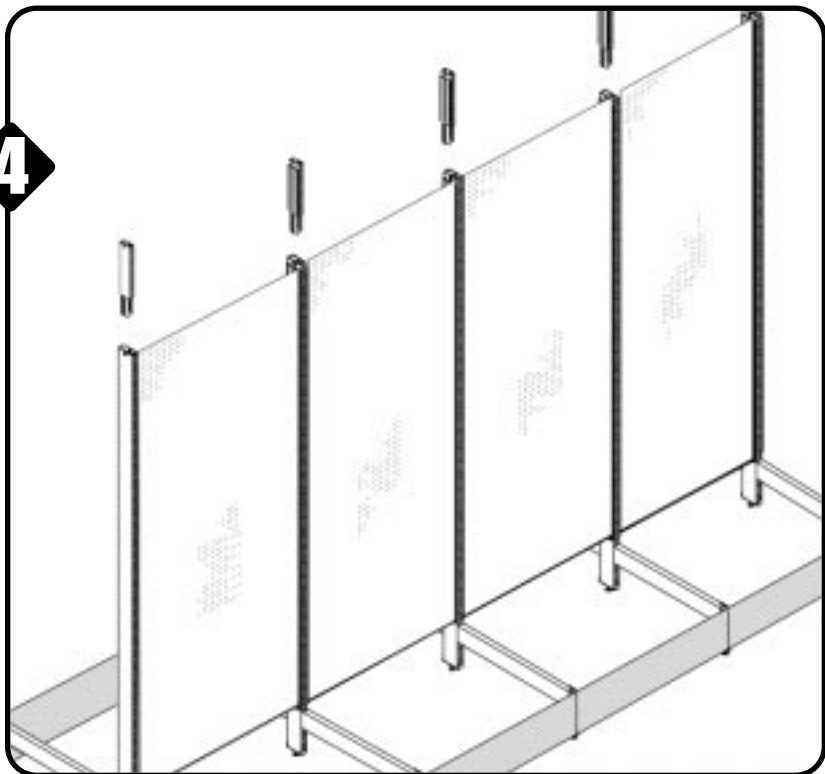
3



4

If upright extensions are used, install them into the tops of the uprights. Install back panel extensions once upright extensions are secured.

4



**madix™**  
STORE FIXTURES

P.O. BOX 729 / TERRELL, TEXAS 75160 / 972.563.5744 / 800.776.2349  
P.O. BOX 177 / GOODWATER, ALABAMA 35072 / 256.839.6354 / 800.633.6282

# TUBELINE TRIPLER TRACK

PAGE 5

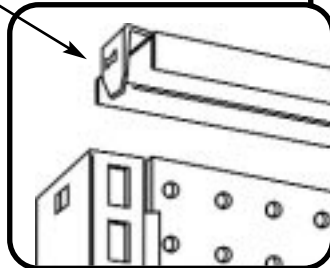
ASY1-042

GONDOLA COUNTERS

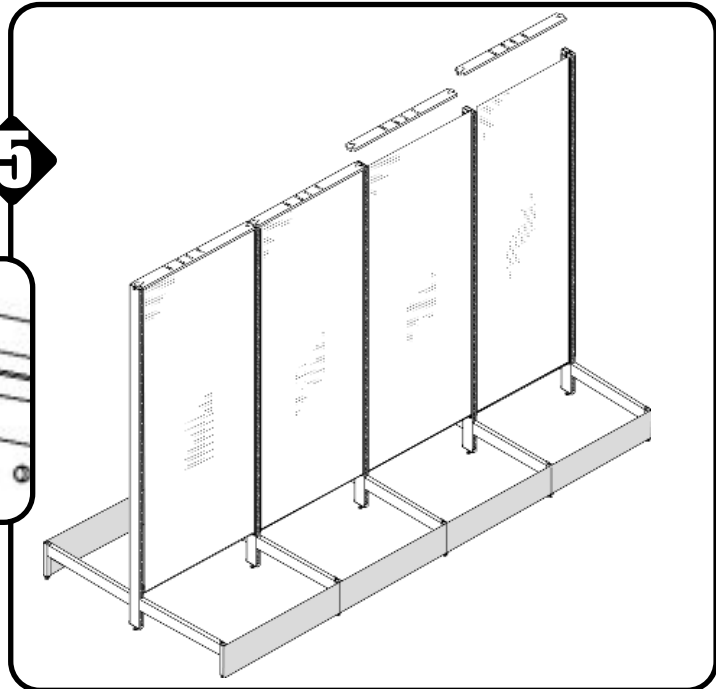
TOP CAPS AND GONDOLA ALLIGNMENT

5

Next, install the top caps. Note that the protrusion on the top cap tab snaps securely into the hole in the upright.

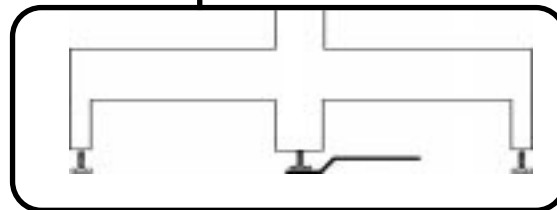


5

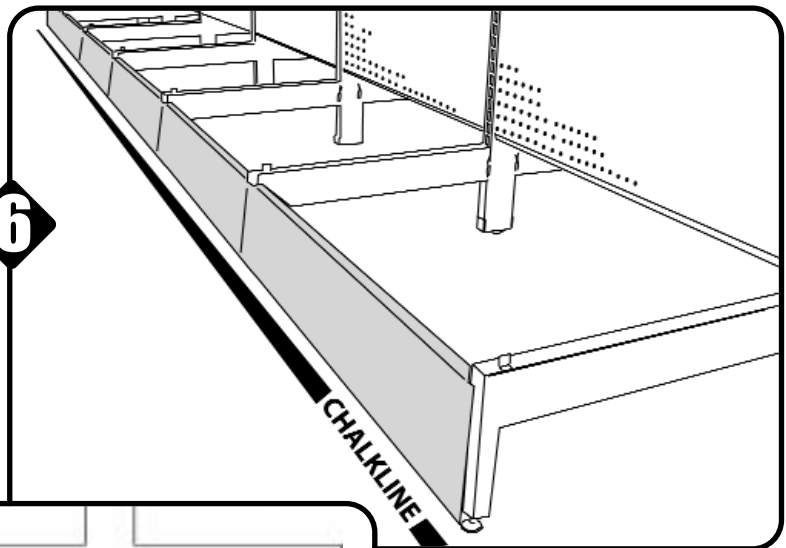


6

Next, adjust uprights so that the entire run is in alignment with the chalk line. **NOTE: Recheck chalk line carefully for accuracy. Madix is not responsible for damages resulting from moving an assembled fixture.** Plumb by using a level on the face of each upright while adjusting the outer leveling legs. The center leveling leg of all uprights should be run out and left at a clearance of approximately 3/16", or the thickness of the leveler wrench.



6



madix™  
STORE FIXTURES

# TUBELINE TRIPLE TRACK

PAGE 6

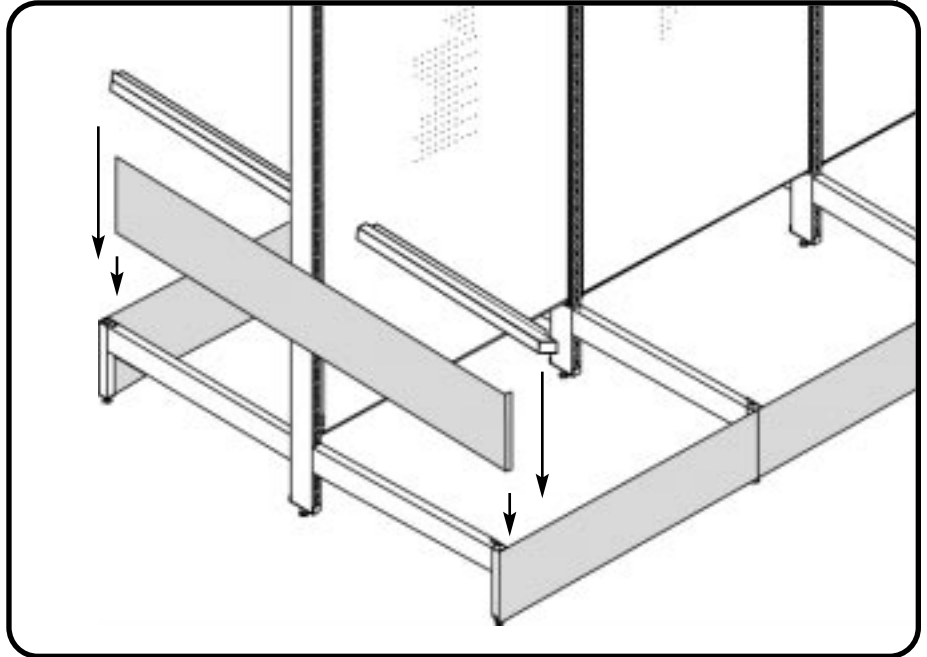
ASY1-042

GONDOLA COUNTERS

DRESS KIT AND SIDE DECKS

7

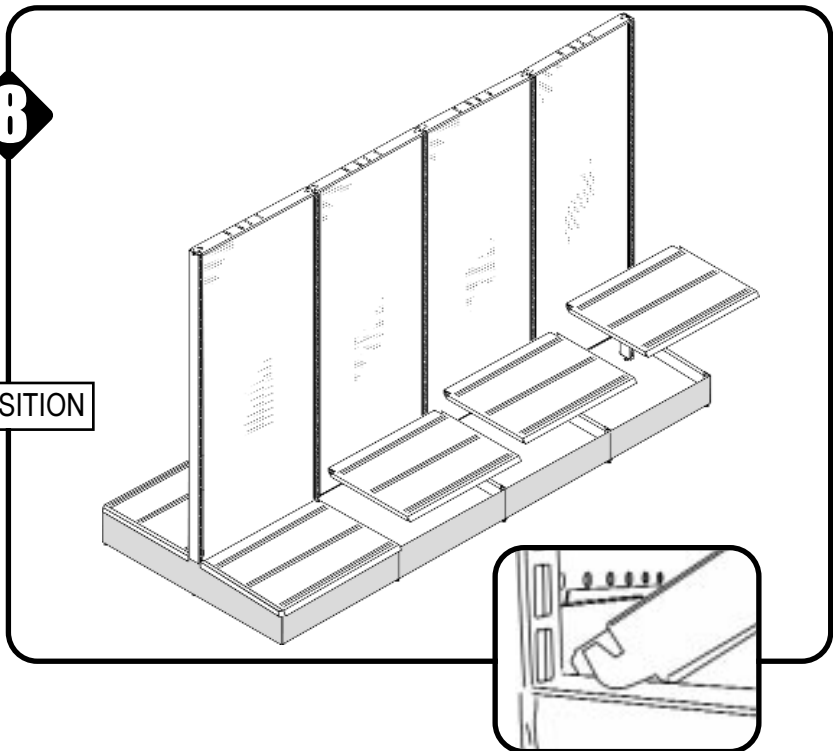
Install dress kit on ends of counters. The two upper trim pieces will be secured in place by the side decks in the following step.



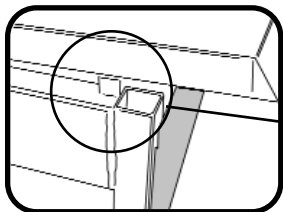
8

Side decks are tilted up, then down to lock brackets into uprights. Tabs on uprights should locate to the outside of the base decks.

8



NOTE TAB POSITION



**madix**  
STORE FIXTURES

P.O. BOX 729 / TERRELL, TEXAS 75160 / 972.563.5744 / 800.776.2349  
P.O. BOX 177 / GOODWATER, ALABAMA 35072 / 256.839.6354 / 800.633.6282

