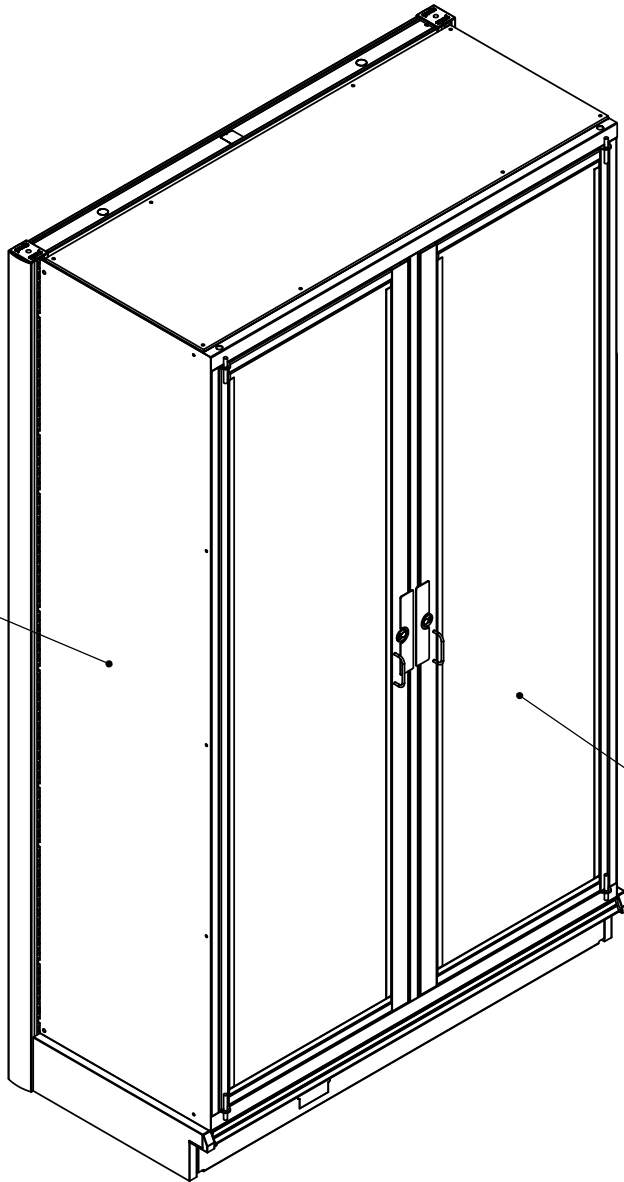


ASY FOR LSCGM AND LSCSP

LSCSP(NH)(ND)
LSCSP8420 SHOWN



STARTER INSTALLATION:

- A STARTER CONSIST OF (1) LSCGM AND (2) LSCSP
- IF CABINET IS A STAND ALONE UNIT, MOUNT BOTH SIDE PANELS AS SHOWN IN STEP 5.
- IF THERE WILL BE MULTIPLE CABINETS IN A RUN ONLY MOUNT THE END SIDE PANELS WITH SCREWS. LEAVE THE CENTER PANELS LOOSE (NO SCREWS)

ADD-ON INSTALLATION:

- AN ADD-ON CONSIST OF (1) LSCGM AND (1) LSCSP
- IF ADD-ON CABINET IS NOT THE LAST CABINET IN A RUN, DO NOT USE SCREWS TO MOUNT THE SIDE PANEL.
- IF ADD-ON CABINET IS THE LAST CABINET IN A RUN, MOUNT THE SIDE PANEL USING THE PROVIDED SHEET METAL SCREWS. SEE STEP 5

LSCGM(NW)(NH)(ND)(DOOR)
LSCGM488420P SHOWN



madix
ASY-80028969

P.O. BOX 729 TERRELL, TEXAS 75160
214-515-5400 / 800-776-2349

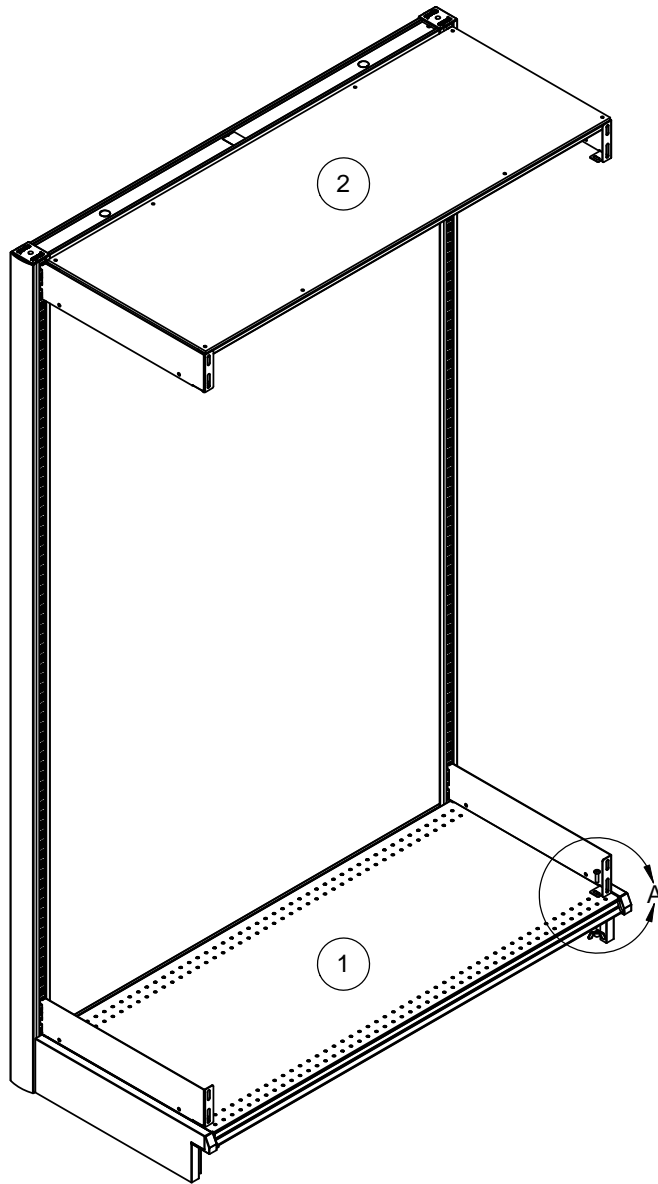
PAGE 1 OF 1

REV. 00

DDOYLE

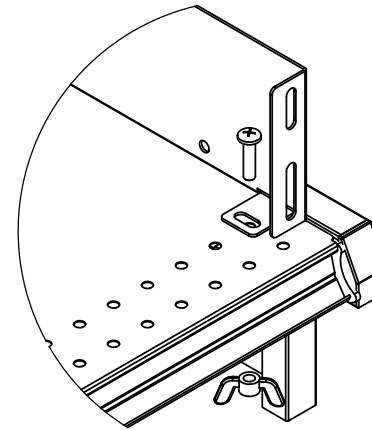
ECM # 500000011006

ASY FOR LSCGM AND LSCSP



STEP 1: MOUNT LOWER BRACKETS

- REMOVE THE KICKPLATE FROM THE GONDOLA SECTION.
- INSERT THE LOWER BRACKETS SO THAT THEY REST FLUSH ON TOP OF THE BASE DECK.
- USE THE 3/4" SCREWS AND LOCKING WING NUT TO MOUNT BRACKETS TO THE BASE DECK.
- RE-INSTALL THE KICK PLATE.



DETAIL A
SCALE 1 : 4

STEP 2: INSTALL TOP FRAME WITH PLEX

- INSTALL THE TOP FRAME IN THE LAST AVAILABLE SLOT IN THE UPRIGHT.

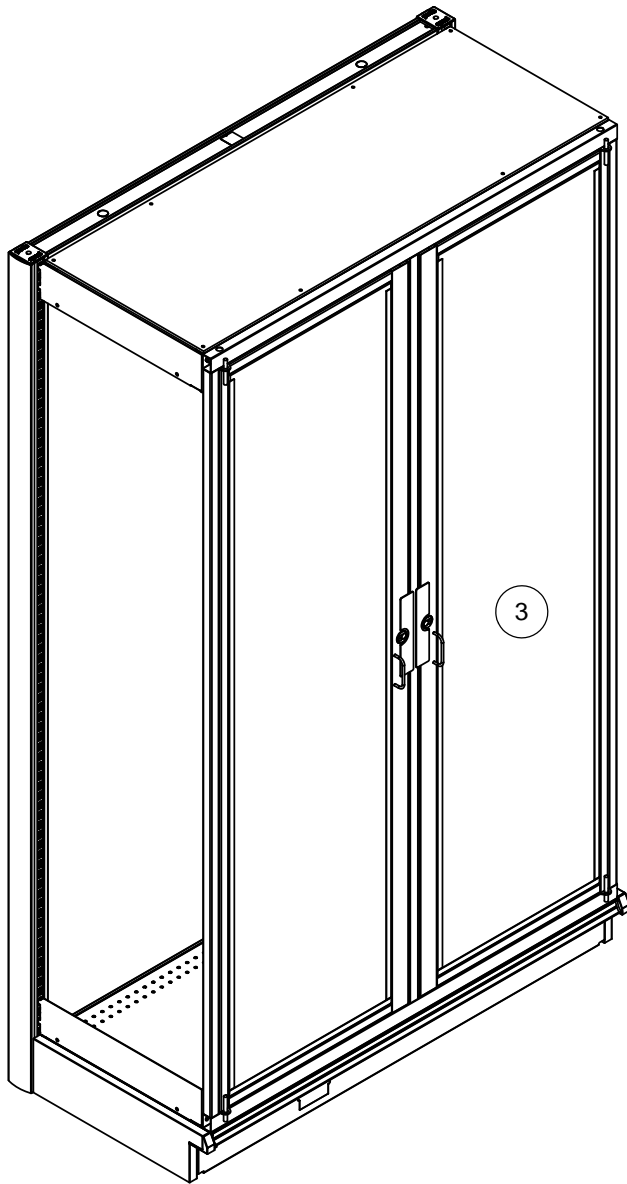


madix
ASY-80028969

P.O. BOX 729 TERRELL, TEXAS 75160
214-515-5400 / 800-776-2349

PAGE 1 OF 1 REV. 00
DDOYLE ECM # 500000011006

ASY FOR LSCGM AND LSCSP



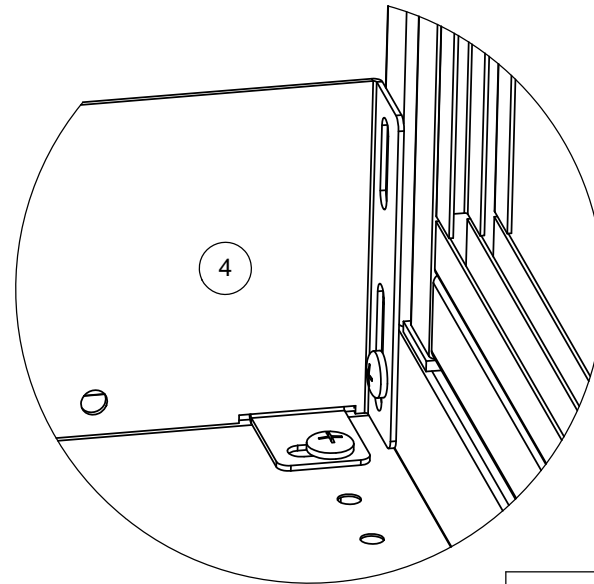
STEP 3: PLACE PRE-ASSEMBLED DOOR

- PLACE PRE-ASSEMBLED DOOR FRAME ON BASE DECK WITH DOOR PULLS AND HINGES FACING OUTWARD.

- LINE UP RIV NUTS IN BACK OF DOOR FRAME WITH SLOTS IN UPPER AND LOWER BRACKETS.

STEP 4: MOUNT DOOR TO UPPER AND LOWER BRACKETS

- USE PROVIDED 3/4" SCREWS TO MOUNT DOOR FRAME TO UPPER AND LOWER BRACKETS.



madix™

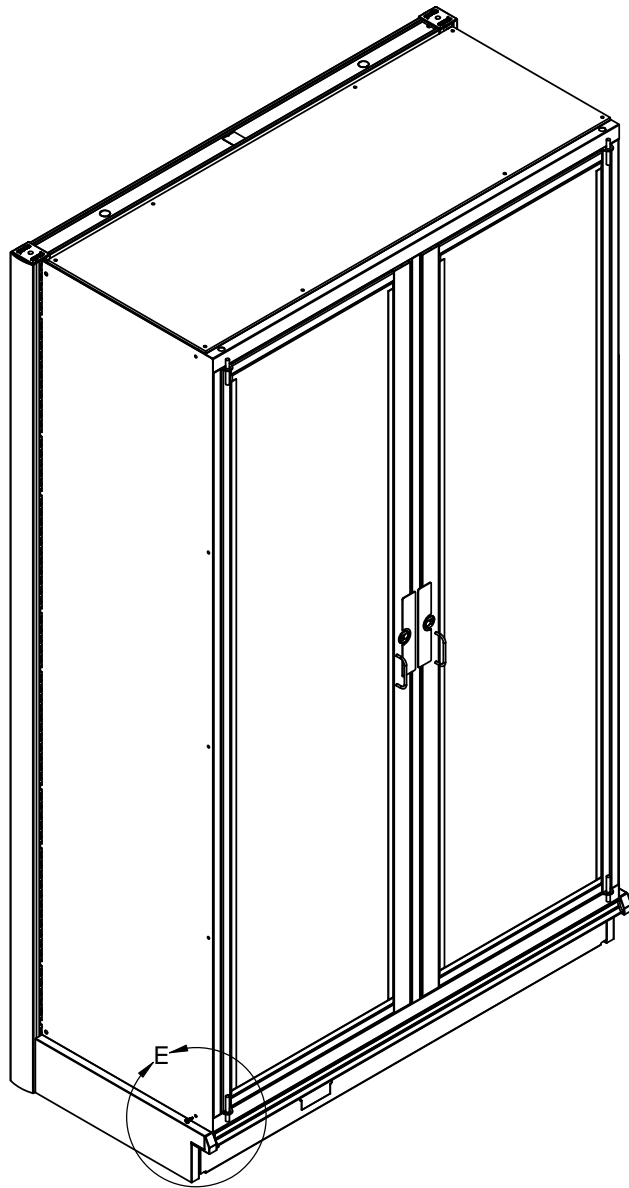
madix
ASY-80028969

P.O. BOX 729 TERRELL, TEXAS 75160
214-515-5400 / 800-776-2349

PAGE 1 OF 1 REV. 00

DDOYLE ECM # 500000011006

ASY FOR LSCGM AND LSCSP



STEP 5: **MOUNT SIDE PANELS

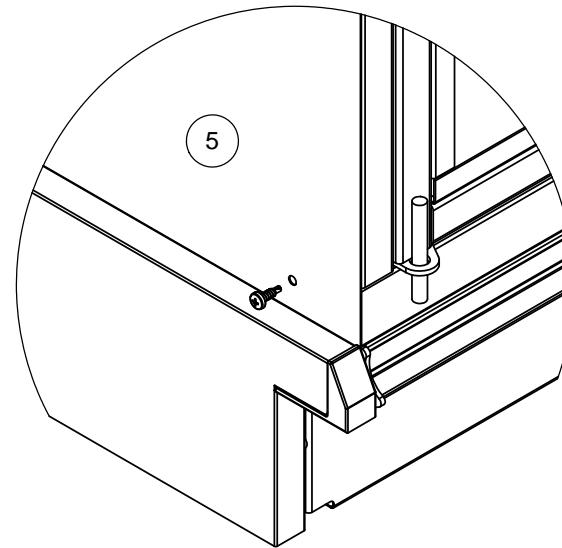
- INSTALL SIDE PANELS INTO UPRIGHT. PANELS SHOULD BE FLUSH AT THE TOP AND FRONT OF CABINET. PANEL SHOULD SIT 5/8" BELOW BASE DECK.

- **USE PROVIDED SHEET METAL SCREWS TO SECURE SIDE PANELS TO CABINET(5 PLACES EACH).

** IF PANEL WILL BE BETWEEN TWO CABINETS THEY DO NOT HAVE TO BE SECURED WITH SCREWS.

** PANELS ARE OPTIONAL BETWEEN CABINETS AND MAY NOT BE NECESSARY TO COMPLETE THE ASSEMBLY.

** ALWAYS SECURE THE PANELS ON EITHER END OF A RUN.



DETAIL E
SCALE 1 : 4



madix
ASY-80028969

P.O. BOX 729 TERRELL, TEXAS 75160
214-515-5400 / 800-776-2349

PAGE 1 OF 1

REV. 00

DDOYLE

ECM # 500000011006