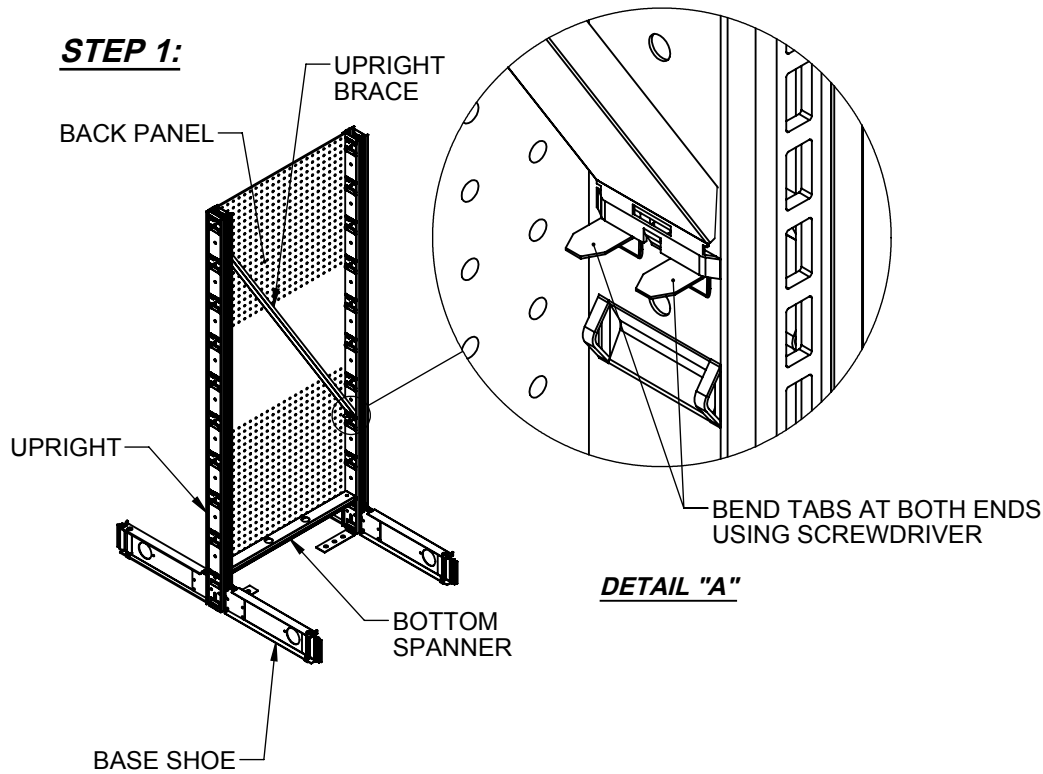


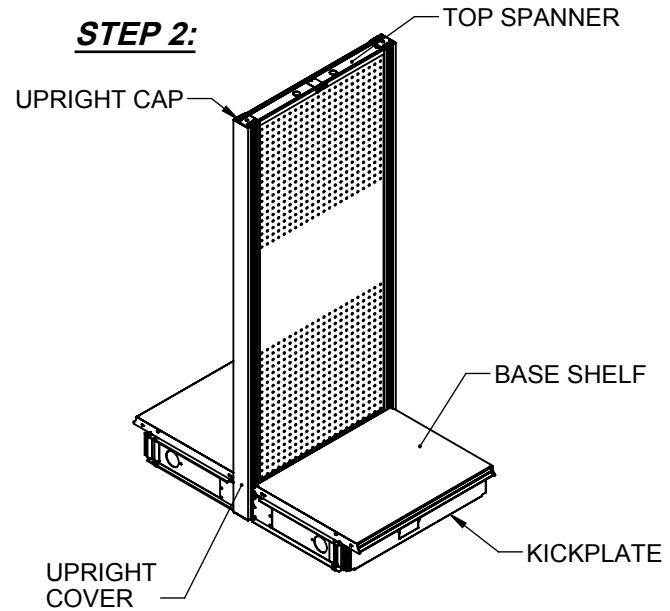
ASY FOR FEATURED AISLE DISPLAY

**NOTE: FOR DETAILED ISNTRUCTIONS
FOR MADIX STYLE BASIC MAXILINE
COMPONENTS SEE ASY-045**

STEP 1:



STEP 2:



STEP 1: INSTALL BASE SHOES INTO UPRIGHTS. INSTALL LOWER SPANNER AND UPRIGHT BRACE. ONCE UPRIGHT BRACE IS IN POSITION, USE A SCREW DRIVER TO BEND TABS UP AROUND LANCES IN UPRIGHTS. (SEE DETAIL "A") THIS WILL NEED TO BE DONE AT BOTH ENDS OF UPRIGHT BRACE. INSTALL (1) BACK PANEL. **DO NOT DROP PANEL INTO PLACE. DOING SO COULD DAMAGE BOTTOM SPANNER.**

STEP 2: INSTALL REMAINING BACK PANEL. INSTALL TOP SPANNER, KICKPLATES, BASE DECKS, UPRIGHT CAPS, AND UPRIGHT COVERS.

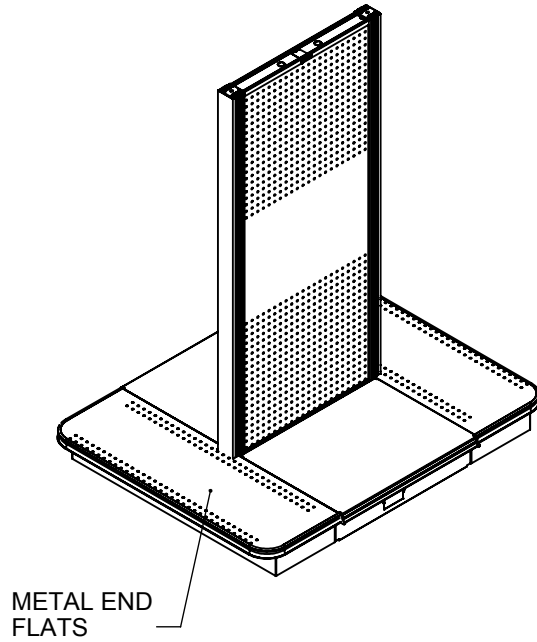
madix
Asy-80022486

P.O. BOX 729 TERRELL, TEXAS 75160
214-515-5400 / 800-776-2349

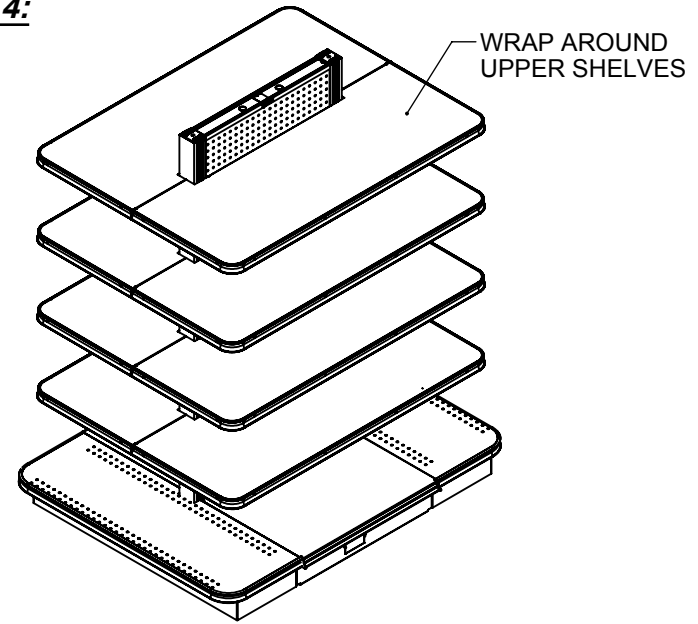
PAGE 1 OF 2 REV. 00
08/03/10 CAB ECM # 500000008487

ASY FOR FEATURED AISLE DISPLAY

STEP 3:



STEP 4:



STEP 3: INSTALL METAL END FLATS ON EACH END.

STEP 4: INSTALL WRAP AROUND UPPER SHELVES AT HEIGHTS DESIRED

madix
Asy-80022486

P.O. BOX 729 TERRELL, TEXAS 75160
214-515-5400 / 800-776-2349

PAGE 2 OF 2 REV. 00
08/03/10 CAB ECM # 500000008487