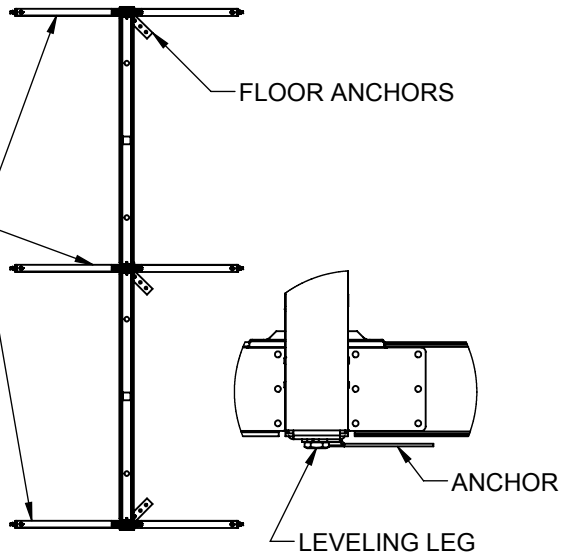


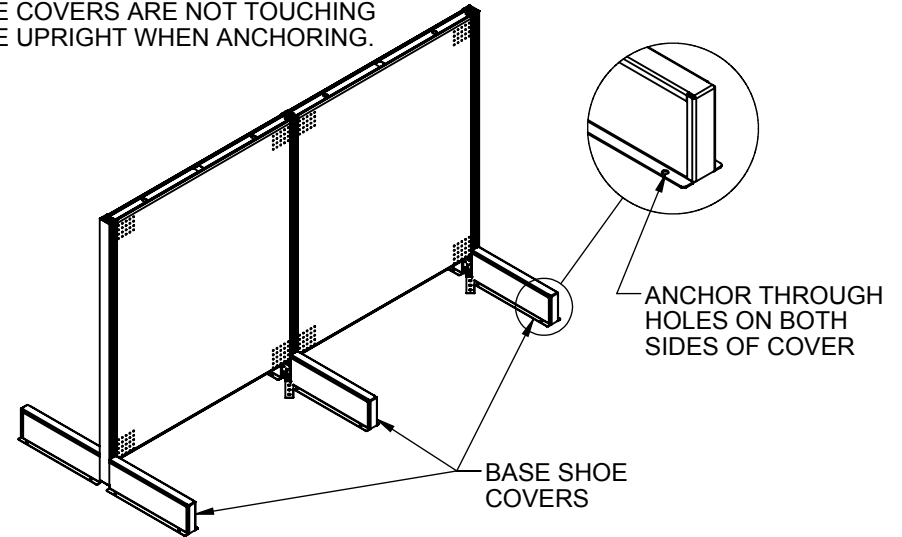
ASY FOR MIPS

1 INSTALL FLOOR ANCHORS TO THE BOTTOM OF EACH UPRIGHT OVER THE LEVELING LEGS.

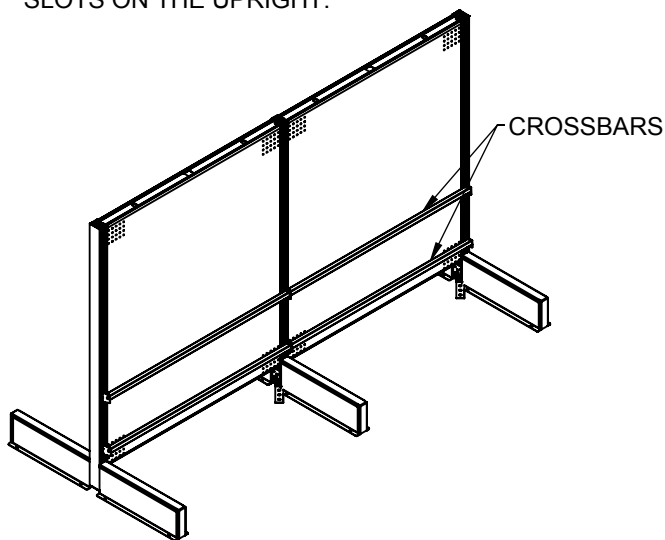
NOTE:
FOR SINGLE SIDED UNITS INSTALL SHOE COVERS AND CROSS BARS ON THIS SIDE



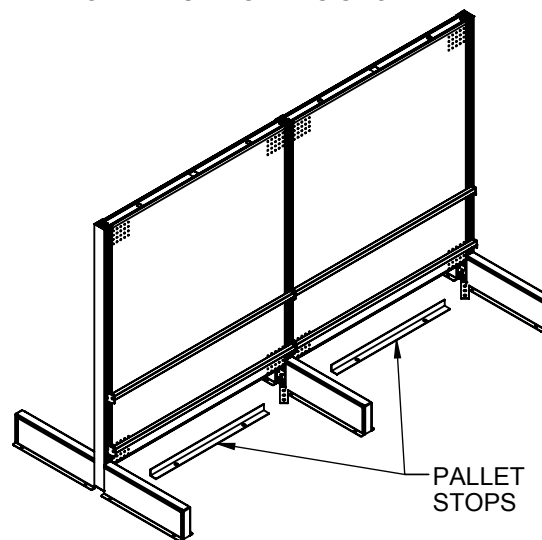
2 INSTALL HEAVY DUTY BASE SHOE COVERS. COVERS WILL ANCHOR INTO THE FLOOR ON BOTH SIDES OF THE BASE SHOE. MAKE SURE THE COVERS ARE NOT TOUCHING THE UPRIGHT WHEN ANCHORING.



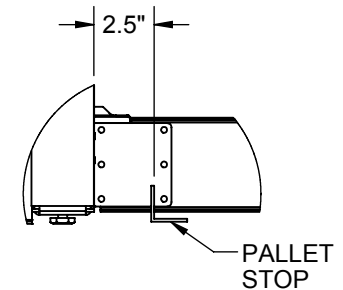
3 INSTALL CROSSBARS AT THE DESIRED HEIGHT INTO THE SLOTS ON THE UPRIGHT.



4 INSTALL PALLET STOPS IN THE CENTER OF EACH SECTION AT LEAST 2.5" FROM THE FRONT OF THE UPRIGHT AS SHOWN.



MAKE SURE PALLET STOP IS INSTALLED AT A LOCATION THAT WOULD PREVENT THE PALLET FROM COMING IN CONTACT WITH THE CROSSBARS.



madix
Asy-80017676

P.O. BOX 729 TERRELL, TEXAS 75160
214-515-5400 / 800-776-2349

PAGE 1 OF 1

07/01/09 CAB

ECM # 500000006975