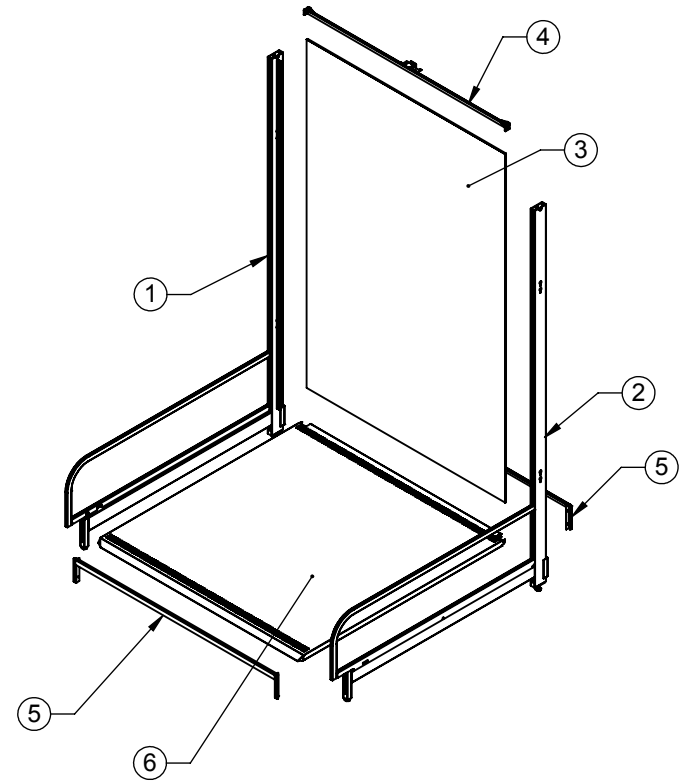
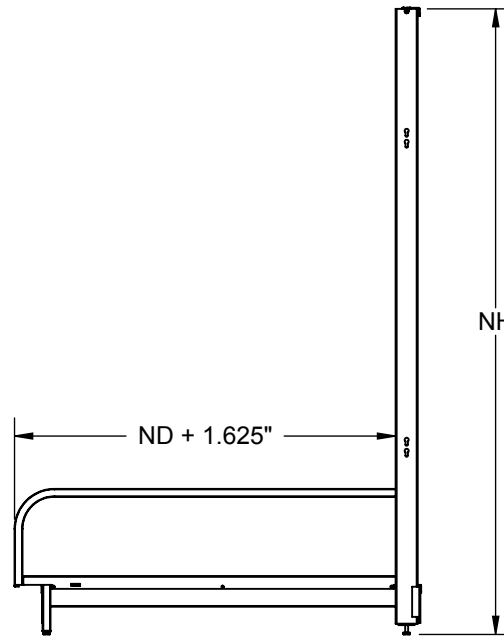
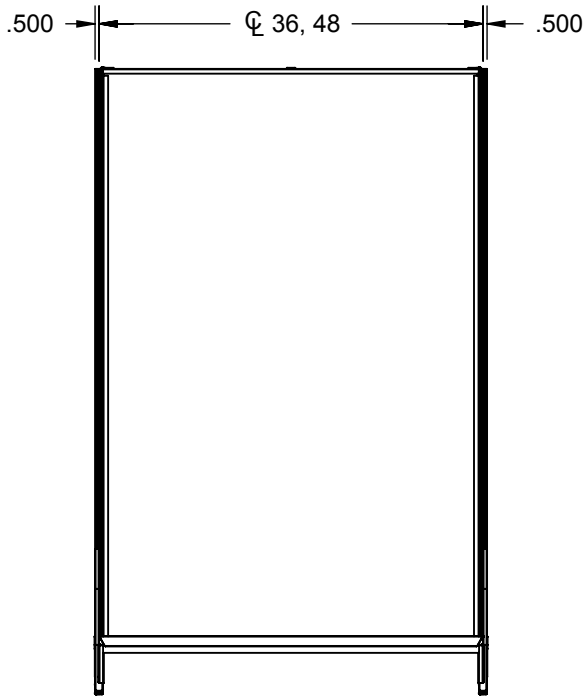


# DEC(NW)(NH)(ND)

- DEC365436
- DEC367836
- DEC484836
- DEC485436
- DEC487836
- DEC487848

ITEM	MADIX CODE	DESCRIPTION	QTY
1	TLHUT2TLSE(NH)(ND)7	TLHUT2, HALF UPRIGHT W/ KEYSLOTS, LH	1
2	TLHUT2TRSE(NH)(ND)7	TLHUT2, HALF UPRIGHT W/ KEYSLOTS, RH	1
3	TLB1(NW)(NH)(_)	TLB1, SINGLE TRACK BACK, 7" HIGH	1
4	TLTCGM1(NW)	TLTCGM1, GONDOLA MOUNT TOP CAP	1
5	TLCKOF(NW)	OPEN FRONT KICKPLATE	2
6	TLSDDD(NW)(ND)	SIDE DECK, DOUBLE PERF	1



**madix**  
Asy-80016786

P.O. BOX 729 TERRELL, TEXAS 75160  
214-515-5400 / 800-776-2349

PAGE 1 OF 1      REV. 00  
03/26/09 CAB      ECM # 500000006296