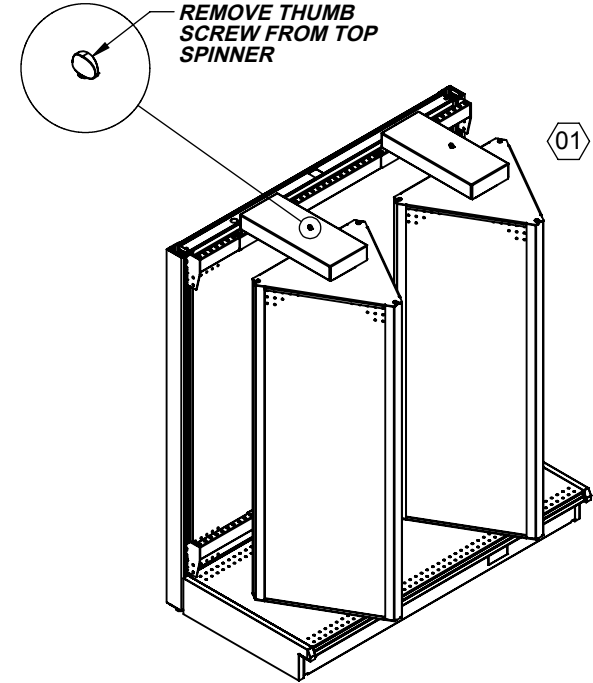


ASY FOR 3-WAY TOOL DISPLAY

REV.	DESCRIPTION	DATE
01	UPDATED WITH LATEST DESIGN CHANGES	2/24/2009

1: INSERT CROSS BARS AS SHOWN.

2: ATTACH SPINNER PLATES TO THE CROSS BARS USING THE 5/16-18x2.5" BOLT AND 5/16-18 HEX NUT AS SHOWN.



REMOVE THUMB SCREW FROM TOP SPINNER

01

4: ONCE TOP SPINNER IS SECURED ROTATE THE DISPLAY SLIGHTLY UNTIL PRESSURE IS REMOVED FROM THE THUMB SCREW ON THE TOP SPINNER. REMOVE THE THUMB SCREW FROM THE TOP SPINNER AND RELEASE THE DISPLAY. THUMB SCREW CAN BE SAVED FOR LATER USE IF NEEDED.

REPEAT STEPS 1 THROUGH 4 FOR OTHER SIDE OF THE SECTION.

3: PLACE THREE WAY DISPLAY ON TOP OF THE BOTTOM SPINNER PLATE AND SECURE BY ATTACHING THE TOP SPINNER PLATE TO THE TOP CROSS BAR IN THE SAME MANNER AS THE BOTTOM PLATE.

D
C
B
A

D
C
B
A

MINIMUM NH 84 UPRIGHT FOR 78" TALL DISPLAY

1"x2"x48" CROSS BAR WITH HOLES TOP AND BOTTOM

MINIMUM NH 54 UPRIGHT FOR 48" TALL DISPLAY.

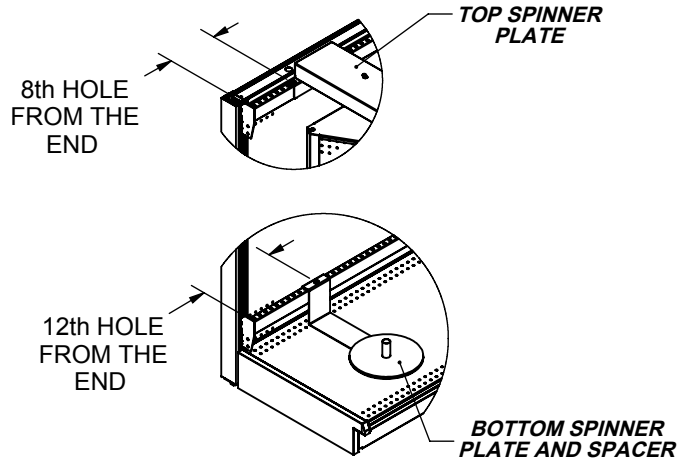
APPROX 79" TOP OF BASE SHELF TO TOP OF DIVIDER BAR

APPROX 49" TOP OF BASE SHELF TO TOP OF DIVIDER BAR

INSERT BOTTOM BAR INTO THE BOTTOMMOST AVAILABLE SLOT ON THE UPRIGHT

NH 78 DISPLAY SHOWN WITH NH 120" TALL UPRIGHT

NH 48 DISPLAY SHOWN WITH NH 54" TALL UPRIGHT

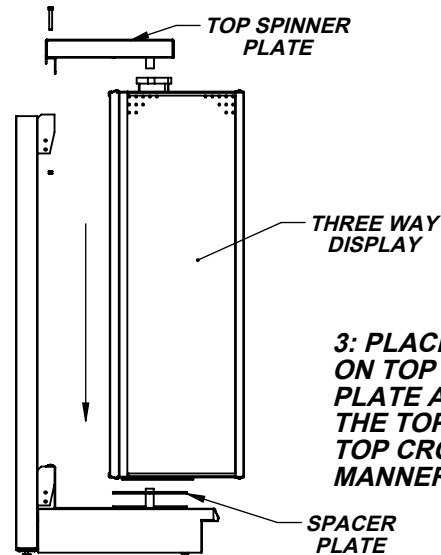


8th HOLE FROM THE END

12th HOLE FROM THE END

TOP SPINNER PLATE

BOTTOM SPINNER PLATE AND SPACER



TOP SPINNER PLATE

THREE WAY DISPLAY

SPACER PLATE

madix
Asy-80015794
 P.O. BOX 729 TERRELL, TEXAS 75160
 214-515-5400 / 800-776-2349
 PAGE 1 OF 1 REV. 01
 12/16/08 CAB ECM # 500000006167