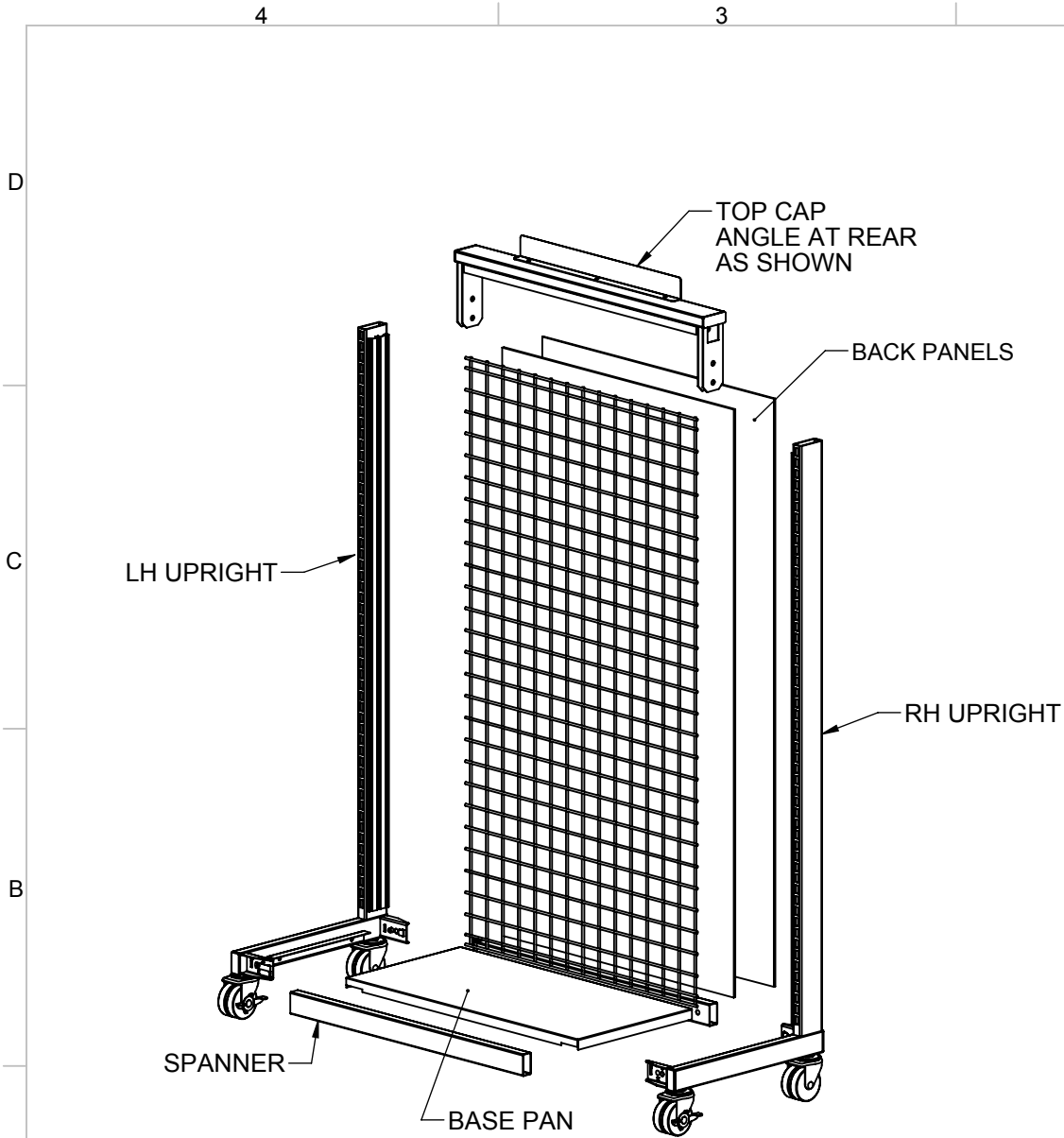
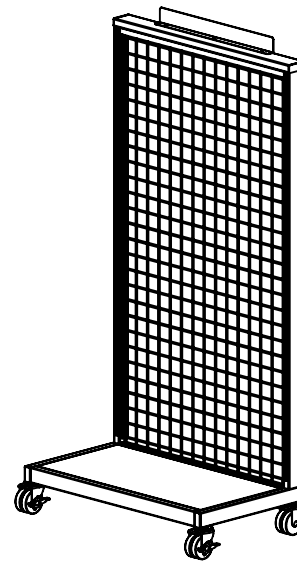


REV.	DESCRIPTION	DATE
2		
1		



INSTALLATION INSTRUCTIONS

1. SNAP IN SPANNERS TO UPRIGHT CONNECTOR
2. INSTALL BASE PAN
3. INSTALL BACKS, STARTING WITH WIRE GRID
4. INSTALL TOP CAP INTO UPRIGHTS



ROLLING DISPLAY IS FRONT LOADED ONLY
LOAD CAPACITY SHOULD NOT EXCEED 200 LBS

MATERIAL:



DRAWING IS EXCLUSIVE PROPERTY OF MADIX INC
PO BOX 177 GOODWATER, AL 35072 256-839-6354
PO BOX 729 TERRELL, TX 75160 214-515-5400
60 PROSPECT ST N. BROOKFIELD, MA 01535 508-867-8933

TOLERANCES UNLESS SPECIFIED

.XX = ±.060
.XXX = ±.030
.XXXX = ±.015
ANGULAR = 1°

DESIGNER:
KLINER

DRAWN BY:
KLINER

DATE:
20080520

CHANGE #:
500000004910

DESC:
TUBELINE ROLLING DISPLAY WALL UNIT

DWG NO.:
ASY-80013207

REV: **00** SHEET 1 OF 1