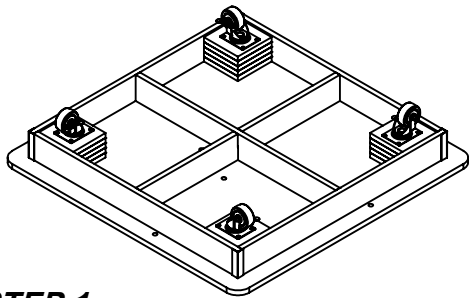


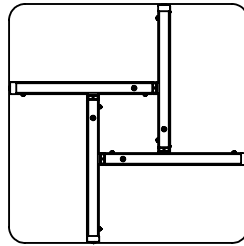
2	DESCRIPTION	1
REV.		DATE



STEP 1

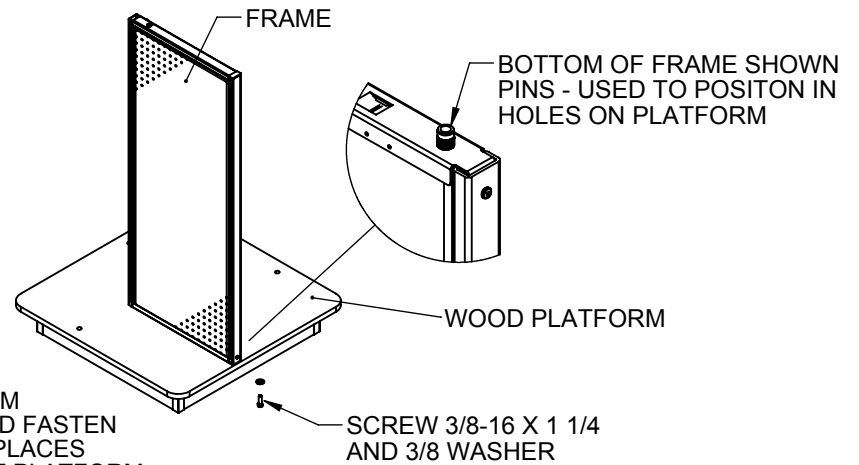
OPTIONAL PLATE CASTERS ARE FASTENED TO BASE WITH #12 X 1" SCREWS, (4) PER CASTER

TOP VIEW



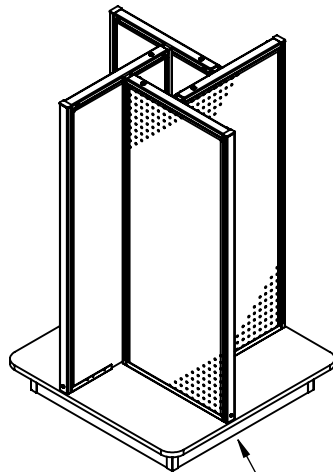
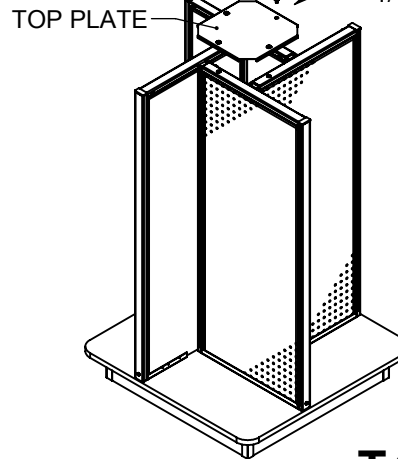
STEP 2

POSITION FRAMES ON PLATFORM ALIGNING PINS OVER HOLES AND FASTEN WITH 3/8-16 X 1 1/4" SCREWS, 4 PLACES THROUGH THE BOTTOM SIDE OF PLATFORM.



STEP 4

ATTACH TOP PLATE WITH (4) SCREWS 1/4-20 X 1/2, INTO FRAME ENDS AS SHOWN



STEP 3

CONTINUE POSITIONING FRAMES FASTENING AT OUTSIDE EDGES ONLY ONE SCREW PER SIDE, (4) PLACES FASTENING AT INSIDE HOLES IS NOT NECESSARY

**T4WM / TUBULAR 4-WAY
MERCHANTISER
INSTALLATION INSTRUCTIONS**

MATERIAL: ERROR!:Material



TOLERANCES UNLESS SPECIFIED

.XX = ±.060
.XXX = ±.030
.XXXX = ±.015
ANGULAR = 1°

DESIGNER: **KLINER**

CHANGE #: **500000003865**

DRAWN BY: **KLINER**

DESC: **T4WM / INSTALLATION INSTRUCTIONS**

DATE: **20080318**

DWG NO.: **ASY-80012443**

REV: **00** SHEET 1 OF 1

DRAWING IS EXCLUSIVE PROPERTY OF MADIX INC
PO BOX 177 GOODWATER, AL 35072 256-839-6354
PO BOX 729 TERRELL, TX 75160 214-515-5400
60 PROSPECT ST N. BROOKFIELD, MA 01535 508-867-8933