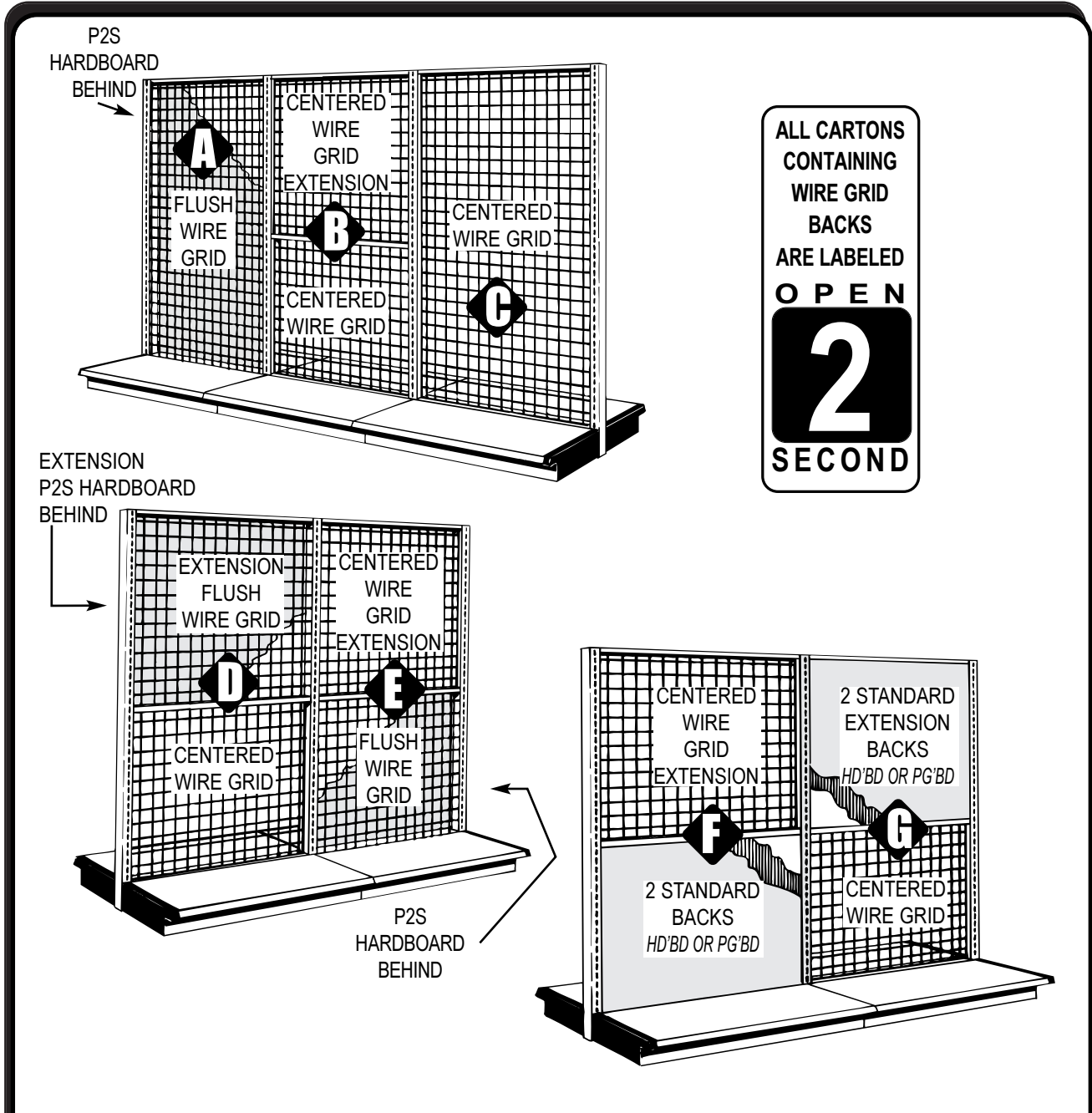


WIRE GRID BACK SYSTEMS

ASY 328

SYSTEM, BACKING, & SPANNER IDENTIFICATION



ALL CARTONS CONTAINING WIRE GRID BACKS ARE LABELED

OPEN

2

SECOND

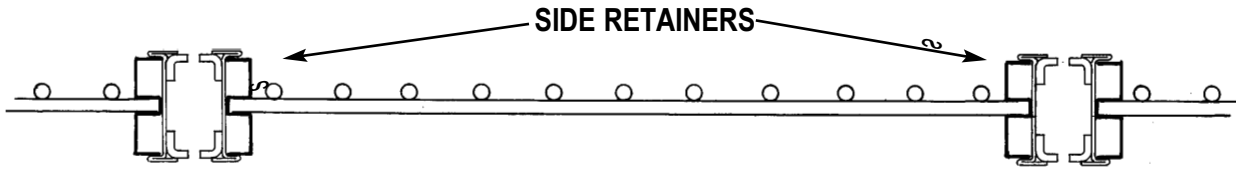
SPANNERS	A	B	C	D	E	F	G
TOP	STL- <input type="checkbox"/>	SBTF- <input type="checkbox"/>	SBTF- <input type="checkbox"/>	SBTF- <input type="checkbox"/>	STL- <input type="checkbox"/>	SBTF- <input type="checkbox"/>	STL- <input type="checkbox"/>
SPLICER	NONE	SSSWG- <input type="checkbox"/> -WGWG	NONE	SSSWG- <input type="checkbox"/> -WGHB	SSSWG- <input type="checkbox"/> -HBWG	SSSWG- <input type="checkbox"/> -HBWG	SSSWG- <input type="checkbox"/> -WGHB
BOTTOM	HSL- <input type="checkbox"/>	OBS- <input type="checkbox"/> -CWG	OBS- <input type="checkbox"/> -CWG	HSL- <input type="checkbox"/>	OBS- <input type="checkbox"/> -CWG	HSL- <input type="checkbox"/>	OBS- <input type="checkbox"/> -CWG



WIRE GRID BACK SYSTEMS

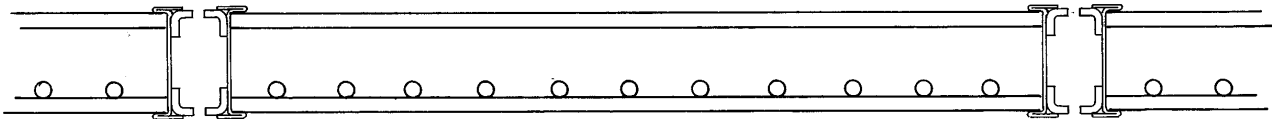
ASY 328

TABLE OF CONTENTS & DIMENSIONAL IDENTIFICATION



CENTERED WIRE GRID BACKS
...centered on the side of the uprights.

PARTS AND INSTALLATION ARE ON PAGES 3 - 6



FLUSH WIRE GRID BACKS
...flush with the face of the uprights.

PARTS AND INSTALLATION ARE ON PAGES 7 - 10

COMBINATION WIRE GRID BACKS
...centered backs over flush backs
 or
...flush backs over centered backs

PARTS AND INSTALLATION ARE ON PAGES 11 - 12

DIMENSIONAL IDENTIFICATION ...EXAMPLES

ALL SPANNERS
... and open back stiffener

SSSWG-□-WGWG
 |
 WIDTH
 2', 30", 3', 42", 4'

**SIDE
 RETAINERS**

SBRS-□□
 |
 HEIGHT
 12" thru 120" in
 6" increments

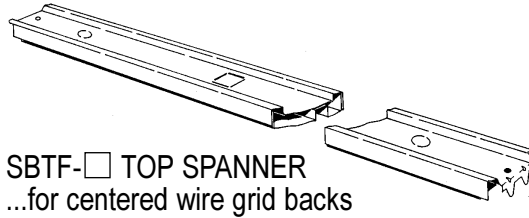
ALL BACKS
*...and extension backs,
 wire and hardboard*

BSWG-□□□
 | |
 WIDTH HEIGHT
 2', 30", 3' 12" thru 120" in
 42", 4' 6" increments

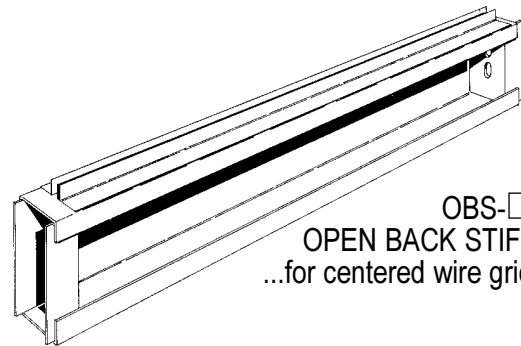
WIRE GRID BACK SYSTEMS

ASY 328

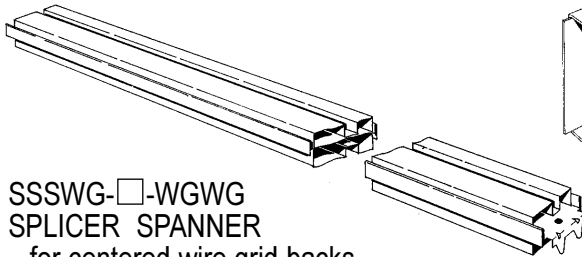
CENTERED WIRE GRID BACKS PARTS IDENTIFICATION



SBTF-□ TOP SPANNER
...for centered wire grid backs



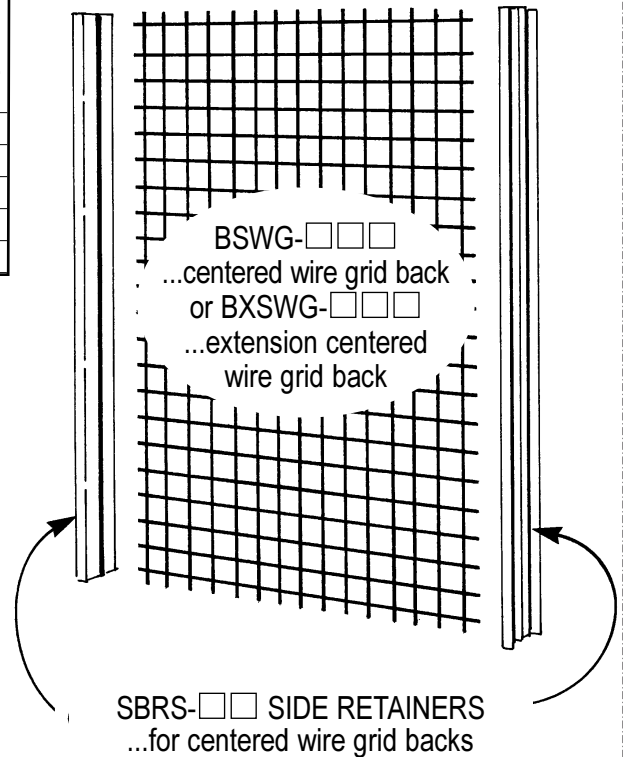
OBS-□-CWG
OPEN BACK STIFFENER
...for centered wire grid backs



SSSWG-□-WGWG
SPLICER SPANNER
...for centered wire grid backs
over centered wire grid backs

CENTERED BACKS... WIRE GRID ONLY

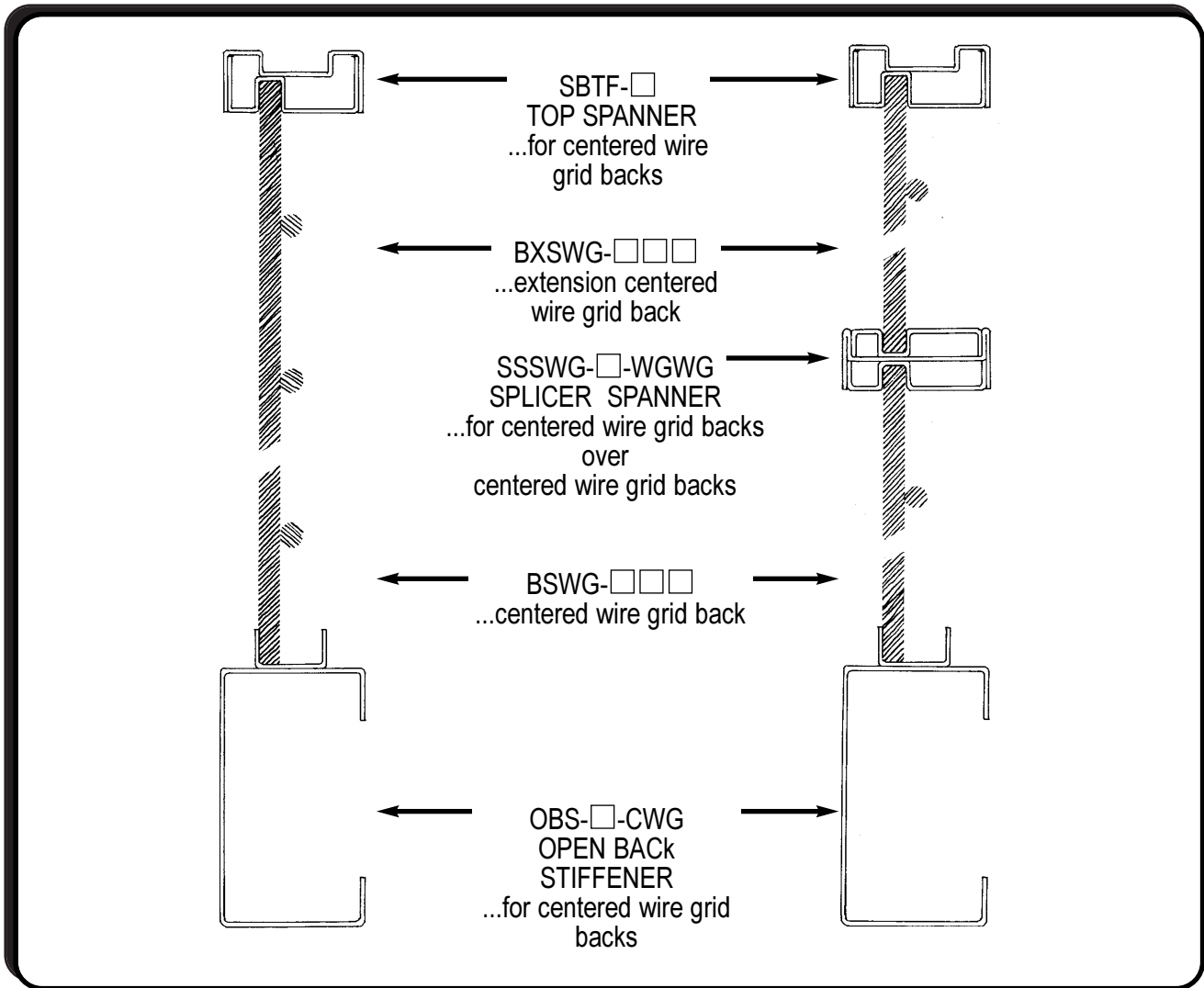
	SIDE RETAINERS		BACK PANELS	BACK PANELS	
	NOMINAL HEIGHT	ACTUAL HEIGHT	ACTUAL HEIGHT	NOMINAL WIDTH	ACTUAL WIDTH
ONE PIECE BACKS	42"	36 1/8"	36 3/4"	24"	22"
	48"	42 1/8"	42 3/4"	30"	28"
	54"	48 1/8"	48 3/4"	36"	34"
	60"	54 1/8"	54 3/4"	42"	40"
	66"	60 1/8"	60 3/4"	48"	46"
	72"	66 1/8"	66 3/4"		
	78"	72 1/8"	72 3/4"		
	84"	78 1/8"	78 3/4"		
	90"	84 1/8"	84 3/4"		
	96"	90 1/8"	90 3/4"		
	102"	96 1/8"	96 3/4"		
	108"	102 1/8"	102 3/4"		
114"	108 1/8"	108 3/4"			
120"	114 1/8"	114 3/4"			
EXTENSION BACKS	12"	11 1/2"	11 7/16"		
	18"	17 1/2"	17 7/16"		
	24"	23 1/2"	23 7/16"		
	30"	29 1/2"	29 7/16"		
	36"	35 1/2"	35 7/16"		
	42"	41 1/2"	41 7/16"		
	48"	47 1/2"	47 7/16"		
54"	53 1/2"	53 7/16"			



WIRE GRID BACK SYSTEMS

ASY 328

CENTERED WIRE GRID BACKS INSTALLATION INSTRUCTIONS



1

Refer to page 3 of ASY 046, GONDOLA/WALL FIXTURE for parts identification.

2

Follow steps 1 through 4 in ASY 046, substituting the Open Back Stiffener (OBS) For Wire Grid, OBS-□-CWG, for the lower and center spanners. This OBS is shown on page 2 of these instructions.

3

Next, follow steps 5 and 6 in ASY 046 to install the base shoes into the uprights.

4

At this point, refer to page 1 of ASY 042, OPEN BACK STIFFENER. Beginning at Step 4, proceed through the instruction to Step 16, installing the OBS-□-CWG in the fixture run instead of the OBS-□. Be sure the open side of all the OBS's face the same way.

WIRE GRID BACK SYSTEMS

ASY 328

CENTERED WIRE GRID BACKS INSTALLATION INSTRUCTIONS

5 Insert the SBRS side retainers inside the upright flanges and resting on the OBS. Use tabs of masking tape to hold the retainers temporarily in the vertical position if they do not fit snugly.

6 Slide the BSWG wire grid back down into the side retainer channels until seated in the channel on top of the OBS. Some wire accessories will hang only on the face which has the horizontal wires, so be sure the horizontal wires are on the correct side of the fixture.

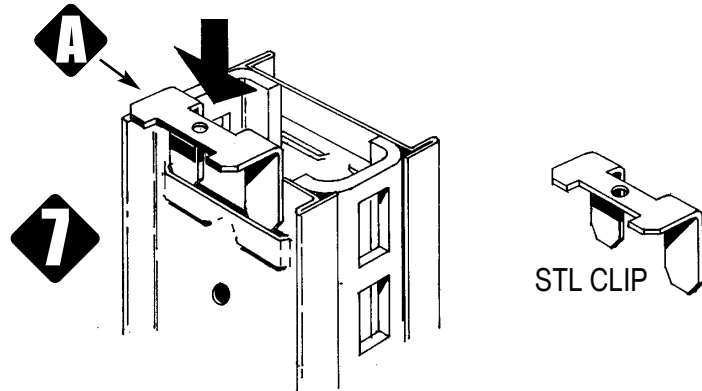
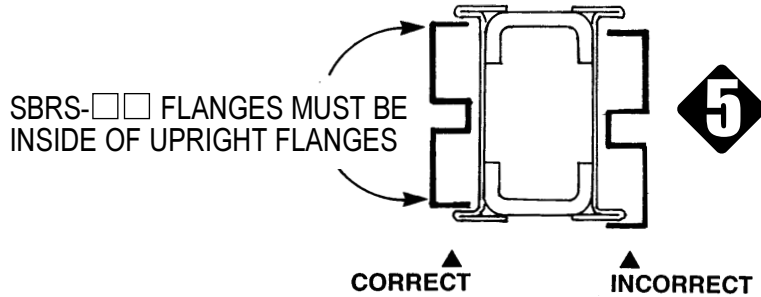
IF THE FIXTURE WILL HAVE EXTENSION BACKS, GO TO STEP #11 NOW.

7 Drive in STL clips, as shown, until they are seated on the top spanner lances. The bottom of the clip tabs must show below the spanner lances.

8 Take an SBTF-□ and shear off the two tabs at both ends as shown.

9 Place the SBTF down over the wire grid back until it rests on the STL clips. Align the holes in STL and STL clips and screw together as shown.

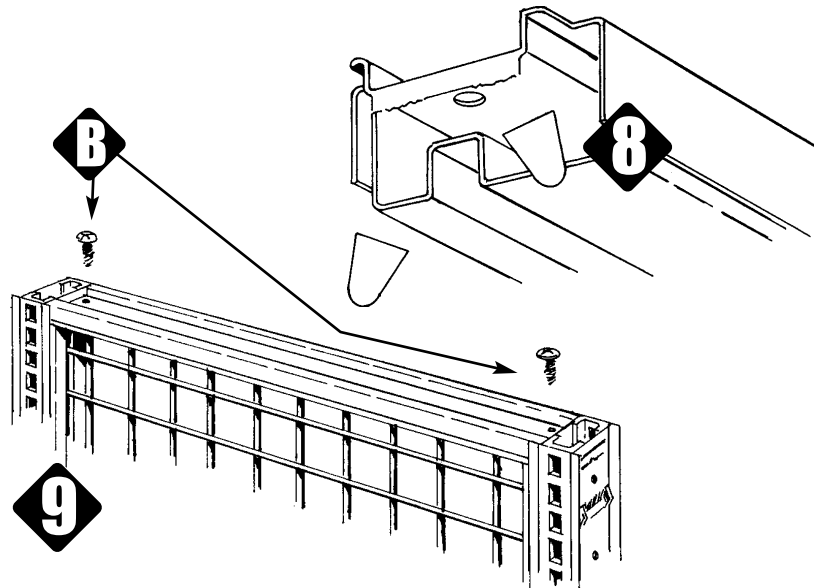
10 Repeat steps 5-9 with the remaining sections in the fixture run to complete installation of one piece backs. Go to steps 18 & 19 to complete the run.



TCBRS HARDWARE PACK #7200-594

QTY	ITEM	DESCRIPTION
4	A	STL clips
4	B	#12 x 1" Phillips pan head, sheet metal screw

A...indicates item, where used.



WIRE GRID BACK SYSTEMS

ASY 328

CENTERED WIRE GRID BACKS INSTALLATION INSTRUCTIONS

TO ADD
ONE LEVEL
OF EXTENSION
BACKS

11 To install one level of extension backs, first install a SSS-□-WGWG, splicer spanner, downward over the previously installed BSWG-□□□, (Step 6), making sure that the spanner tabs enter and seat in the spanner lances.

12 Place the side retainer's flanges inside of the upright's flanges and resting on the SSS-□-WGWG. If they are not a snug fit, a tab of masking tape will hold them temporarily.

13 Slide the BXSWG, extension wire grid back down into the side retainer channels until seated in the channel on top of the SSS-□-WGWG splicer spanner.

IF THE FIXTURE WILL HAVE A 2ND LEVEL OF EXTENSION BACKS, GO TO STEP 16...

14 Now go to steps 7-10 to complete the first section with the STL clips and an SBTF.

15 Repeat steps 5&6, 12-14, and 7-10 with the remaining sections in the fixture run. This will complete installation of the required backs. Go to steps 18&19 to complete the run.

TO ADD A
SECOND
LEVEL OF
EXTENSION
BACKS

16 If a second extension back per section is to be added, repeat steps 11-13 to complete installation of the second level of extension backs.

17 Repeat steps 5-6 & 11-13 with the remaining sections in the fixture run to complete installation of required levels of backs. Now go to steps 7-10 to complete the sections with the STL clips and SBTFs.

TO
COMPLETE
FIXTURE
RUN

18 Refer to installation instruction ASY 046, Step 17, to adjust upright levelers ...Note that if the fixture only has base shoes on one side, all levelers must be on the floor.

19 Refer to installation instruction ASY 046, steps 18-21, to complete the fixture.

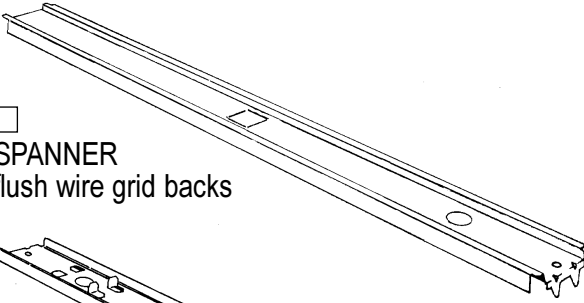
ASSEMBLY COMPLETE

WIRE GRID BACK SYSTEMS

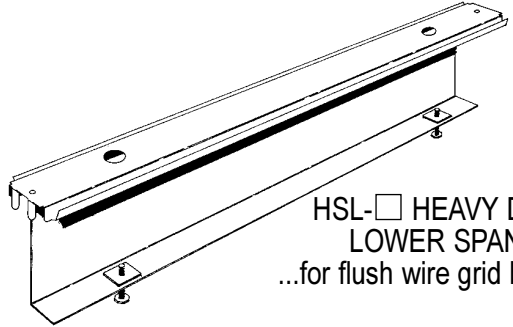
ASY 328

FLUSH WIRE GRID BACKS - PARTS IDENTIFICATION

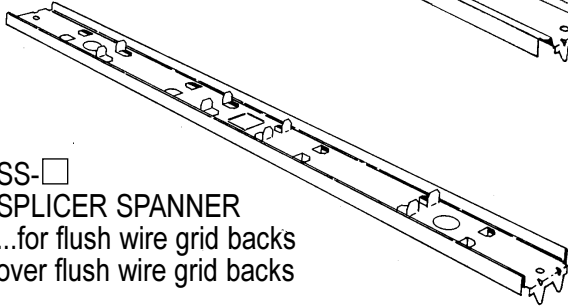
STL-□
TOP SPANNER
...for flush wire grid backs



HSL-□ HEAVY DUTY
LOWER SPANNER
...for flush wire grid backs

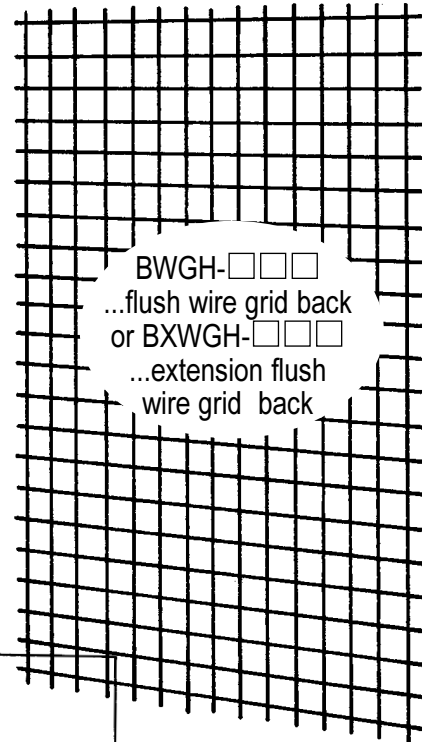


SS-□
SPLICER SPANNER
...for flush wire grid backs
over flush wire grid backs



FLUSH BACKS... WIRE GRID BACKS AND P2S
HARDBOARD, PAINTED TWO SIDES

	NOMINAL HEIGHT	ACTUAL HEIGHT	NOMINAL WIDTH	ACTUAL WIDTH
ONE PIECE BACKS	42"	37 3/16"	24"	22 1/2"
	48"	43 3/16"	30"	28 1/2"
	54"	49 3/16"	36"	34 1/2"
	60"	55 3/16"	42"	40 1/2"
	66"	61 3/16"	48"	46 1/2"
	72"	67 3/16"		
	78"	73 3/16"		
	84"	79 3/16"		
	90"	85 3/16"		
	96"	91 3/16"		
EXTENSION BACKS	102"	97 3/16"		
	108"	103 3/16"		
	114"	109 3/16"		
	120"	115 3/16"		
	12"	11 7/8"		
	18"	17 7/8"		
	24"	23 7/8"		
	30"	29 7/8"		
36"	35 7/8"			
42"	41 7/8"			
48"	47 7/8"			
54"	53 7/8"			



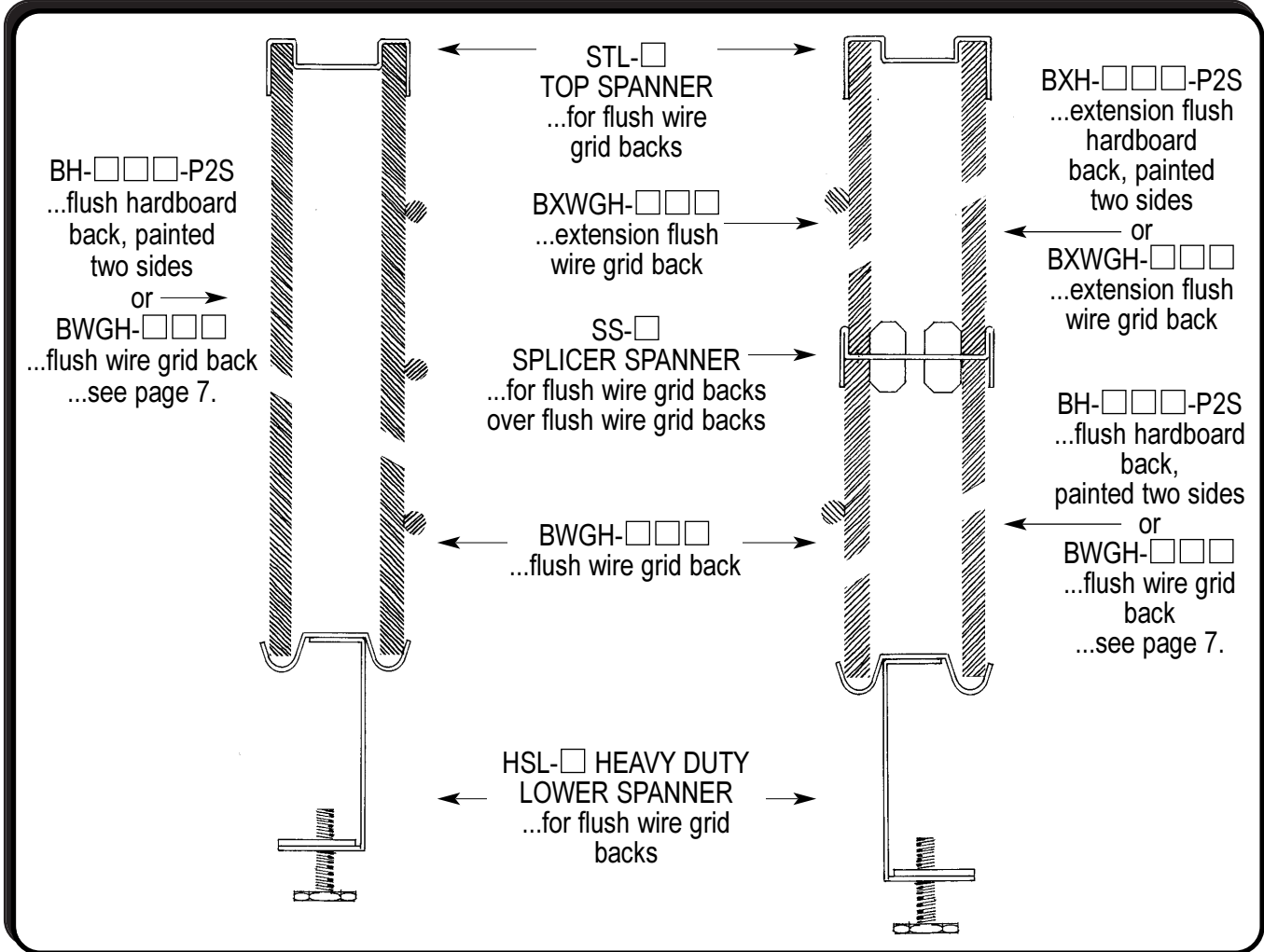
BWGH-□□□
...flush wire grid back
or BXWGH-□□□
...extension flush
wire grid back

BH-□□□-P2S
...flush hardboard back
or BXH-□□□-P2S
...extension flush
hardboard back

WIRE GRID BACK SYSTEMS

ASY 328

FLUSH WIRE GRID BACKS INSTALLATION INSTRUCTIONS



1 Refer to page 3 of ASY 046, GONDOLA/WALL FIXTURE for parts identification.

2 Follow steps 1 through 4 in ASY 046, substituting one HSL-□, Heavy Duty Lower Spanner, for the lower, and center spanners. This HSL is shown on page 7 of this instruction.

3 Next, follow steps 5 and 6 in ASY 046 to install the base shoes into the uprights.

4 Raise second upright to vertical, lock base shoes and install the HSL, heavy duty lower spanner. Both spanner tabs must be showing below the lances at each end..DO NOT HAMMER! Bend all the tabs upward for security... Do this on each HSL in the fixture run.
 NOTE! The levelers in all HSL's should remain in the original screwed in position until step 11.



Standard Lower Spanner Shown Here... HSL tabs are the same.

WIRE GRID BACK SYSTEMS

ASY 328

FLUSH WIRE GRID BACKS INSTALLATION INSTRUCTION

5 Slide the required combination of back panels down between the uprights until seated in the HSL channels. **DO NOT DROP BACKS ONTO THE HSL!** Be sure to check requirements for materials and colors, plus which side they face. Some wire accessories will hang only on the face which has the horizontal wires, so be sure the horizontal wires are on the correct side of the fixture.

IF THE FIXTURE WILL HAVE EXTENSION BACKS, GO TO STEP #11 NOW.

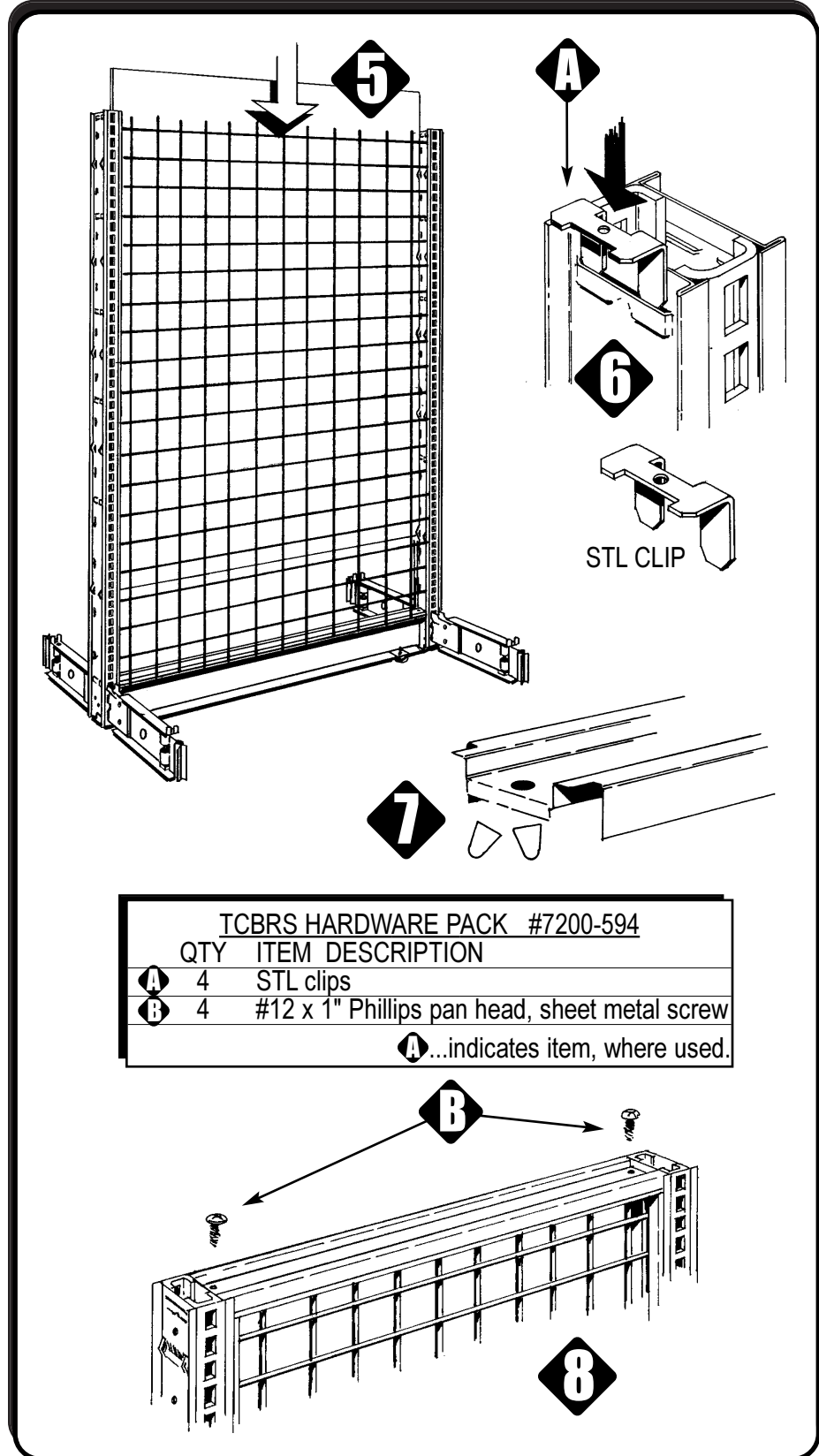
6 Drive in STL clips, as shown, until they are seated on the top spanner lances. The bottom of the clip tabs must show below the spanner lances.

7 Take an STL-□ and shear off the two tabs at both ends as shown.

8 Place the STL down over the wire grid back until it rests on the STL clips. Align the holes in STL and STL clips and screw together as shown.

9 Repeat steps 5-8 with the remaining sections in the fixture run to complete installation of one piece backs.

10 To complete the fixture run, refer ASY 046, beginning on page 6, with steps 11 through step 21 for plumbing and leveling. At step 17, note that the HSL levelers must also be 1/4" off the floor, or ...if the fixture only has base shoes on one side, all the levelers must be on the floor.



TCBRS HARDWARE PACK #7200-594

QTY	ITEM DESCRIPTION
A 4	STL clips
B 4	#12 x 1" Phillips pan head, sheet metal screw

A...indicates item, where used.

WIRE GRID BACK SYSTEMS

SUBHEAD DESCRIPTION FOR INDIVIDUAL PART

TO ADD
A FIRST LEVEL
OF EXTENSION
BACKS

11 If the fixture is to have a 1st level of extension backs, install a SSS-□-WGWG, Splicer Spanner, downward over the previously installed back panels (Step 6), making sure that the spanner tabs enter and seat in the spanner lances.

12 Slide the extension backs down between the uprights until seated in the SS-□ Splicer Spanner channels.

15 To complete the fixture run, refer ASY 046, beginning on page 6, with steps 11 through step 21 for plumbing and leveling. At step 17, note that if the fixture only has base shoes on one side, all the levelers must be on the floor, including the HSL levelers.

IF THE FIXTURE WILL HAVE A 2ND LEVEL OF EXTENSION BACKS, GO TO STEP 16...

13 Go to steps 6-8 to complete the first section with STL clips and an SBTF.

14 Repeat steps 11-13 with the remaining sections in the fixture run to complete installation of one level of extension backs.

TO ADD A
SECOND
LEVEL OF
EXTENSION
BACKS

16 If the fixture is to have a second level of extension backs, install a SS-□, splicer spanner, downward over the previously installed backs, (Step 12), making sure that the spanner tabs enter and seat in the spanner lances.

17 Slide the extension backs down between the uprights until seated in the SS-□ splicer spanner channels.

18 Go to steps 6-8 to complete the first section with STL clips and an SBTF.

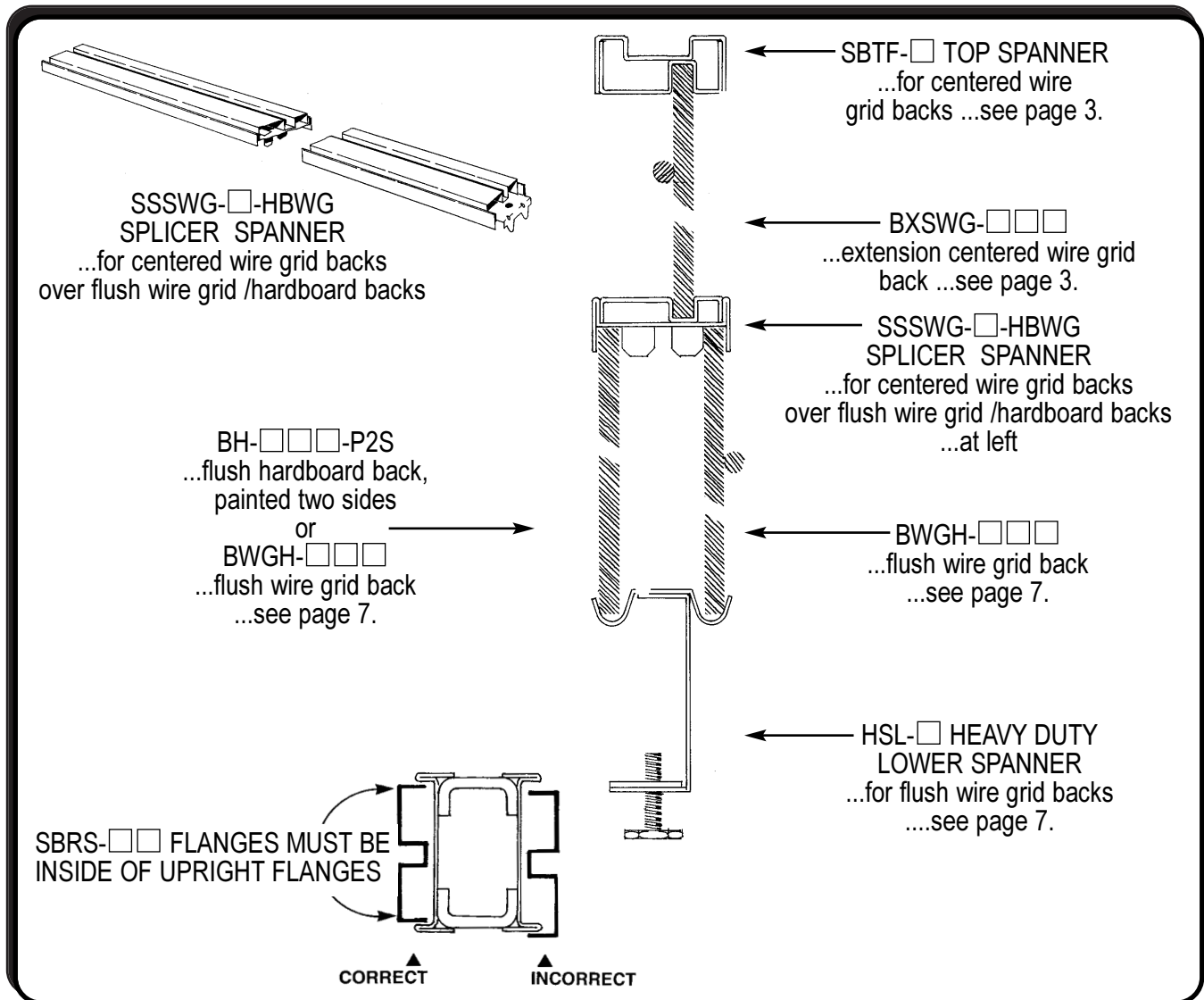
19 Repeat steps 11-12, and 16-18 with the remaining sections in the fixture run to complete all sections.

20 To complete the fixture run, refer ASY 046, beginning on page 6, with steps 11 through step 21 for plumbing and leveling. At step 17, note that if the fixture only has base shoes on one side, all the levelers must be on the floor, including the HSL levelers.

ASSEMBLY COMPLETE

WIRE GRID BACK SYSTEMS

CENTERED BACK OVER FLUSH BACK INSTALLATION INSTRUCTIONS



1 For the lower segment of this configuration, follow steps 1-5, beginning on page 8 of this instruction.

2 To begin the upper segment of this configuration, install a SSSWG-□-HBWG splicer spanner, shown above, down over the previously installed combination backs. Be sure the spanner tabs are showing below the spanner lances.

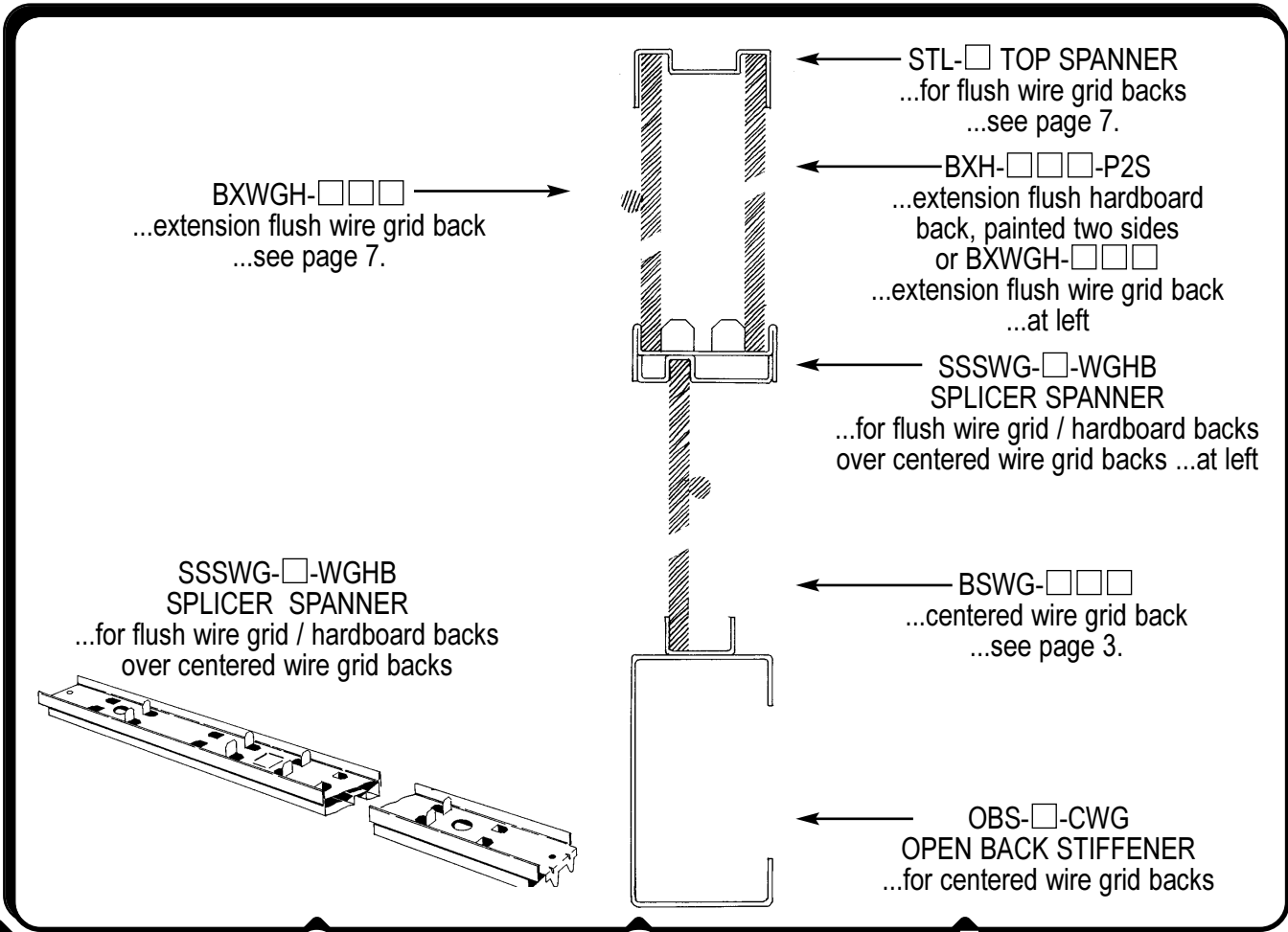
3 Next insert the SBRS, Side Retainers inside the upright flanges and resting on the SSSWG-□-HBWG spanner. Use tabs of masking tape to hold the retainers in the vertical position if they do not fit snugly.

4 For the remainder of the upper segment of this configuration, follow steps 6-10, beginning on page 5 of this instruction. If additional levels of extension backs are required, follow instructions as listed between steps 6 & 7.

ASSEMBLY COMPLETE

WIRE GRID BACK SYSTEMS

FLUSH BACK OVER CENTERED BACK INSTALLATION INSTRUCTIONS



1

For the lower segment of this configuration, follow steps 1-6, beginning on page 4 of this instruction.

2

To begin the upper segment of this configuration, install a SSSWG-□-WGHB splicer spanner, shown above, down over the previously installed centered back. Be sure the spanner tabs are showing below the spanner lances.

3

Slide the required combination of back panels down between the uprights until seated on the SSSWG-□-WGHB spanner. **DO NOT DROP BACKS ONTO THIS SPANNER!** Be sure to check requirements for materials and colors, plus which side they face. Some wire accessories will hang only on the face which has the horizontal wires, so be sure that these wires are on the correct side of the fixture.

4

For the remainder of the upper segment of this configuration, follow steps 6-10, beginning on page 9 of this instruction. If additional levels of extension backs are required, go to Step #11+ on page 10 before proceeding to Steps 6-10.

ASSEMBLY COMPLETE



P.O. BOX 729 / TERRELL, TEXAS 75160 / 972.563.5744 / 800.776.2349
 P.O. BOX 177 / GOODWATER, ALABAMA 35072 / 205.839.6354 / 800.633.6282



REV#	ECN#	REVISION	BY	DATE
A	4744	REVISE LAYOUT, FIX TYPOS "TCBRS"	ACM	3/13/00

REV#	ECN#	REVISION	BY	DATE