

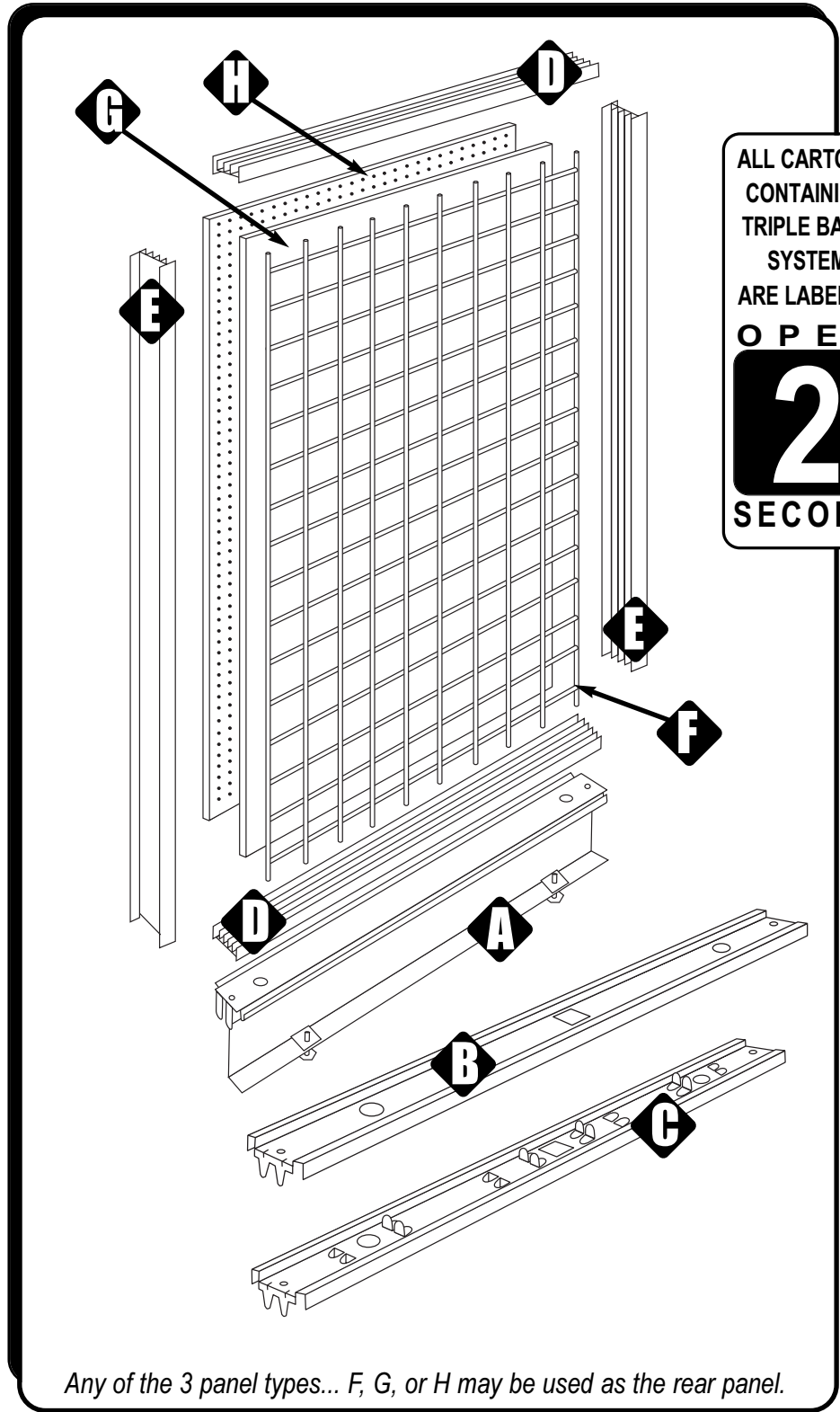
TRIPLE BACK PANEL SYSTEM

ASY 325

PARTS IDENTIFICATION

PART NUMBER & DESCRIPTION

- A** HSL-□
HEAVY DUTY LOWER SPANNER
-
- B** STL-□
TOP SPANNER
-
- C** SS-□
SPLICER SPANNER
-
- D** 1600-381-□□
TOP/BOTTOM PANEL RETAINERS
-
- E** 1600-380-□□
SIDE PANEL RETAINERS
- 1600-382-□□
SIDE PANEL RETAINERS,
EXTENSION
-
- F** 6503-785-□□□□
WIRE GRID BACK PANEL
- 6504-238-□□□□
WIRE GRID BACK PANEL,
EXTENSION
-
- G** 3200-072-□□□□
HARDBOARD BACK PANEL,
S2S
- 3200-073-□□□□
HARDBOARD BACK PANEL,
EXTENSION
-
- H** 3700-098-□□□□
PEGBOARD BACK PANEL
- 3700-101-□□□□
PEGBOARD BACK PANEL,
EXTENSION



ALL CARTONS
CONTAINING
TRIPLE BACK
SYSTEM
ARE LABELED
OPEN
2
SECOND

Any of the 3 panel types... F, G, or H may be used as the rear panel.

TRIPLE BACK PANEL SYSTEM

ASY 325

STEPS 1 THROUGH 5 • PARTS IDENTIFICATION

	Nominal Height	ACTUAL HEIGHTS		Nominal Width	ACTUAL WIDTHS	
		SIDE RETAINERS	ALL BACK PANELS		TOP / BOTTOM RETAINERS	ALL BACK PANELS
ONE PIECE BACKS	48"	42"	42"	24"	20 1/2"	21 1/2"
	54"	48"	48"	30"	26 1/2"	27 1/2"
	60"	54"	54"	36"	32 1/2"	33 1/2"
	66"	60"	60"	42"	38 1/2"	39 1/2"
	72"	66"	66"	48"	44 1/2"	45 1/2"
	78"	72"	72"			
	84"	78"	78"			
	90"	84"	84"			
	96"	90"	90"			
	102"	96"	96"			
EXTENSION BACKS	24"	22 3/4"	22 3/4"			
	30"	28 3/4"	28 3/4"			
	36"	34 3/4"	34 3/4"			
	42"	40 3/4"	40 3/4"			
	48"	46 3/4"	46 3/4"			

I N S T A L L A T I O N

1

Refer to installation instruction **ASY-046**, steps 1-4, and substituting:
 • **HSL-□**, heavy duty lower spanner, for **SL-□**, lower spanner.
 • **SS-□**, splicer spanner, for **SC-□**, center spanner.

2

Lay the components for the triple back installation nearby. Refer to the size chart above.

3

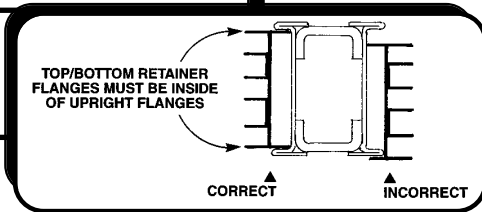
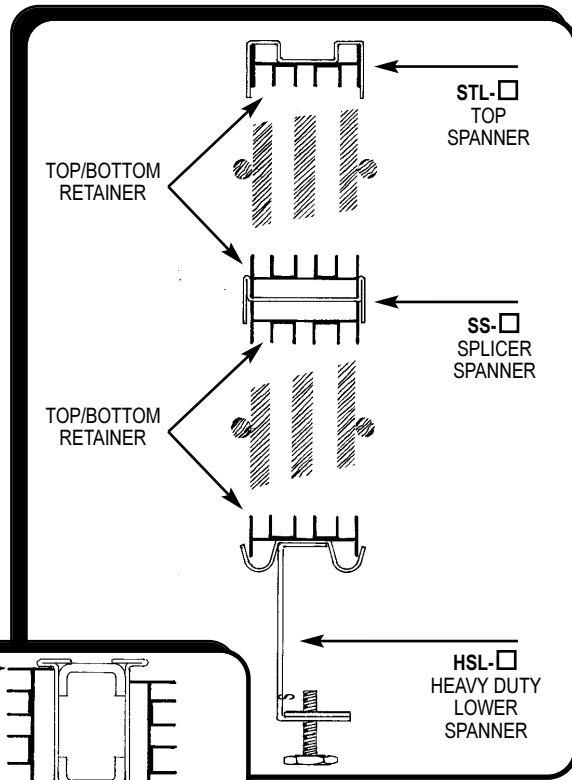
Refer to **ASY-046**, steps 5-16, to complete and level the basic framework of the fixture. At step 17, be sure to adjust the upright and **HSL-□** levelers as follows:
 • If gondola ...levelers must be 1/4" above the floor.
 • If wall...levelers must be touching the floor.

4

In the first section, place the side retainers inside of the upright panel retainers and resting on the **HSL-□**. If they are not a snug fit, a tab of masking tape will hold them temporarily.

5

Place a top/bottom retainer between the side retainers, resting on the **HSL-□**, with the channels up.



TRIPLE BACK PANEL SYSTEM

ASY 325

STEPS 6 THROUGH 11 • PARTS IDENTIFICATION

6

Slide the required combination of back panels down into the side retainer channels until seated in the top/bottom channels. The S2S hardboard panel is always in the center channel. Be sure to check requirements for materials and colors, plus which side they face.

7

Place a top/bottom retainer, channels down, over the backs until seated.

8

If the fixture *will not* have extension backs, drive in **STL** clips until they are seated on the top spanner lances. The bottom of the clip tabs must show below the spanner lances. (if it *will have*, skip to #12)

9

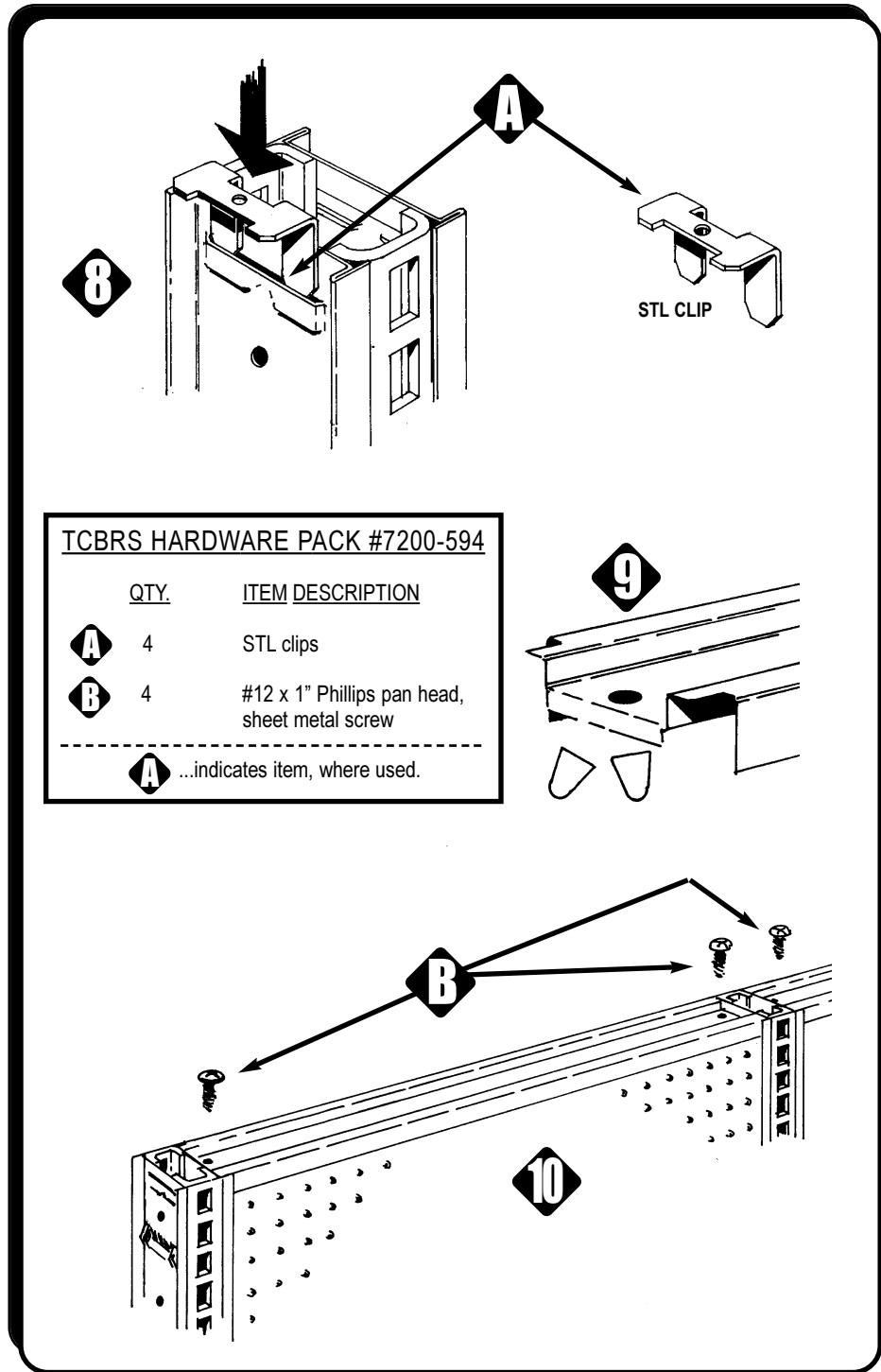
Take an **STL** and shear off the two tabs at both ends as shown.

10

Align holes in STL and STL clips and screw together as shown.

11

Repeat steps 4-8 with the remaining sections in the fixture run to complete installation of one piece backs.



TCBRS HARDWARE PACK #7200-594

QTY.	ITEM DESCRIPTION
A 4	STL clips
B 4	#12 x 1" Phillips pan head, sheet metal screw
A	...indicates item, where used.

