

4

3

2

1

REV.	DESCRIPTION	DATE
04	EMPHASIZED THE OPTION OF MOUNTING THE DOORS TO EITHER THE PRUSD OR THE PR FRAMES.	12/13/2016

04

D

D

C

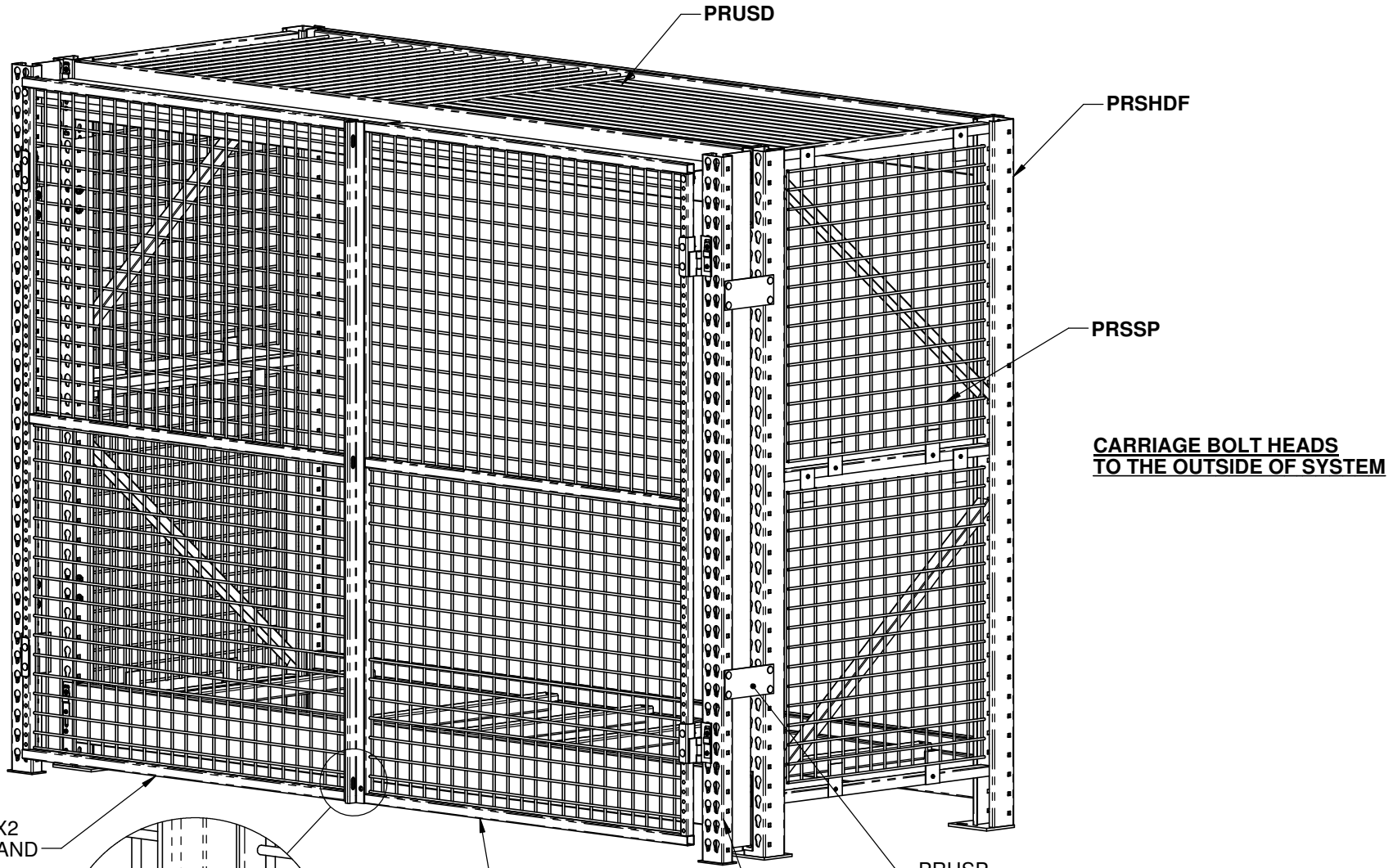
C

B

B

A

A

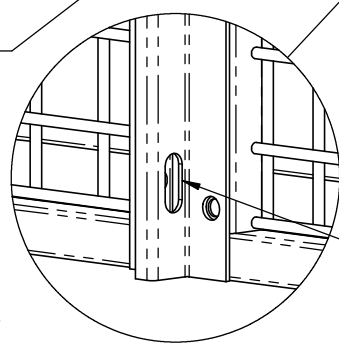


PRUSD2X2 LEFT HAND

PRUSD2X2 RIGHT HAND

PRUSD CONNECTOR PLATE

**CARRIAGE BOLT HEADS TO THE OUTSIDE OF SYSTEM**



DETAIL A  
SCALE 1 : 4

1/2" WIDE SLOT AND 1/2" DIA HOLE FOR CUSTOMER SUPPLIED LOCKS AT TOP, CENTER, AND BOTTOM

PRUSD  
**(OPTIONAL - DOORS CAN BE INSTALLED DIRECTLY TO THE PALLET RACK FRAMES)**

**madix**  
**ASY-324**  
© 2016 Madix, Inc., All rights reserved  
20984 AL HWY 9 GOODWATER, AL 35072  
PO BOX 729 TERRELL, TX 75160  
256-639-6354 / 214-515-5400 / 800-776-2349 SHEET 1 OF 5

NDOTSON 20161213	REV. 04 ECM # 500000018448
---------------------	-------------------------------

4

3

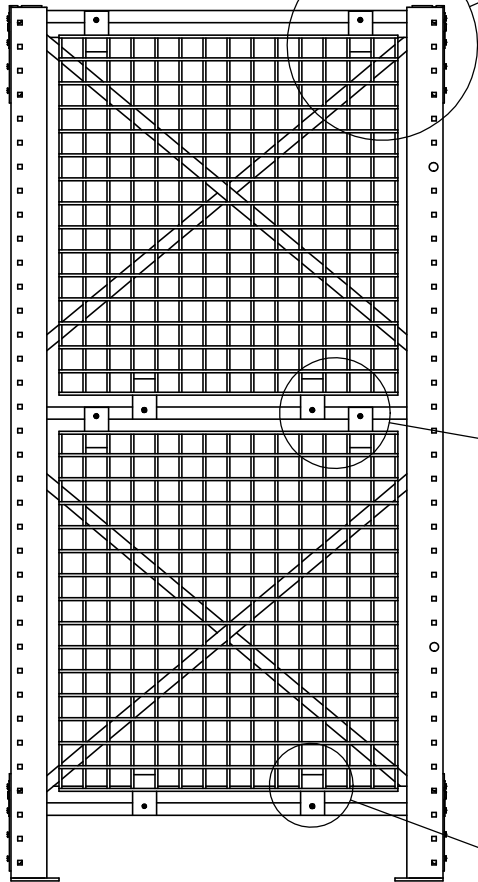
2

1

**STEP 1**

ATTACH PRSSP (SIDE SECURITY PANELS) USING SELF DRILLING/THREADING SCREWS FROM HARDWARE PACK.

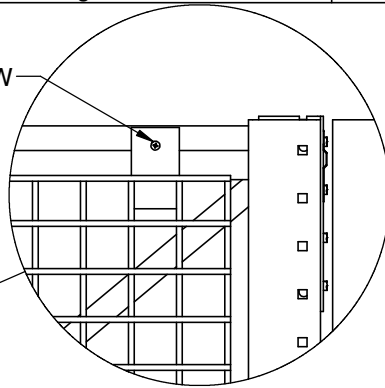
**SIDE SECURITY PANEL INSTALLATION**



**LEFT END**

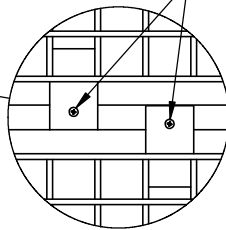
**CARRIAGE BOLT HEADS TO THE OUTSIDE OF SYSTEM**

SCREW



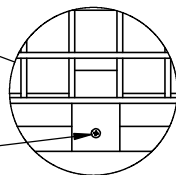
DETAIL C  
SCALE 1 : 8

SCREWS



DETAIL D  
SCALE 1 : 8

SCREW

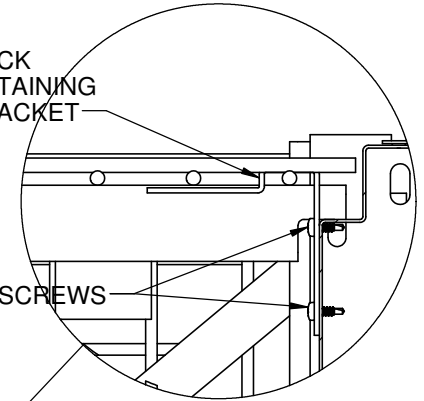


DETAIL E  
SCALE 1 : 8

**UPPER DECK PANEL INSTALLATION**

DECK RETAINING BRACKET

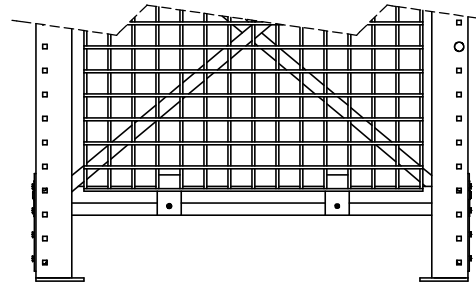
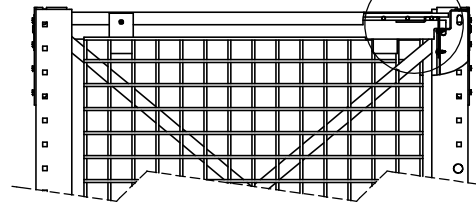
SCREWS



DETAIL F  
SCALE 1 : 4

**STEP 2**

PLACE PRUSD (UPPER SECURITY DECK) ON TOP PAIR OF BEAMS. "WEAVE" THE RETAINING BRACKETS THROUGH THE WIRE AND AGAINST THE BEAM, THREE AGAINST FRONT BEAM, THREE AGAINST REAR, ONE AT EACH END AND ONE IN THE MIDDLE, AS SHOWN. SECURE WITH SELF DRILLING/THREADING SCREWS FROM HARDWARE PACK.



**LEFT END**

**madix**

**ASY-324**

© 2016 Madix Inc., All rights reserved  
20984 AL HWY 9 GOODWATER, AL 35072  
PO BOX 729 TERRELL, TX 75160  
256-639-6354 / 214-515-5400 / 800-776-2349 SHEET 2 OF 5

NDOTSON  
20161213

REV. 04  
ECM # 500000018448

4

3

2

1

**CARRIAGE BOLT HEADS  
TO THE OUTSIDE OF SYSTEM**

**OPTIONAL  
PR UPRIGHT SECURITY  
PANEL INSTALLATION**

**STEP 3**

**WHEN USING THE PRUSP USE THE 5/16-18 FASTENERS FROM THE HARDWARE PACK TO ATTACH IT TO THE PR FRAMES USING THE CONNECTOR PLATES**

**ALLOW SPACE NEAR THE TOP AND BOTTOM FOR THE DOOR HINGES IN STEP 4.**

D

D

C

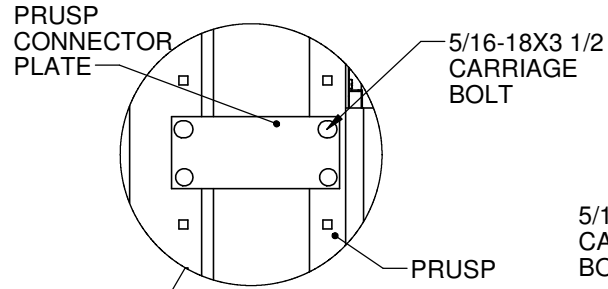
C

B

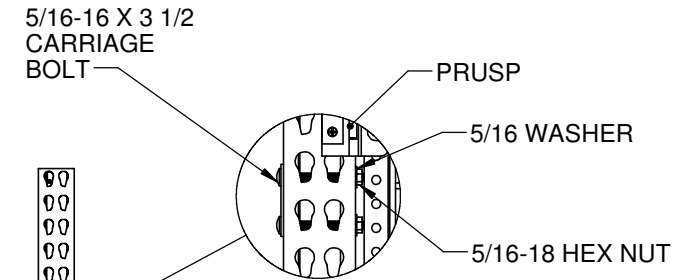
B

A

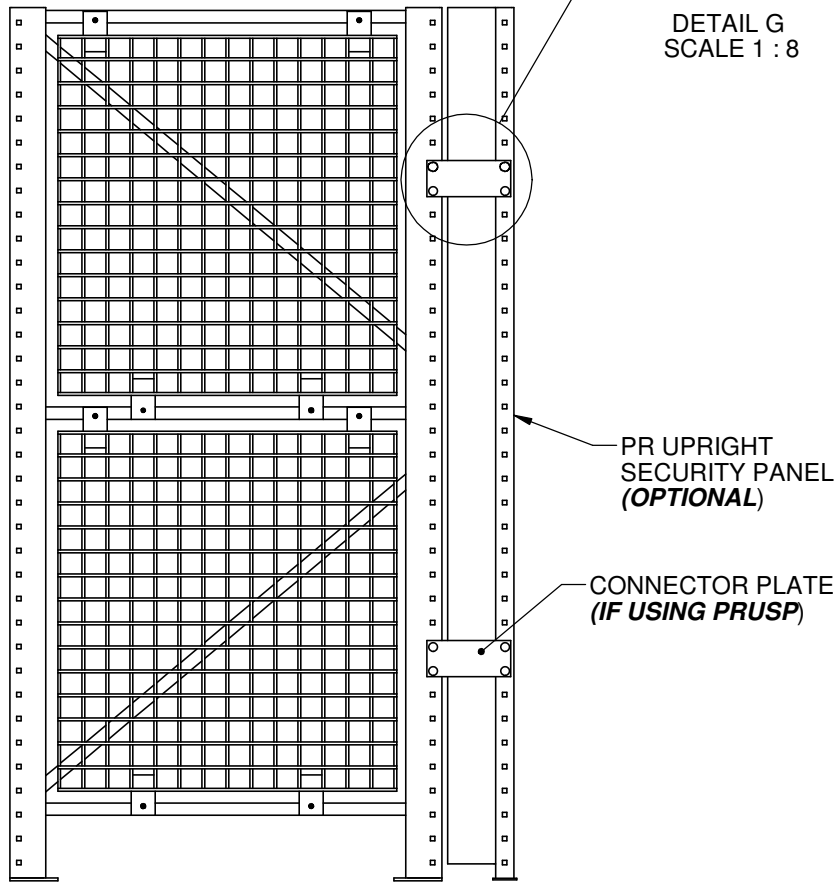
A



DETAIL G  
SCALE 1 : 8



DETAIL H  
SCALE 1 : 8



**LEFT END**

**FRONT, LEFT UPRIGHT  
SHOW WITH OPTIONAL  
PR UPRIGHT SECURITY PANEL**

**madix**  
**ASY-324**

© 2016 Madix Inc., All rights reserved  
20984 AL HWY 9 GOODWATER, AL 35072  
PO BOX 729 TERRELL, TX 75160  
256-639-6354 / 214-515-5400 / 800-776-2349 SHEET 3 OF 5

NDOTSON  
20161213

REV. 04  
ECM # 500000018448

4

3

2

1

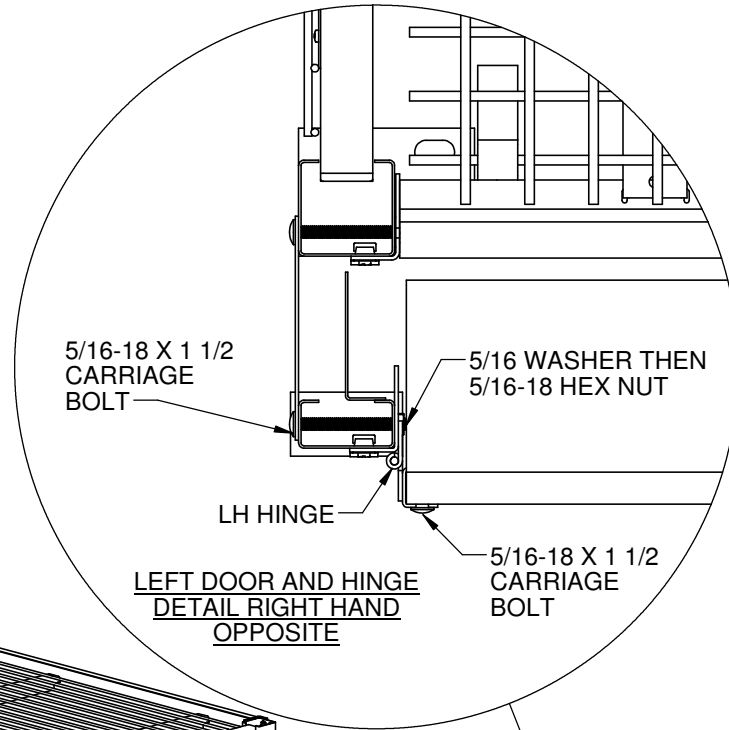
**CARRIAGE BOLT HEADS  
TO THE OUTSIDE OF SYSTEM**

**STEP 4**

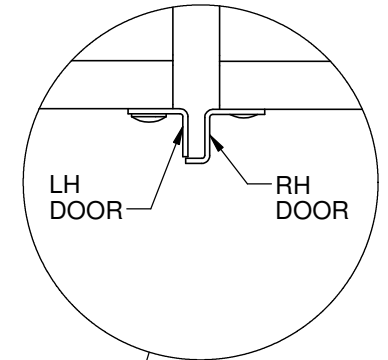
**DOORS CAN BE  
CONNECTED DIRECTLY  
TO THE PALLET RACK  
FRAME IF NOT  
USING THE OPTIONAL  
PRUSP.**

SECURE EITHER LH OR RH DOOR TO  
PRUSP OR PALLET RACK FRAME  
WITH 5/16-18 FASTENERS.

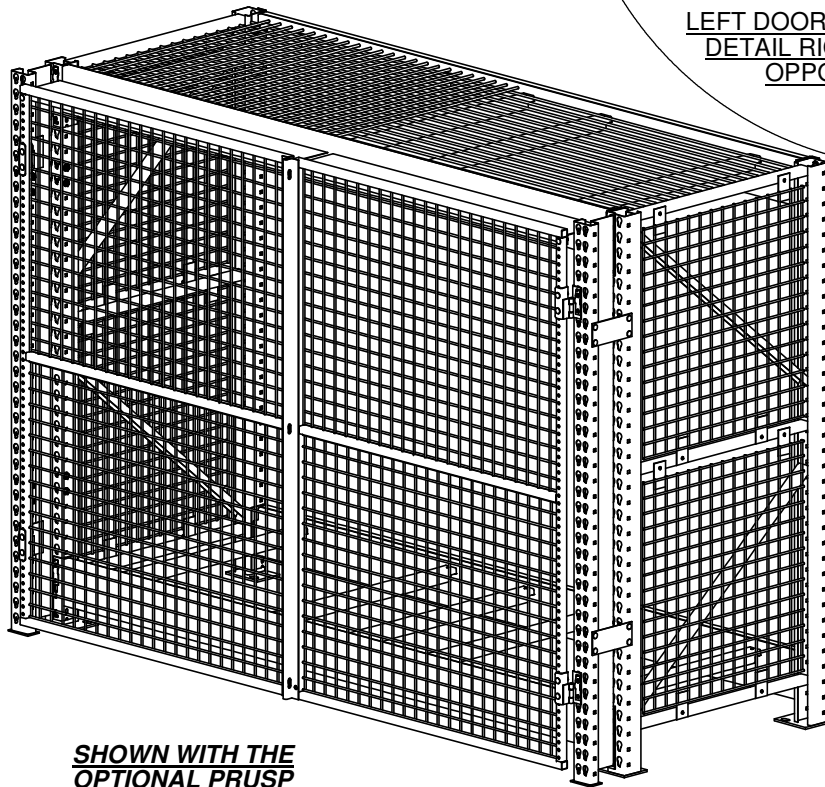
INSTALL THE OPPOSITE DOOR.



DETAIL J  
SCALE 1 : 6

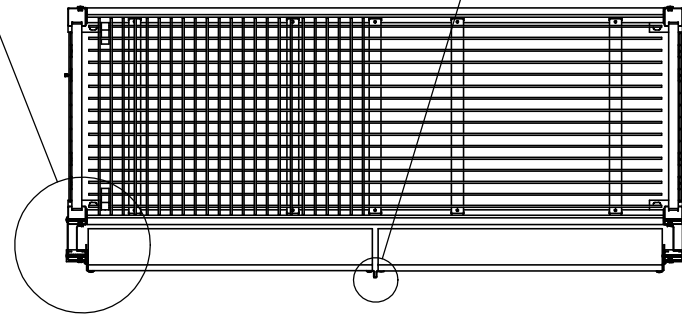


DETAIL K  
SCALE 1 : 4



**SHOWN WITH THE  
OPTIONAL PRUSP**

**ISOMETRIC VIEW**



TOP

**SECURITY DOOR  
INSTALLATION**

**madix**  
**ASY-324**

© 2016 Madix Inc., All rights reserved  
20984 AL HWY 9 GOODWATER, AL 35072  
PO BOX 729 TERRELL, TX 75160  
256-639-6354 / 214-515-5400 / 800-776-2349 SHEET 4 OF 5

NDOTSON  
20161213

REV. 04  
ECM # 500000018448

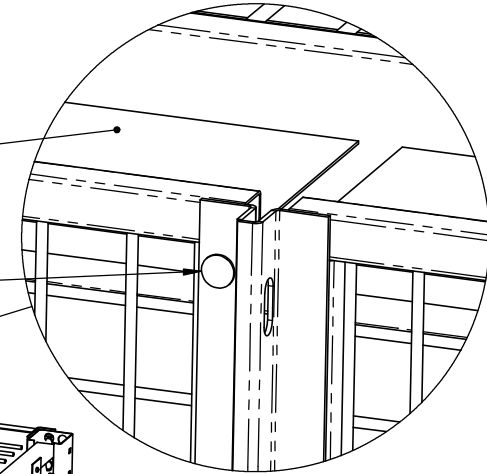
**CARRIAGE BOLT HEADS  
TO THE OUTSIDE OF SYSTEM**

**STEP 5**

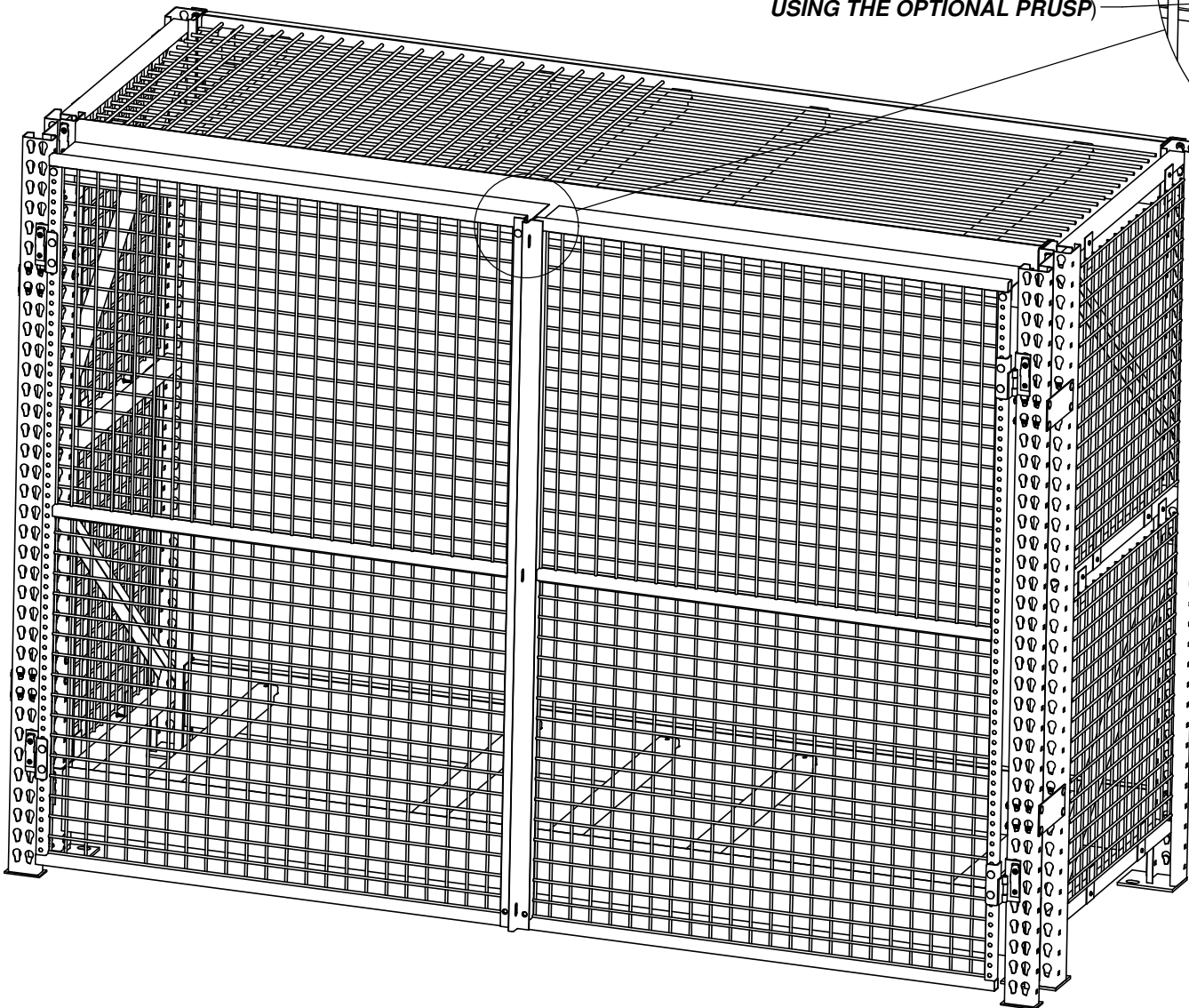
**IF USING THE OPTIONAL PRUSP AT THE TOP OF EACH  
DOOR USE THE 1/4-20 FASTERENS AND ATTACH  
THE SHEET METAL SECURITY PANEL**

PRSD2X2  
UPPER SECURITY  
PANEL, SHEET METAL  
**(ONLY USED WHEN  
USING THE OPTIONAL PRUSP)**

1/4-20 FASTENERS  
**(ONLY USED WHEN  
USING THE OPTIONAL PRUSP)**



DETAIL L  
SCALE 1 : 4



**madix**  
**ASY-324**

© 2016 Madix Inc., All rights reserved  
20984 AL HWY 9 GOODWATER, AL 35072  
PO BOX 729 TERRELL, TX 75160  
256-839-6354 / 214-515-5400 / 800-776-2349 SHEET 5 OF 5

NDOTSON  
20161213

REV. 04  
ECM # 500000018448