

OPEN BACK STIFFENER

ASY 042

ADDENDUM TO ASY 046, GONDOLA/WALL INSTALLATION

ALL CARTONS CONTAINING OPEN BACK STIFFENER PARTS ARE LABELED

O P E N
1
F I R S T

1

Refer to page 3 of ASY-046 for parts identification. The open back stiffener is shown at right.

2

Follow steps 1 through 3 in ASY-046, substituting the open back stiffener, OBS-□, for the lower and center spanners.

3

Next, follow steps 5 and 6 in ASY-046 to install the base shoes into the uprights.

4

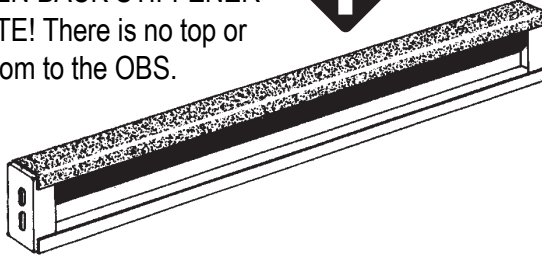
Bolt the first OBS to the first upright through the bottom slot as shown, using the screw, washers and nut from hardware pack # 7200-299...OBS should be raised until the bottom of the slot hits the screw before tightening securely

5

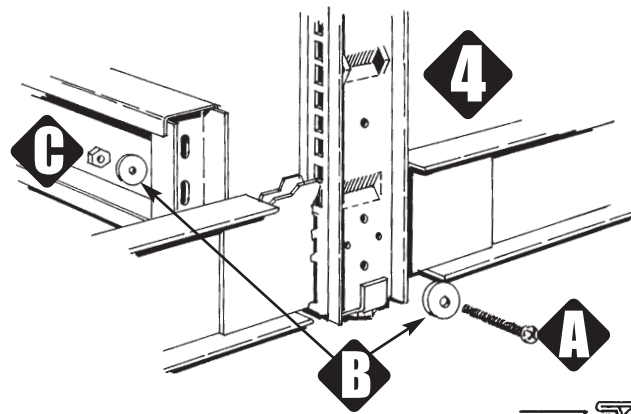
Repeat step 4 with the second upright/base shoe assembly

OBS-□
OPEN BACK STIFFENER
NOTE! There is no top or bottom to the OBS.

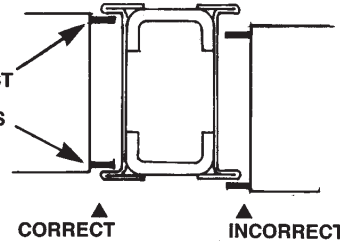
1



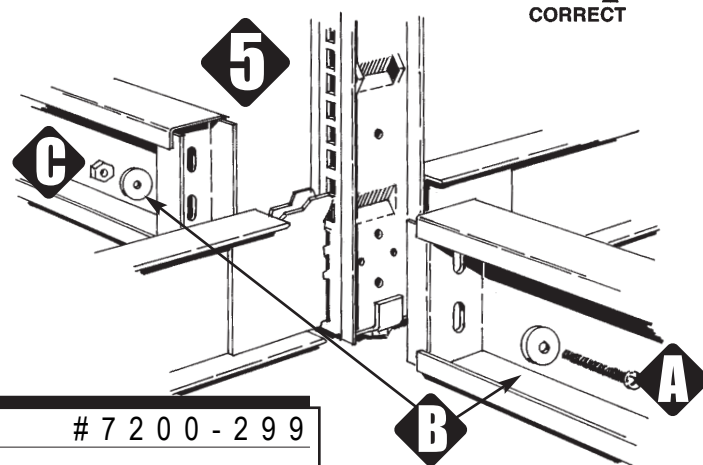
4



OBS FLANGES MUST BE INSIDE OF UPRIGHT FLANGES



5



H A R D W A R E P A C K # 7 2 0 0 - 2 9 9

QTY	ITEM DESCRIPTION
A 2	1/4 - 20 x 4" HEX HEAD MACHINE SCREW
B 4	1/4" FLAT WASHER
C 2	1/4 - 20 HEX NUT

A...indicates item, where used.

OPEN BACK STIFFENER**ASY 042**

ADDENDUM TO ASY 046, GONDOLA/WALL INSTALLATION

6

Bolt through first OBS, second upright and second OBS as in step 5, using a partner or a shim to hold up the loose end of the second OBS.

7

A. Use a carpenter's level on the first OBS and adjust the first and second upright levelers to level the OBS, then...

B. Use the carpenter's level on the face of the uprights to plumb by adjusting the base shoe levelers.

NOTE!... All levelers must be touching the floor.

8

Install both kickplates in first section. Kickplates snap in from the front, 1 1/2" notch at kickplate corners should be at top when installed...DO NOT SLIDE DOWN FROM TOP!

9

Repeat steps 4 through 7 to the end of the run.

NOTE!... Leave all screws slightly loose!

10

On last and next to last uprights, raise the OBS and tighten the screws... repeat 7A and 7B on these uprights.

11

Bring the end base shoes at each end to the chalkline...adjust remaining base shoes to be approximately 1" behind the chalkline.

