

SHELF RETAINER

INSTALLATION INSTRUCTIONS

! NOTE: This hardware pack contains 30 nylon rivets...enough for a standard pack of 10 shelf retainers...3 rivets per shelf.

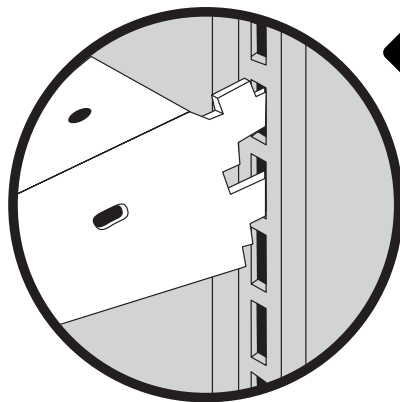
1 Install shelves in uprights at desired height in flat or downslope position.

2 Lay out shelf retainers and nylon rivets on shelves

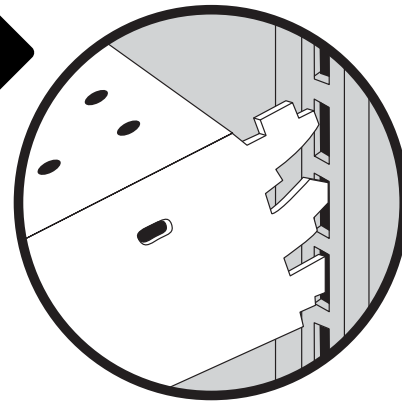
3 Push nylon rivets downward through shelf retainer slots and shelf perforations.

4 Adjust shelf retainer ends to be flush with shelf ends.

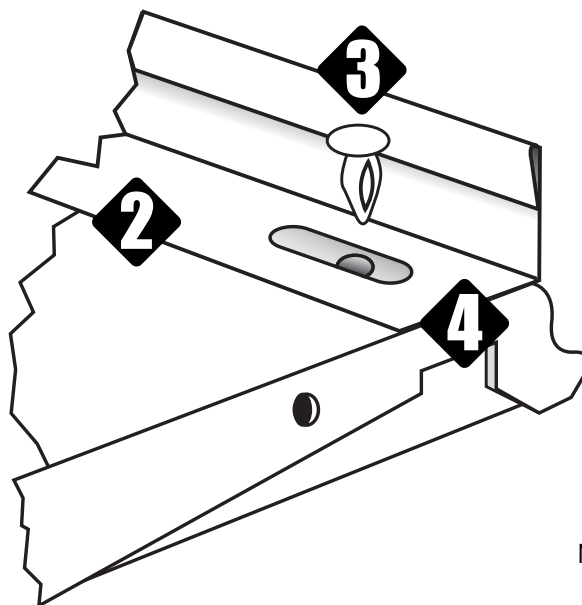
INSTALLATION COMPLETE



TWO TAB SHELF (8" - 18")
INSTALLED IN CORRECT
DOWNSLOPE POSITION.



THREE TAB SHELF (20" - 30")
INSTALLED IN CORRECT
DOWNSLOPE POSITION.



NYLON RIVET
PART #
9130-019



P.O. BOX 729 / TERRELL, TEXAS 75160 / 972.563.5744 / 800.776.2349

P.O. BOX 177 / GOODWATER, ALABAMA 35072 / 256.839.6354 / 800.633.6282

REV
B

REV#	ECN#	REVISION	BY	DATE	REV#	ECN#	REVISION	BY	DATE
A	4837	RECREATE / REVISE LAYOUT	ACM	3/22/00					
B		REVISE SHELF SIZES	AJB	4/30/02					