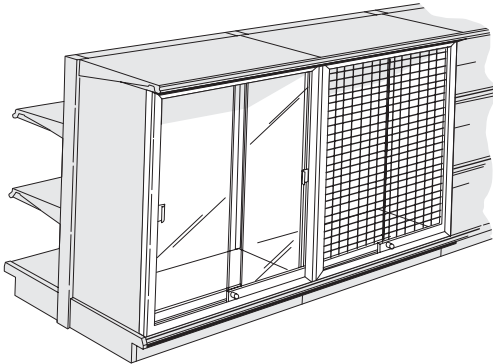
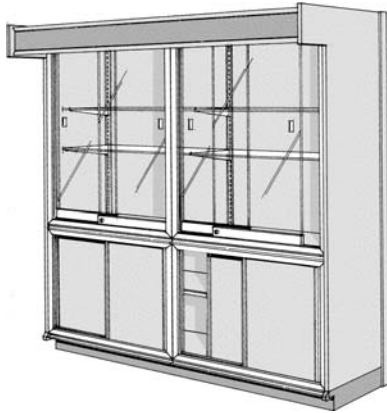


SLIDING DOOR KITS

ASY 028

PARTS IDENTIFICATION



H A R D W A R E P A C K S

SDP HARDWARE PACK #7200-065 TX

SDP HARDWARE PACK #7250-009 AL

QTY.	ITEM DESCRIPTION
4	Mounting shims
6	#8 x 1/2" Phillips pan head, TEK-2 sheet metal screw
4	#8 x 3/4" Phillips pan head, TEK-2 sheet metal screw

SDK-G,H,TG,WG HARDWARE PACK #7200-176 TX

SDK-G,H,TG,WG HARDWARE PACK #7250-216 AL

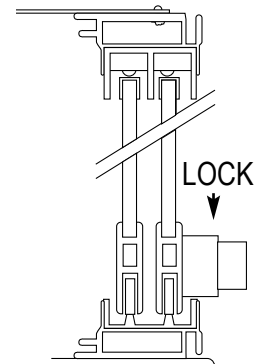
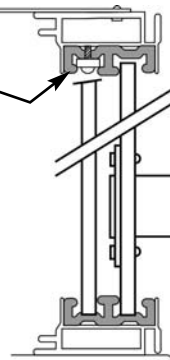
3	10-24 Weld Nut
3	#10 -24 x 1 1/4" Phillips Machine Screw
2	#10 x 5/8" Phillips Sheet Metal Screw

ANCHOR STRAP (ALL FRAMES)

REAR DOOR STOP (ALL FRAMES)

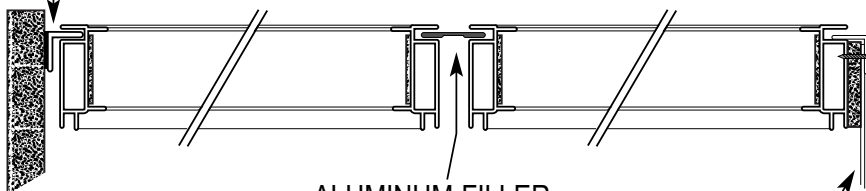
DOORS WITHOUT
ROLLER SHOE,
PVC TRACK,
HARDBOARD ONLY

LOCK



DOORS WITH ROLLER
SHOE, ALUMINUM TRACK,
GLASS OR LAMINATED
HARDBOARD

NOTE! SDK-EF□□
...MUST BE INSTALLED PRIOR TO
FRAME. PEEL PROTECTIVE PAPER
FROM DOUBLE-FACED TAPE.

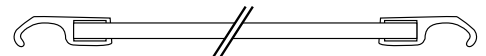
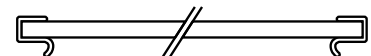


ALUMINUM FILLER

CANOPY END PANEL, END PANEL, OR BOX CORNER

DOOR KIT END PANEL

DOOR PULL, GLASS DOORS ONLY



DOOR PULL, HARDBOARD
DOORS ONLY

SLIDING DOOR KITS

ASY 028

LAYOUT FOR DOUBLE DECK DOOR KITS

96" UPRIGHT	UPPER KIT	----	----	SDKU-G□58	SDKU-G□52
90" UPRIGHT	UPPER KIT	----	SDKU-G□58	SDKU-G□42	SDKU-G□46
84" UPRIGHT	UPPER KIT	SDKU-G□58	SDKU-G□52	SDKU-G□46	SDKU-G□40
INTERMEDIATE SHELF OR WOOD SHELF BRACKET* INSTALLS AT...		19" ABOVE BASE SHELF	25" ABOVE BASE SHELF	31" ABOVE BASE SHELF	37" ABOVE BASE SHELF
	LOWER KIT	SDKL-H□18	SDKL-H□24	SDKL-H□30	SDKL-H□36

SDKL = SLIDING DOOR KIT LOWER
 SDKU = SLIDING DOOR KIT UPPER
 SDKF = SLIDING DOOR KIT FIXTURE (NO UPPER OR LOWER... DOORS ARE ENTIRE HEIGHT OF FIXTURE)

*NOTE: INTERMEDIATE SHELF MAY ALSO BE WOOD COUNTERTOP

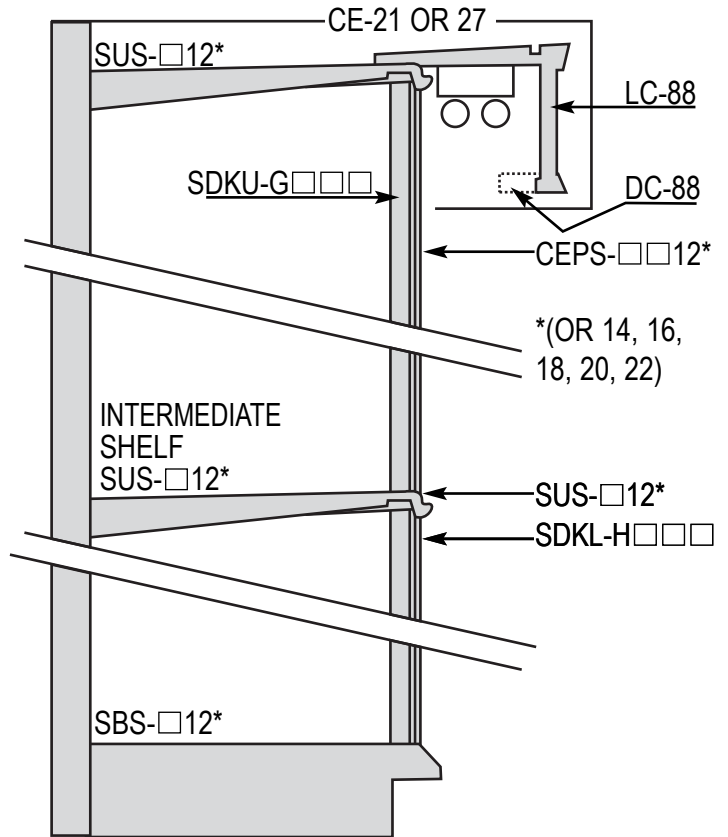
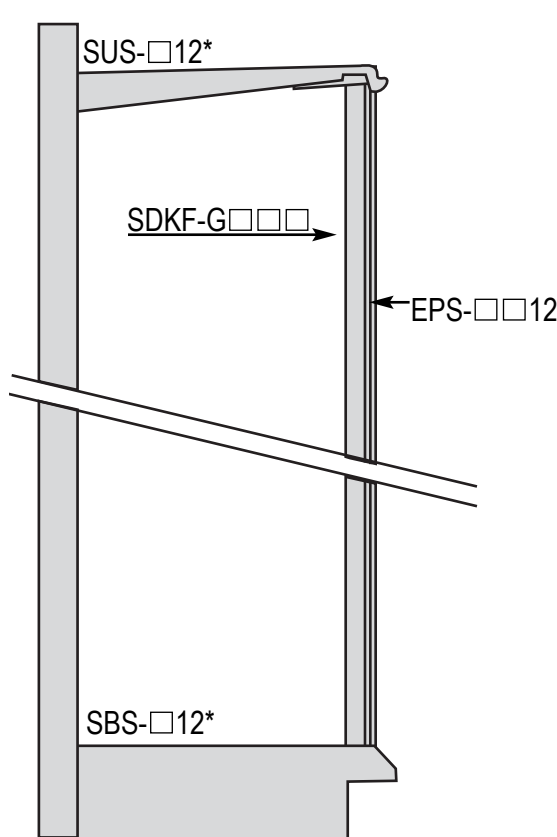
ACTUAL FRAME DIMENSIONS

3' WIDTH = 35 1/2"
 4' WIDTH = 47 1/2"

HARDBOARD	SDKL-H□36 = 37" HIGH
	SDKL-H□30 = 31" HIGH
	SDKL-H□24 = 25" HIGH
	SDKL-H□18 = 19" HIGH

SLA G	SDK□-G□66 = 66" HIGH... FOR 72" HIGH FIXTURE ONLY
	SDK□-G□60 = 60" HIGH... FOR 66" HIGH FIXTURE ONLY
	SDK□-G□58 = 57" HIGH
	SDK□-G□54 = 54" HIGH... FOR 60" HIGH FIXTURE ONLY
	SDK□-G□52 = 51" HIGH
	SDK□-G□48 = 48" HIGH... FOR 54" HIGH FIXTURE ONLY
	SDK□-G□46 = 45" HIGH
	SDK□-G□40 = 39" HIGH

U or F



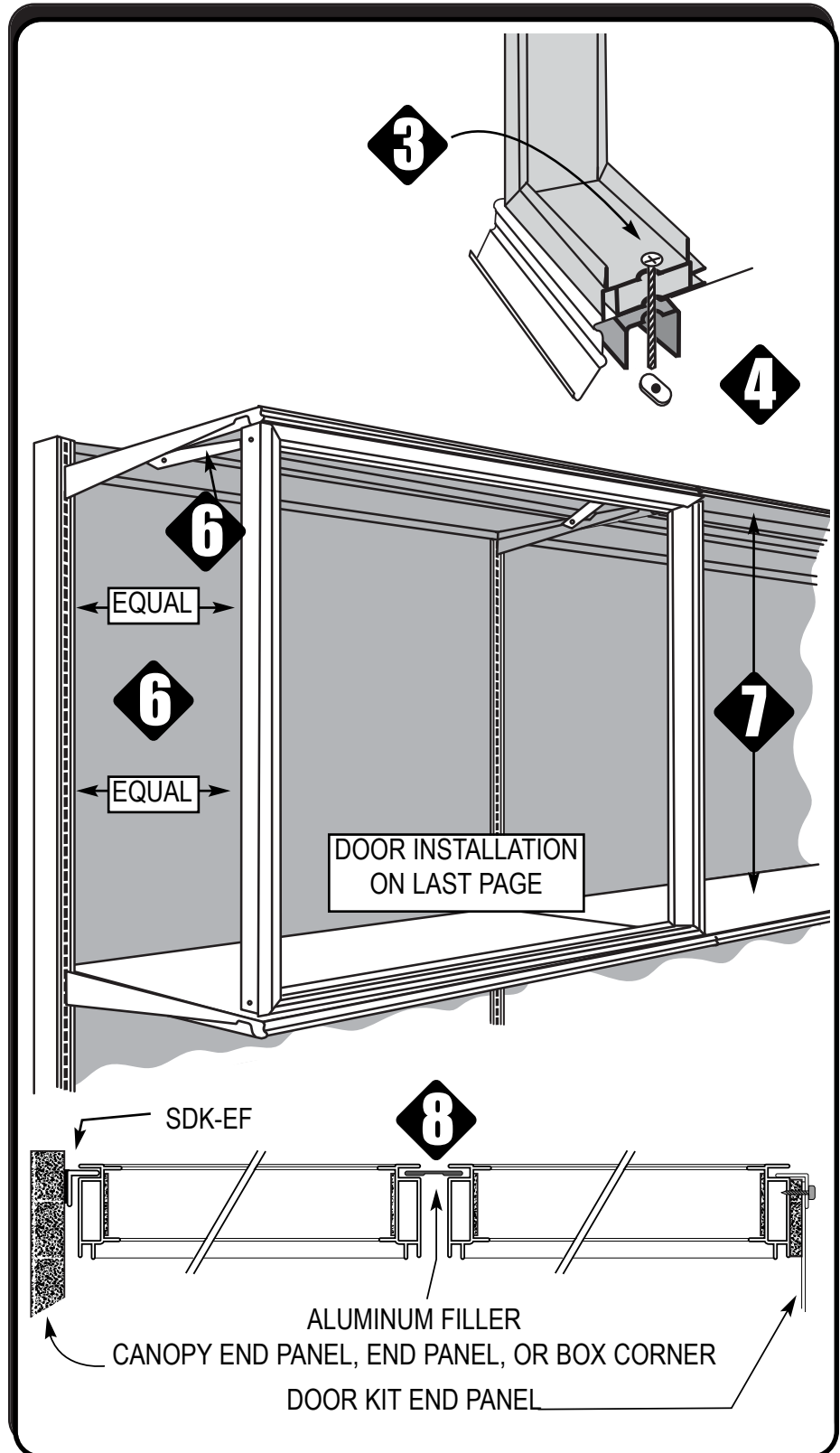
SLIDING DOOR KITS

ASY 028

Install any canopy flanges, canopies, and light fixtures, before installing frames and doors. (Not shown here.)

FIRST STEP: INSTALL FRAMES & ALUMINUM FILLERS FOR HARDBOARD OR GLASS DOOR KITS

- 1** If hardboard doors, remove doors by lifting & pulling bottom plastic track out from under doors.
- 2** Place first frame between shelves in approximate position as shown.
- 3** Along the bottom of the frame there are 3 pre-drilled holes. Align frame with the front of the bottom shelf so that frame holes align with the row of holes at the front of the shelf.
- 4** Mount the frame to shelf as shown using the 1 1/4" sheet metal screws and weld nuts. Make sure it is centered left to right.
- 5** Square frame at one lower corner using framing square.
- 6** Adjust frame to be parallel to upright... push anchor straps back until they touch shelf brackets... screw anchor strap to shelf support channel using #10x5/8 screws provided.
- 7** Measure from bottom of upper shelf bracket to lower shelf at front of frame... cut all aluminum fillers to this length.
- 8** Loosely position remaining frames in the run with aluminum fillers between. Install the SDK-EF if required. To install: peel protective paper from double faced tape.
- 9** Repeat steps with remaining frames... SPACING SHOULD BE 1/2" BETWEEN FRAMES.



SLIDING DOOR KITS

ASY 028

THIRD STEP: INSTALL DOOR KIT END PANELS (IF REQ'D)



FOR END PANELS UNDER A DROP EDGE COUNTERTOP, see notes at end of next page before beginning...



Mount 1 3/8" hardboard shims on side of frame as shown, using double faced tape provided. Mark shim position on front of frame (pencil only.)



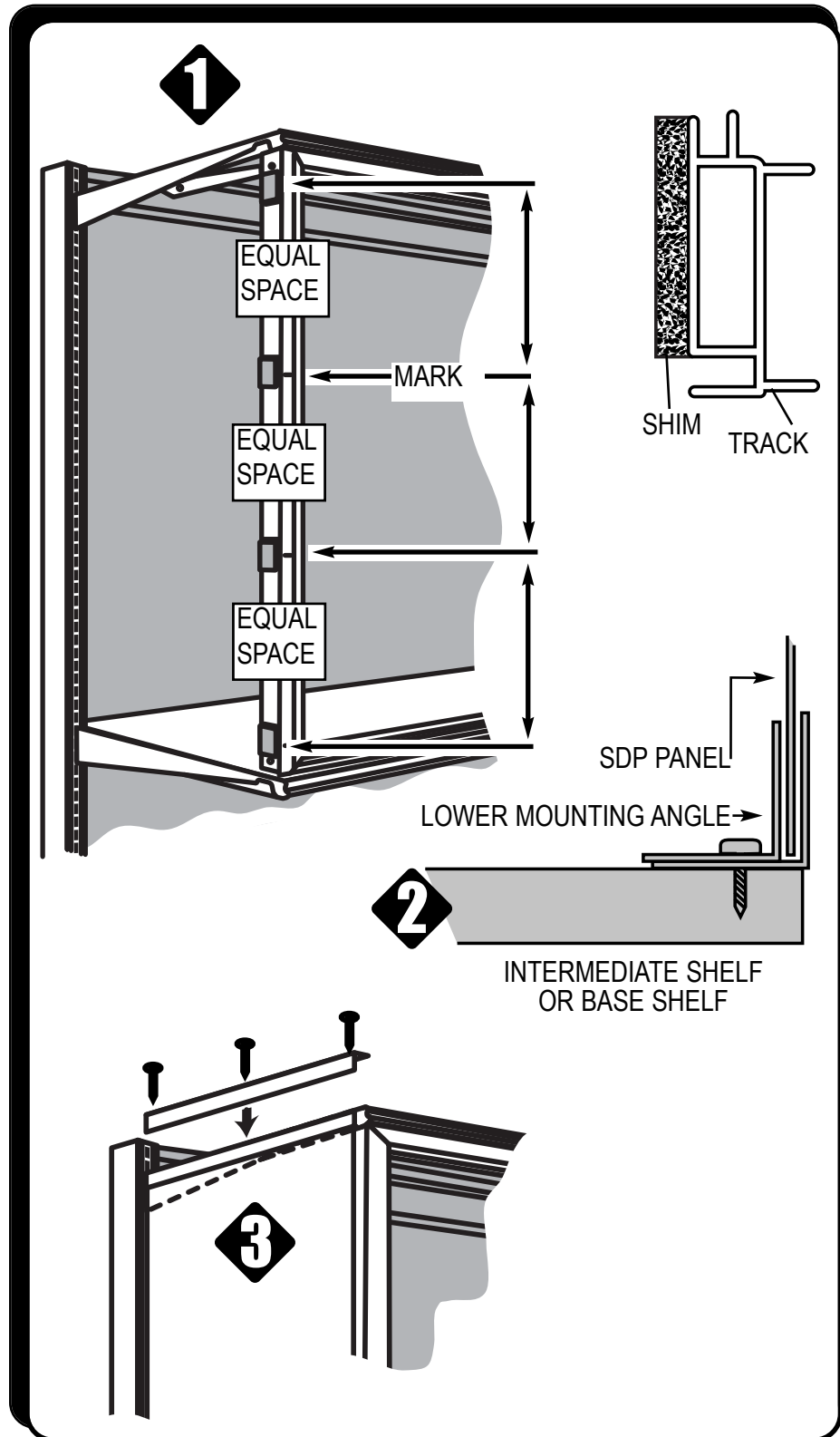
Place short leg of lower mounting angle assembly flush with edge of shelf as shown and secure with 3 - #8 x 1/2" Phillips pan head TEK-2 sheet metal screws provided.



IF SDP INSTALLS IN MIDDLE OF SHELVING RUN... Insert panel between upper brackets and slide down into lower mounting angle assembly. REAR OF PANEL NEEDS TO BE HOOKED INTO UPRIGHT SLOTS.

IF SDP INSTALLS AT END OF SHELVING RUN...

(A) Insert panel into lower mounting angle assembly and hook into upright slots. (B) Place upper mounting angle as shown with short leg on top of shelf. Secure with 3 - #8 x 1/2" Phillips pan head TEK-2 sheet metal screws provided at predrilled locations.



SLIDING DOOR KITS

ASY 028

THIRD STEP: INSTALL DOOR KIT END PANELS (IF REQ'D)

4

Insert 5/8" x 5/8" aluminum end filler angle into vertical slot in side of frame at front, trapping panel against hardboard shims. Using shim location marks on face of frame, screw angle to panel, shim and frame with 4 - #8 x 3/4" Phillips pan head TEK-2 sheet metal screws provided (drill 1/8" hole).

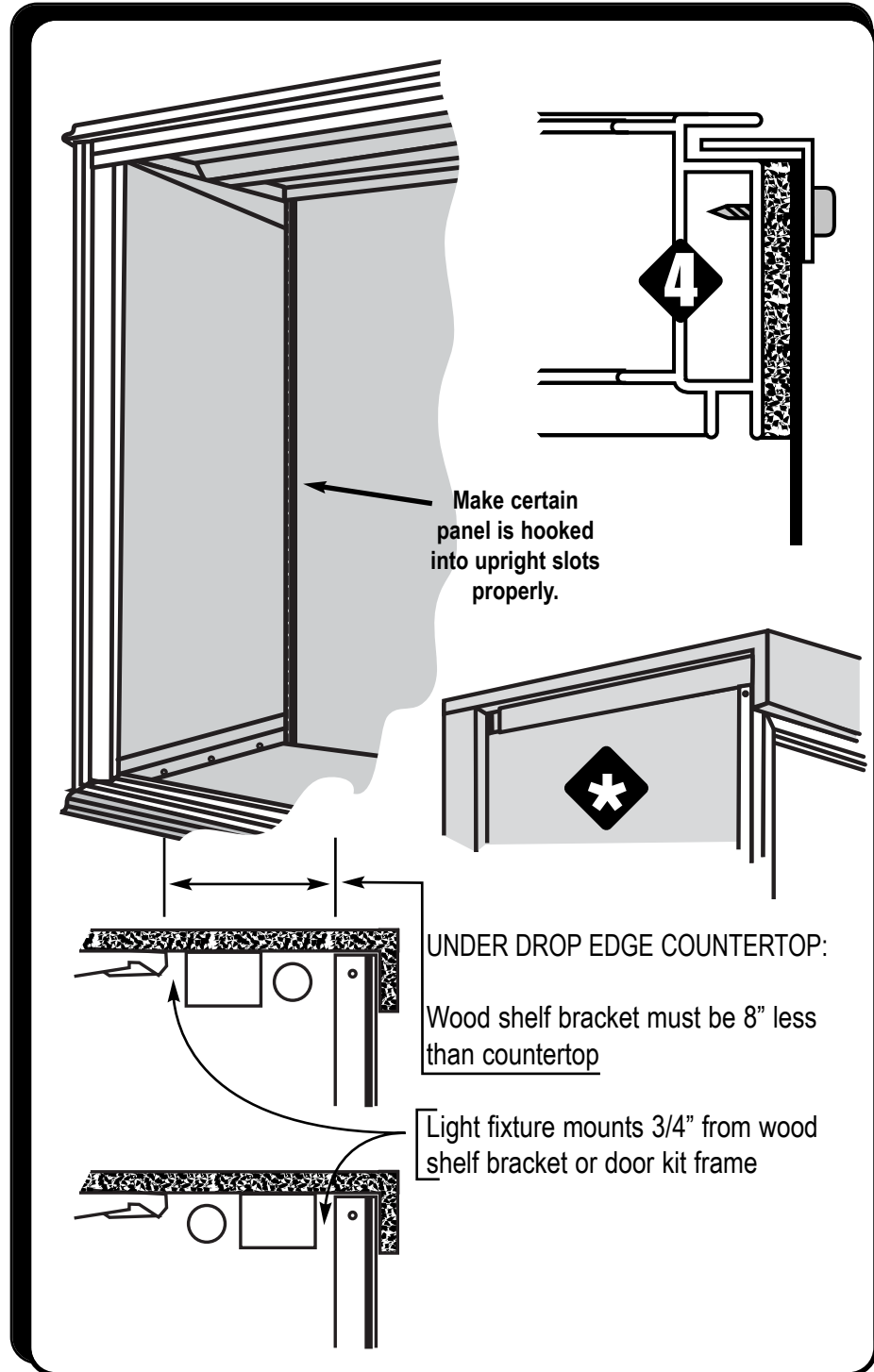
SDP PANEL AT END OF RUN UNDER DROP EDGE COUNTERTOP...
Remove screws from end wood shelf bracket and insert short leg of SDP mounting angle between bracket and countertop... push mounting angle forward to drop edge... and install per instructions for mounting SDP panel at end of shelving run, screwing bracket and mounting angle to counter top.

SDP PANEL IN MIDDLE OF RUN UNDER DROP EDGE COUNTERTOP...
Mounting angle at top is not necessary... insert SDP panel between wood shelf brackets at top rear and install per instructions for mounting SDP panel in middle of shelving run.

INSTALLING DOORS:

Install doors by positioning top of door into top track and slipping down in to bottom track.

NOTE: Install rear door first. This is the door without the lock! Install the front door last. This is the door with the lock!



Make certain panel is hooked into upright slots properly.

UNDER DROP EDGE COUNTERTOP:
Wood shelf bracket must be 8" less than countertop

Light fixture mounts 3/4" from wood shelf bracket or door kit frame



P.O. BOX 729 / TERRELL, TEXAS 75160 / 972.563.5744 / 800.776.2349

STORE FIXTURES P.O. BOX 177 / GOODWATER, ALABAMA 35072 / 205.839.6354 / 800.633.6282

REV D

REV#	ECN#	REVISION	BY	DATE	REV#	ECN#	REVISION	BY	DATE
A	4871	revise layout and steps	ACM	3/24/00	D	AL002502	CHANGE SCREWS TO 3/4"	AJB	6/19/03
B		UPDATE ASY	AJB	4/20/01					
C		change step #1	AJB	7/25/01					