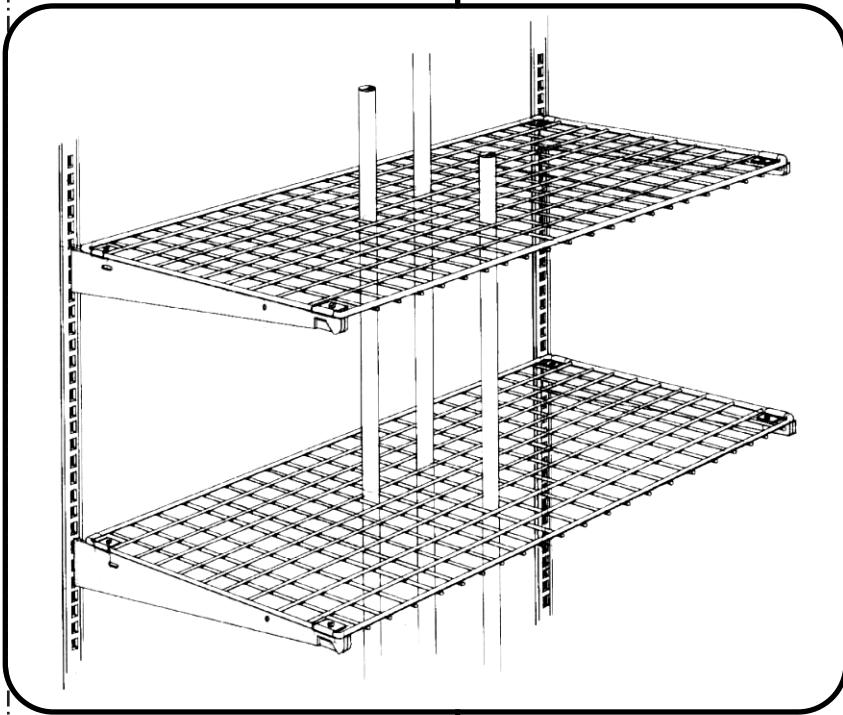


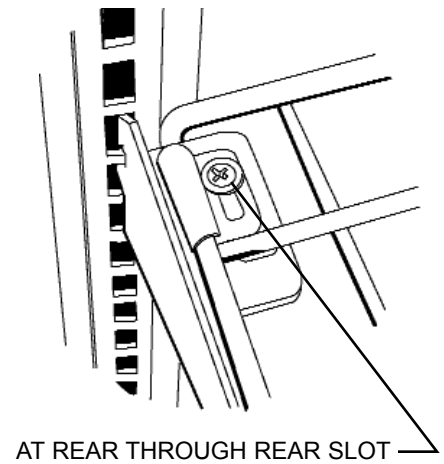
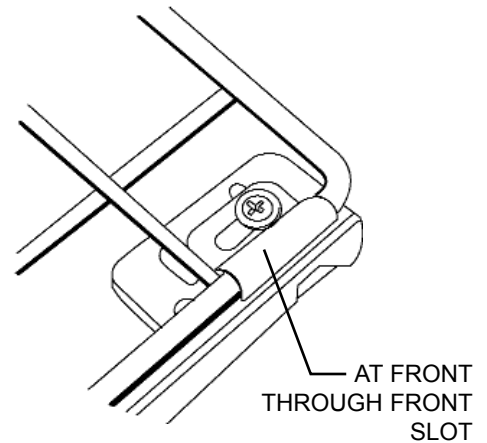
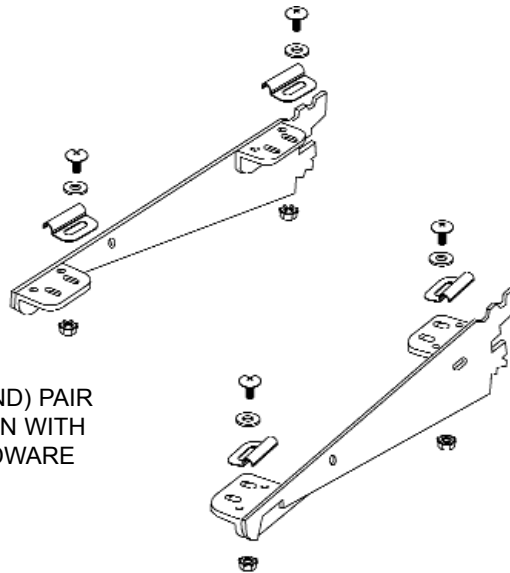
# BAKERY WIRE SHELF BRACKET (BWB)

## INSTALLATION INSTRUCTIONS

- 1** Install brackets in uprights at desired height.
- 2** Lay wire grid shelf on brackets.
- 3** Each bracket requires (2) wire shelf clips, (2) 8-32 X 1/2 Phillips machine screws, (2) flat washers and (2) nuts. Install hardware as shown. *Tighten nuts only finger tight until entire run of shelves is positioned properly.*



BWB-(ND) PAIR  
SHOWN WITH  
HARDWARE



P.O. BOX 729 / TERRELL, TEXAS 75160 / 972.563.5744 / 800.776.2349  
 P.O. BOX 177 / GOODWATER, ALABAMA 35072 / 256.839.6354 / 800.633.6282



REV#	ECN#	REVISION	BY	DATE
	AL3553	UPDATED PRODUCTS	AJB	1/6/04

REV#	ECN#	REVISION	BY	DATE