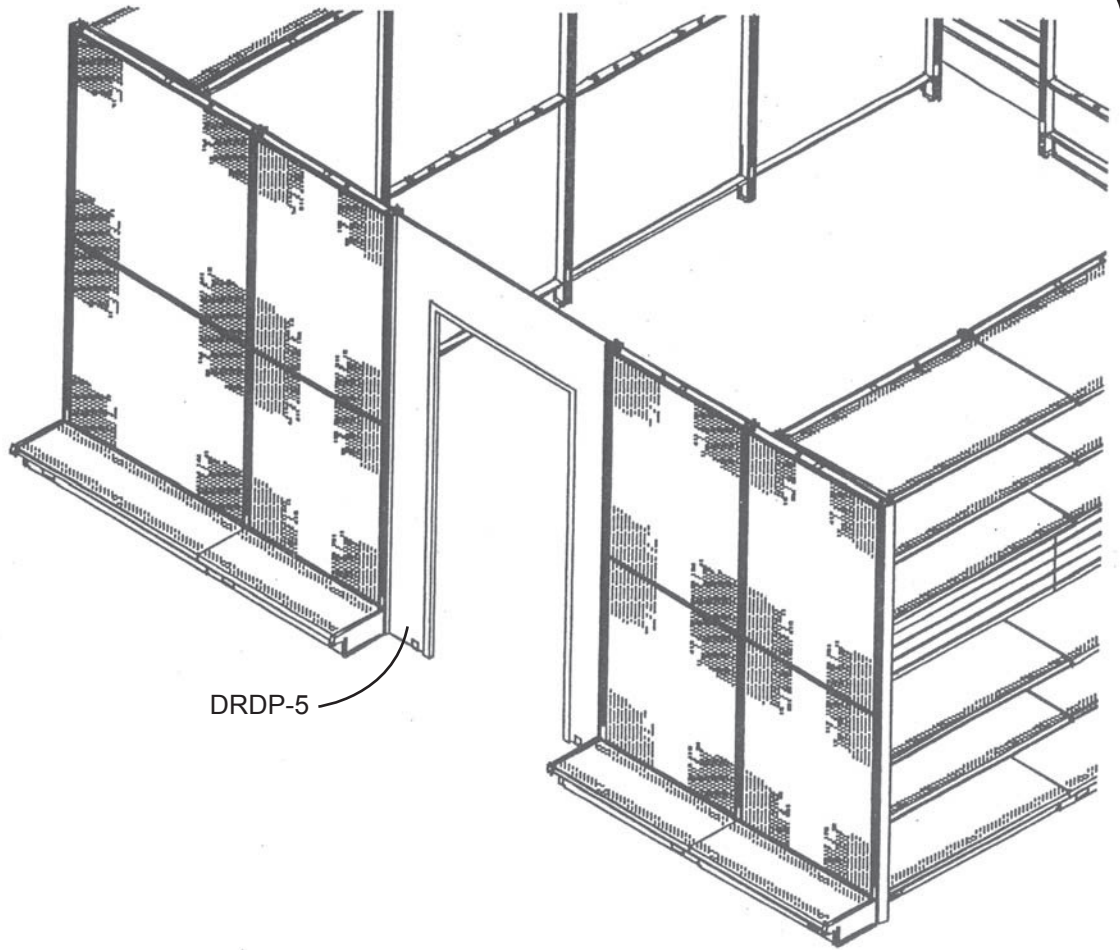


DOOR PANEL

INSTALLATION INSTRUCTIONS



1

Refer to ASY-046 for Gondola/Wall assembly for adjacent fixtures.



P.O. BOX 729 / TERRELL, TEXAS 75160 / 972.563.5744 / 800.776.2349
 P.O. BOX 177 / GOODWATER, ALABAMA 35072 / 205.839.6354 / 800.633.6282

REV

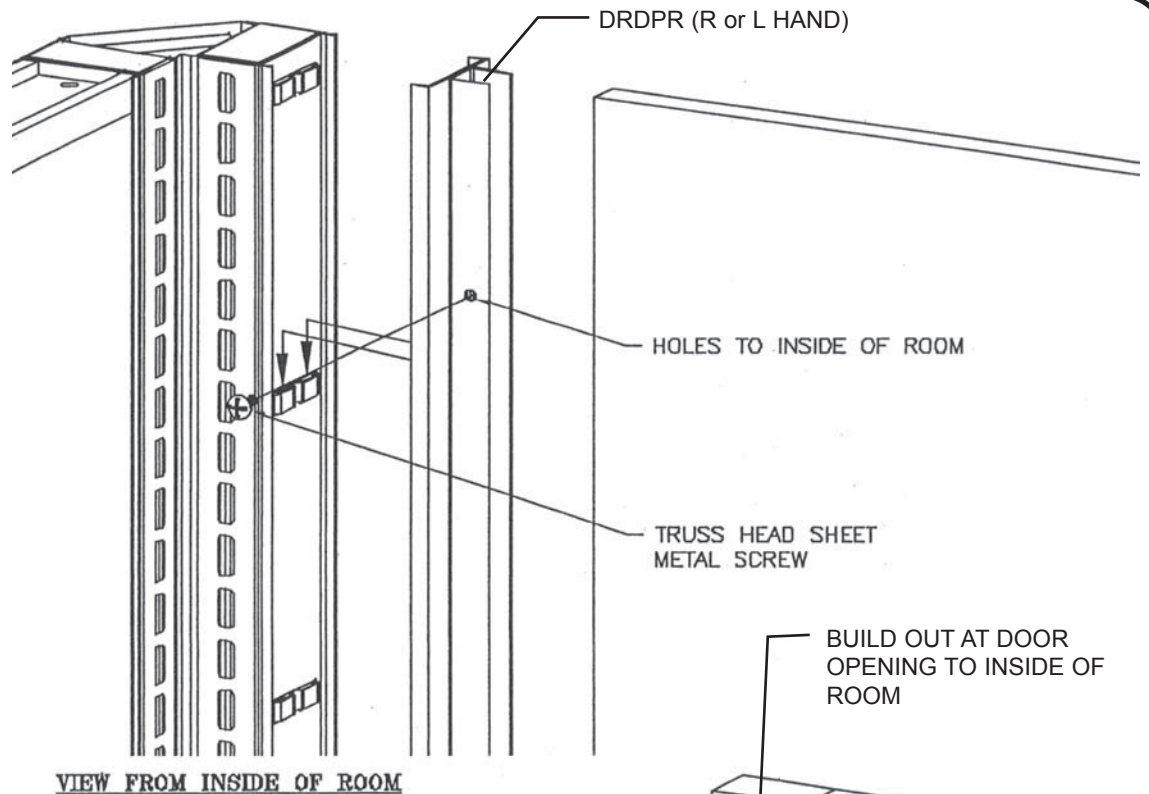
REV#	ECN#	REVISION	BY	DATE	REV#	ECN#	REVISION	BY	DATE
	AL3998		AJB	8/19/05					

DOOR PANEL

PAGE 2 OF 3

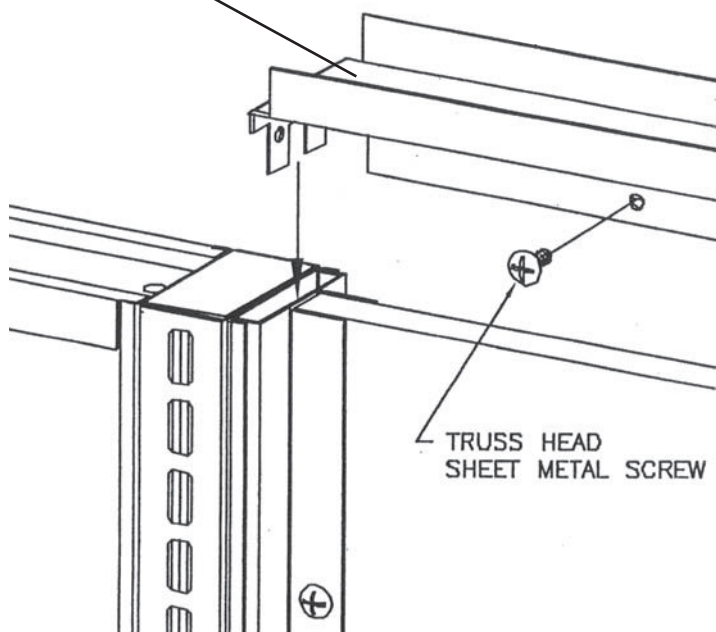
ASY1-304

INSTALLATION INSTRUCTIONS



VIEW FROM INSIDE OF ROOM

DPS, BULKHEAD SPANNER



2

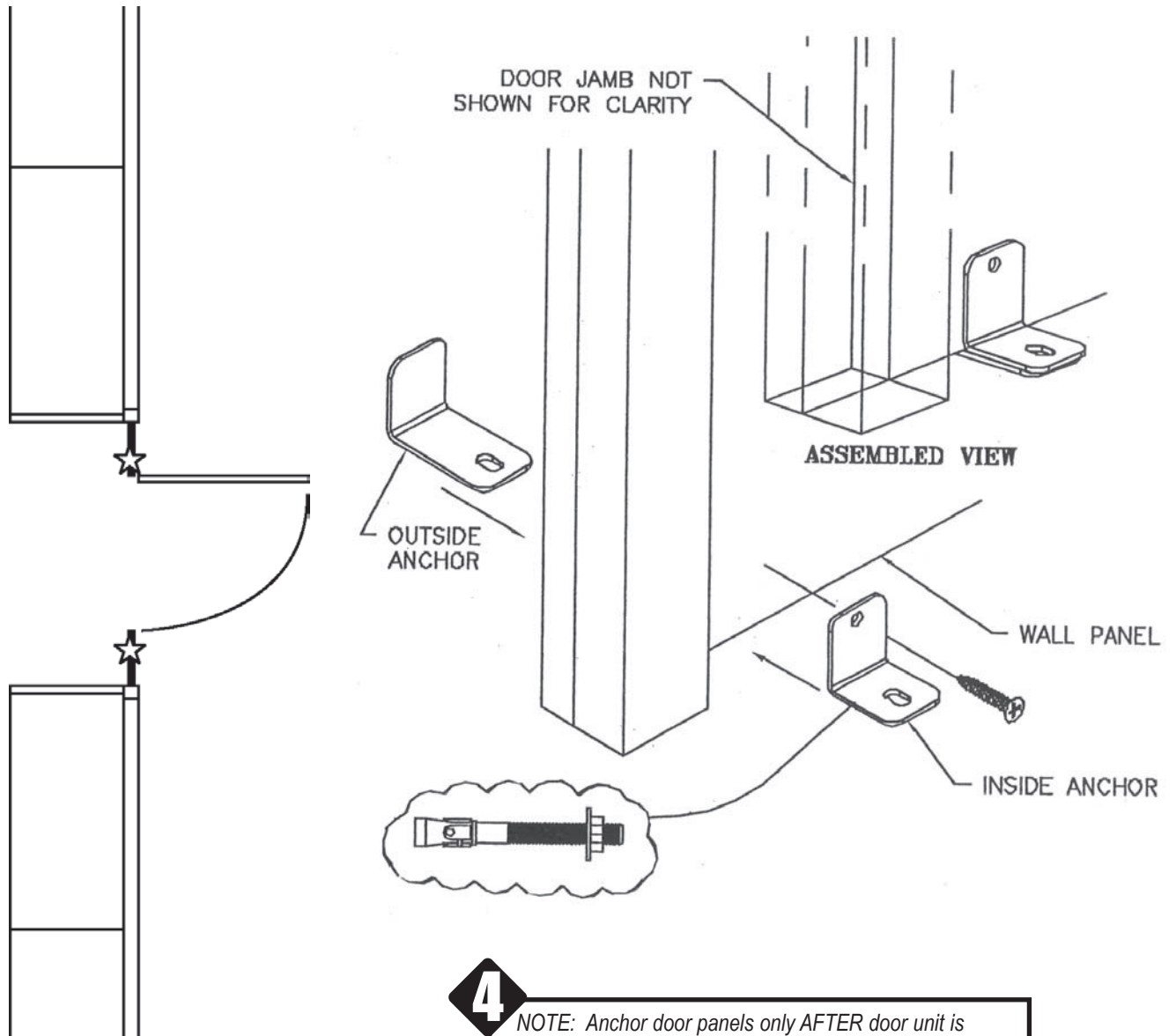
Install wall channels on uprights framing the door wall. Hooks on back of channels engage upright lances. Holes go to inside of room - channels are LH & RH. Drive channels down to flush with upright top. Push edge of door panel into channel and secure with provided screws.

3

Install bulkhead spanner. Spanner must engage top lances of upright and fit over wall panel. Secure with provided screws.

DOOR PANEL

INSTALLATION INSTRUCTIONS



APPROXIMATE LOCATION OF ANCHORS INDICATED BY STARS ABOVE

NOTE: Anchor door panels only AFTER door unit is installed. Door unit is supplied by others.

Stabilize door wall panel at bottom with floor anchors. Install anchors adjacent to door casing as shown. Rough door opening width is 38 3/4".