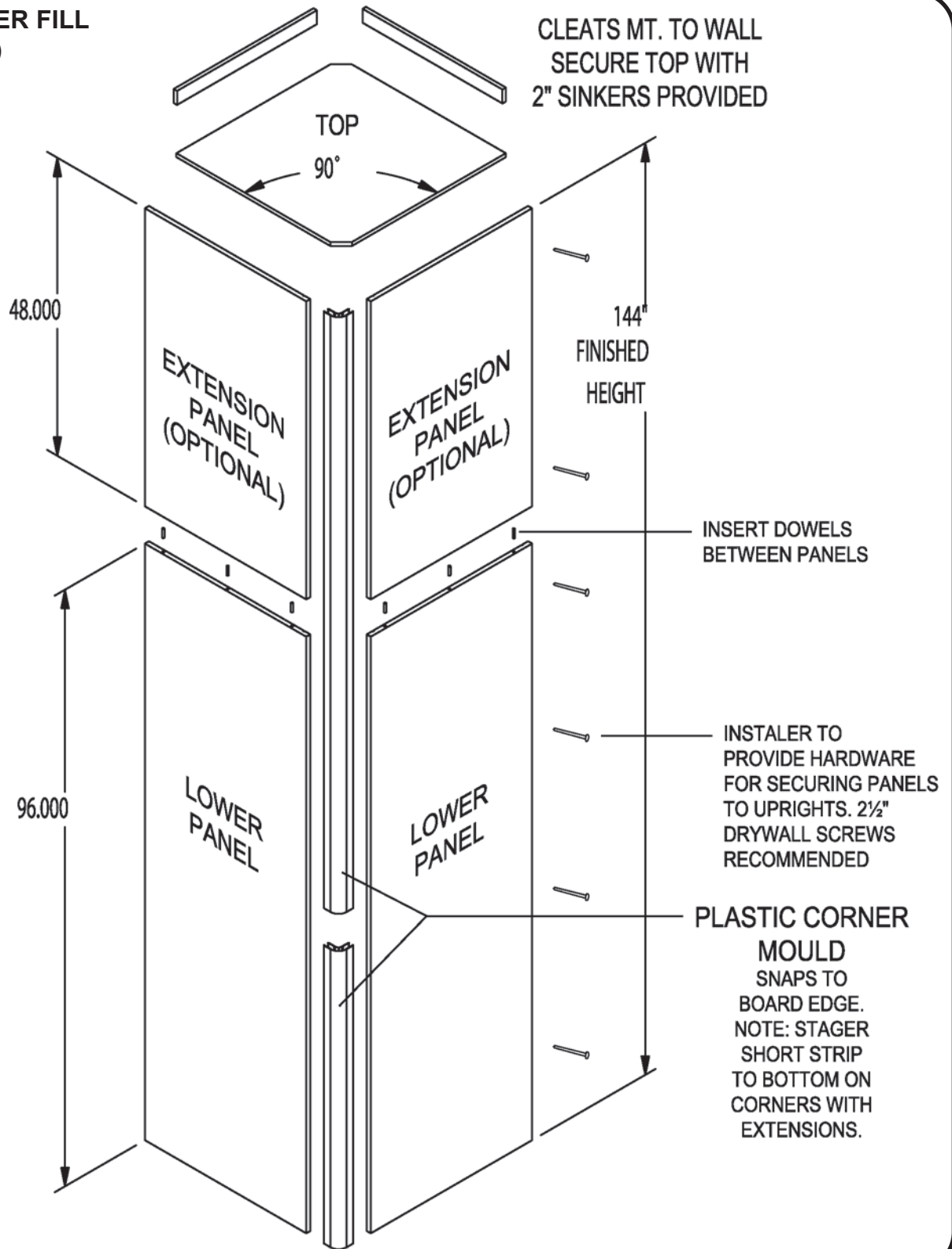


BOX CORNER WITH EXTENSION

INSTALLATION INSTRUCTIONS

90° CORNER FILL
BCETT(90)

CLEATS MT. TO WALL
SECURE TOP WITH
2" SINKERS PROVIDED



- INSERT DOWELS BETWEEN PANELS
- INSTALLER TO PROVIDE HARDWARE FOR SECURING PANELS TO UPRIGHTS. 2½" DRYWALL SCREWS RECOMMENDED
- PLASTIC CORNER MOULD SNAPS TO BOARD EDGE. NOTE: STAGER SHORT STRIP TO BOTTOM ON CORNERS WITH EXTENSIONS.



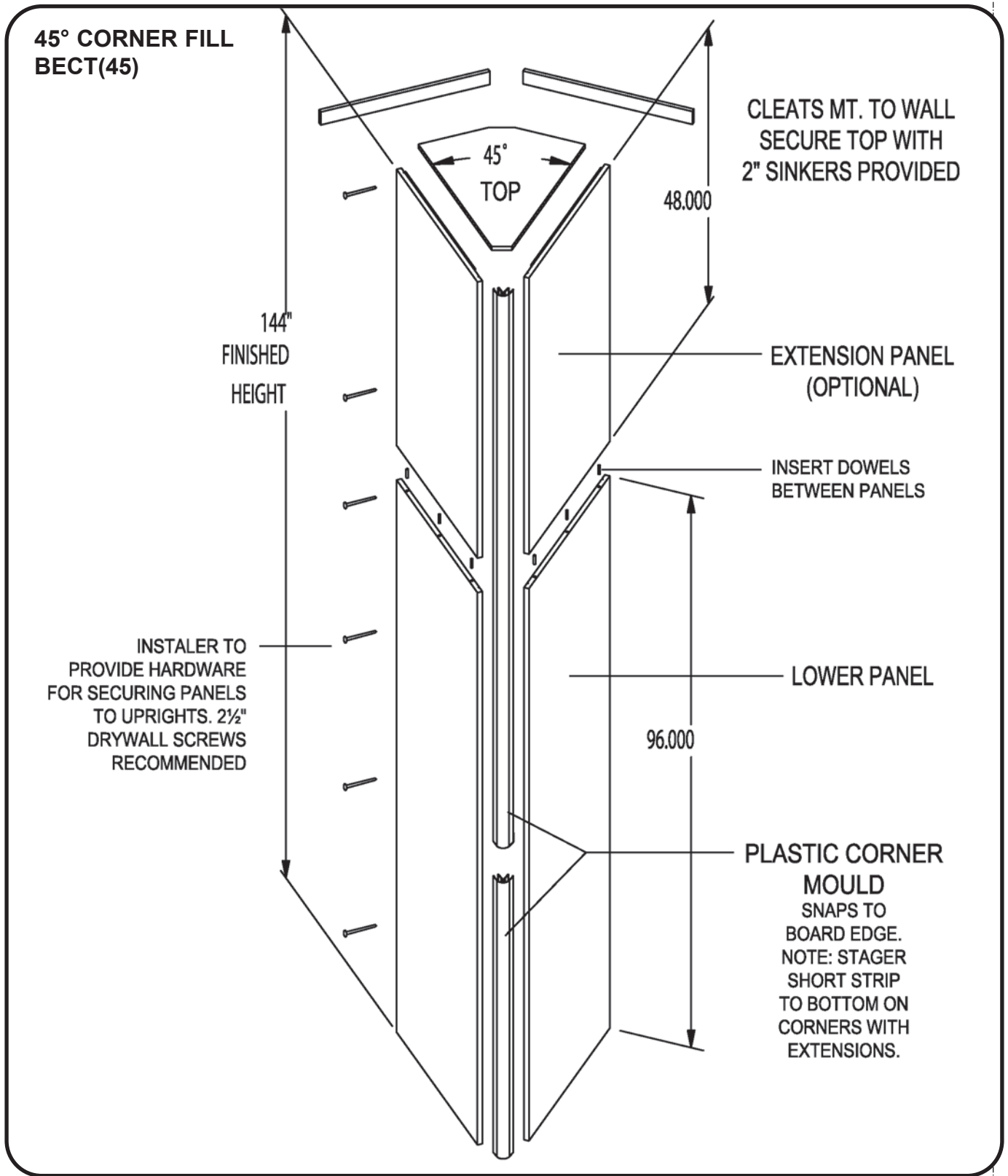
P.O. BOX 729 / TERRELL, TEXAS 75160 / 972.563.5744 / 800.776.2349
P.O. BOX 177 / GOODWATER, ALABAMA 35072 / 205.839.6354 / 800.633.6282

REV

| REV# | ECN# | REVISION | BY | DATE | REV# | ECN# | REVISION | BY | DATE |
|------|--------|----------|-----|---------|------|------|----------|----|------|
| | AL3979 | | AJB | 8/16/05 | | | | | |

BOX CORNER WITH EXTENSION

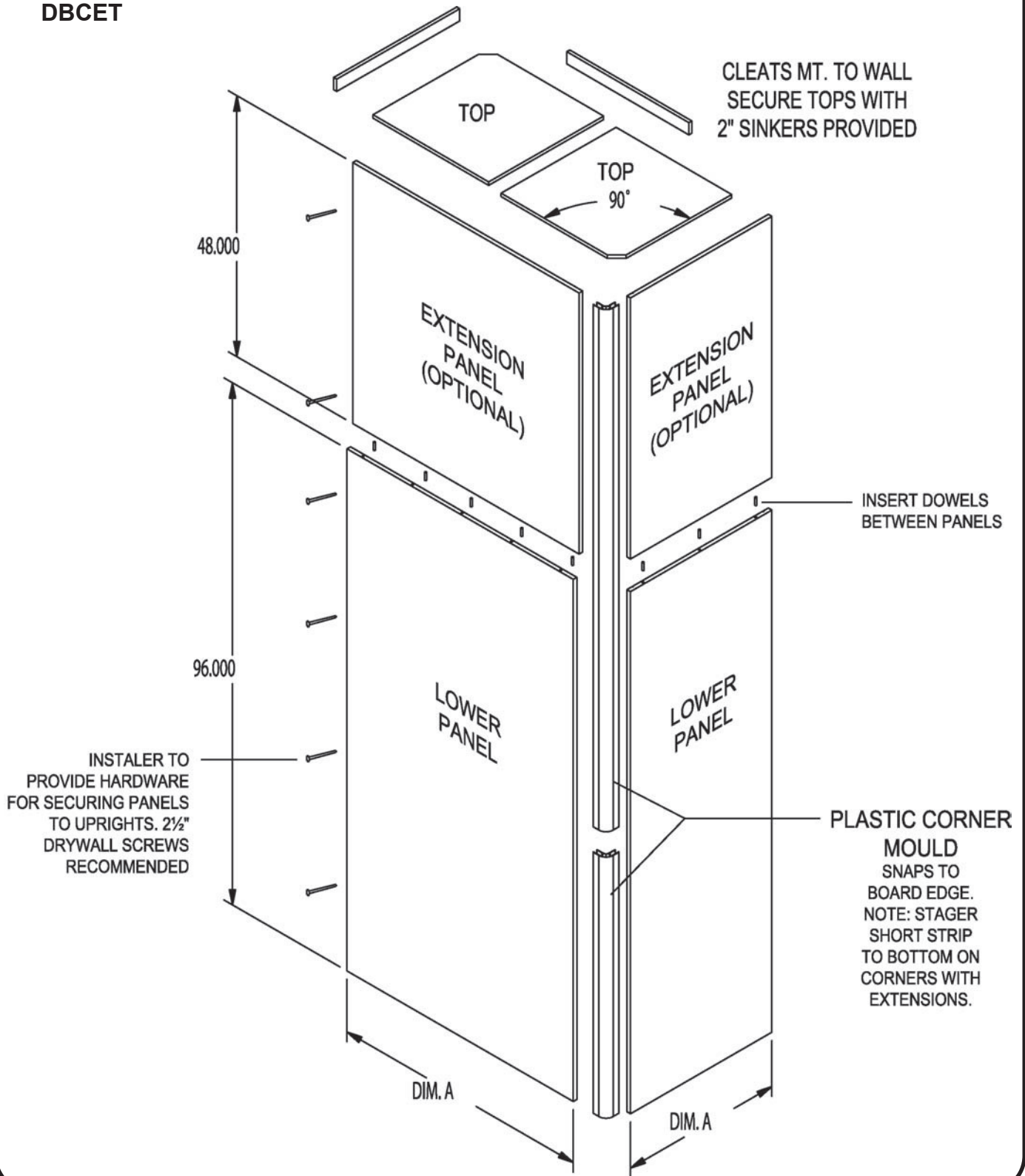
INSTALLATION INSTRUCTIONS



BOX CORNER WITH EXTENSION

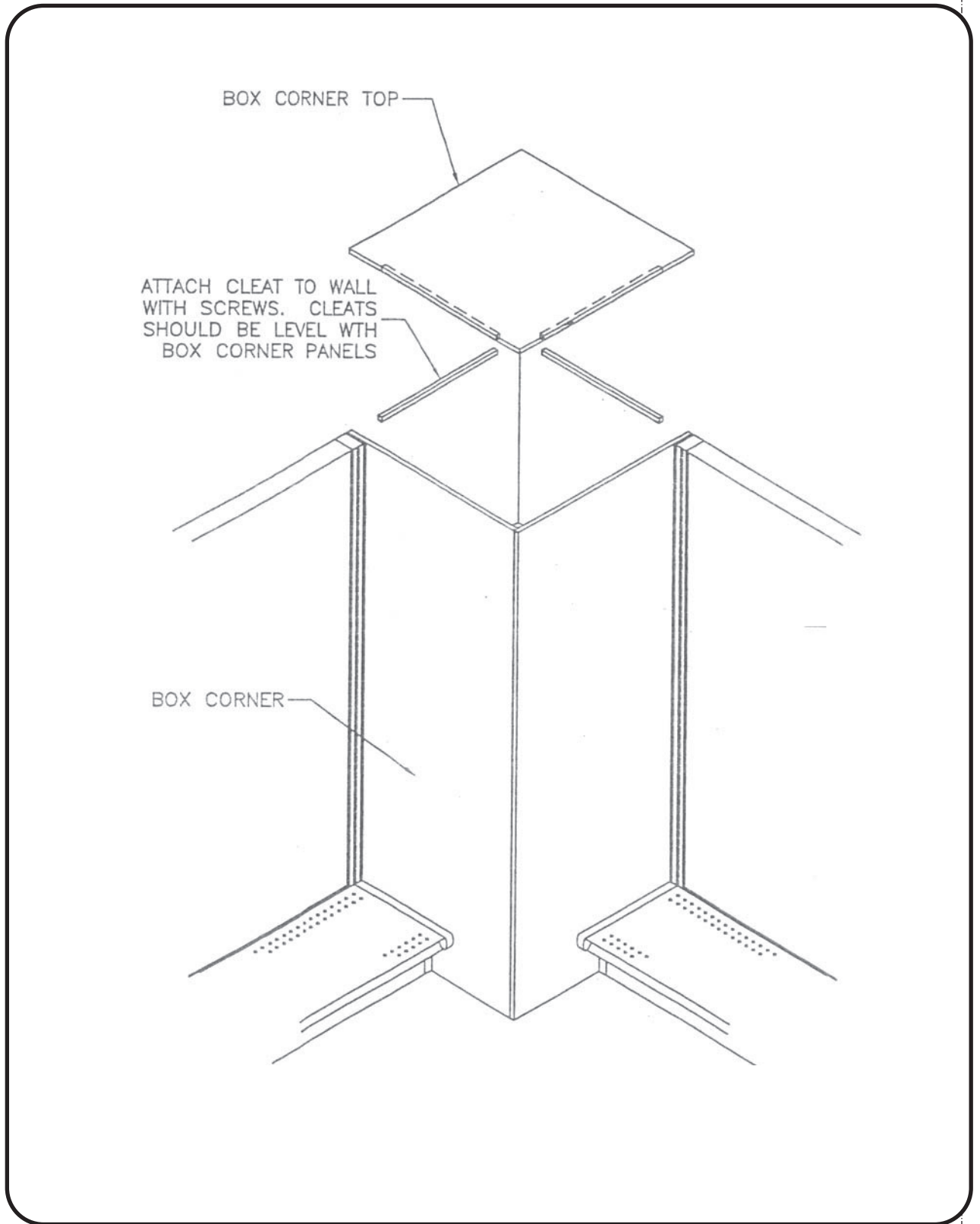
INSTALLATION INSTRUCTIONS

DOUBLECORNER FILL DBCET



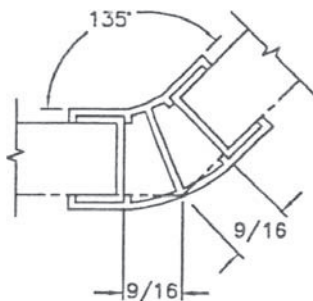
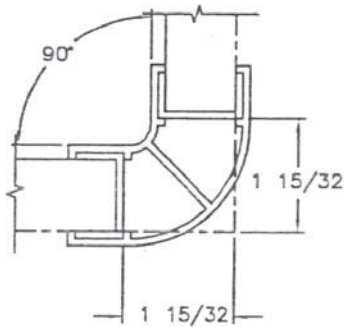
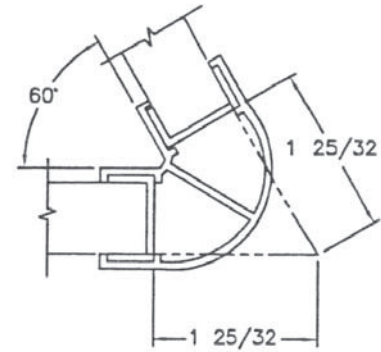
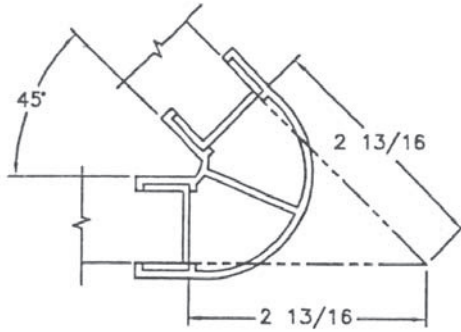
BOX CORNER WITH EXTENSION

INSTALLATION INSTRUCTIONS



BOX CORNER WITH EXTENSION

INSTALLATION INSTRUCTIONS



REQUIRED MOULDING ALLOWANCES
FOR FIGURING
WALL LENGTHS