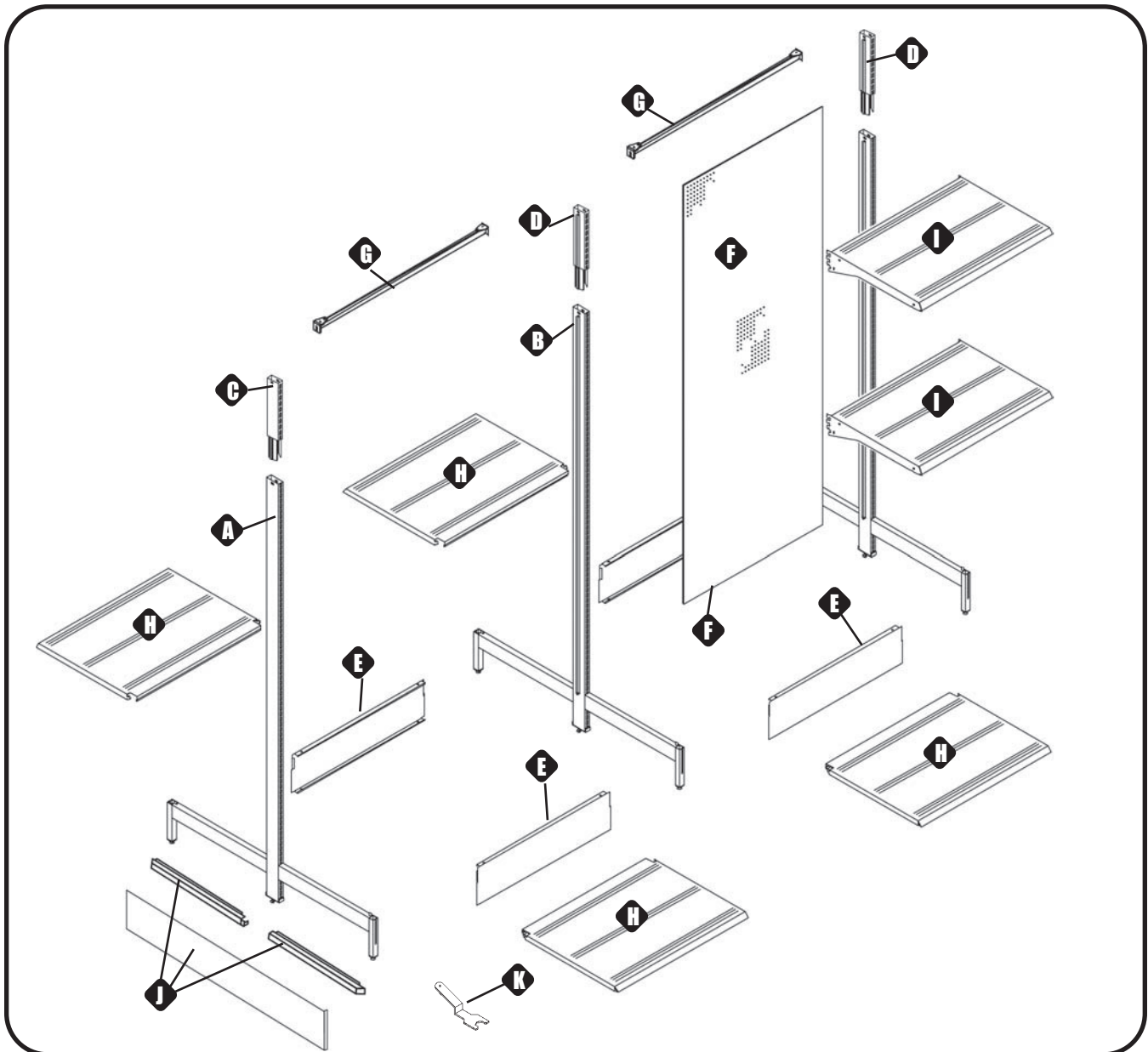


TUBELINE SINGLE TRACK

PAGE 1

ASY1-046

GONDOLA COUNTERS
PARTS IDENTIFICATION



- | | |
|-----------------------------------|--------------------------|
| A) End Upright | G) Top Cap |
| B) Intermediate Upright | H) Side Deck |
| C) End Upright Extension | I) Metal Shelf |
| D) Intermediate Upright Extension | J) Counter end Dress Kit |
| E) Kickplate | K) Leveling Wrench |
| F) Back Panel | |



FIXTURE HEIGHT TO BASE WIDTH:

If the height of the upright exceeds six times the space between the upright and shoe leveler, the system must be secured in one of the following configurations:

- For Gondolas, Base Shoe Levelers must be anchored to the floor as shown in ASY-357
- For Walls, Base Shoe Levelers AND Upright Levelers must be anchored to the floor.



TUBELINE SINGLE TRACK

GONDOLA COUNTERS

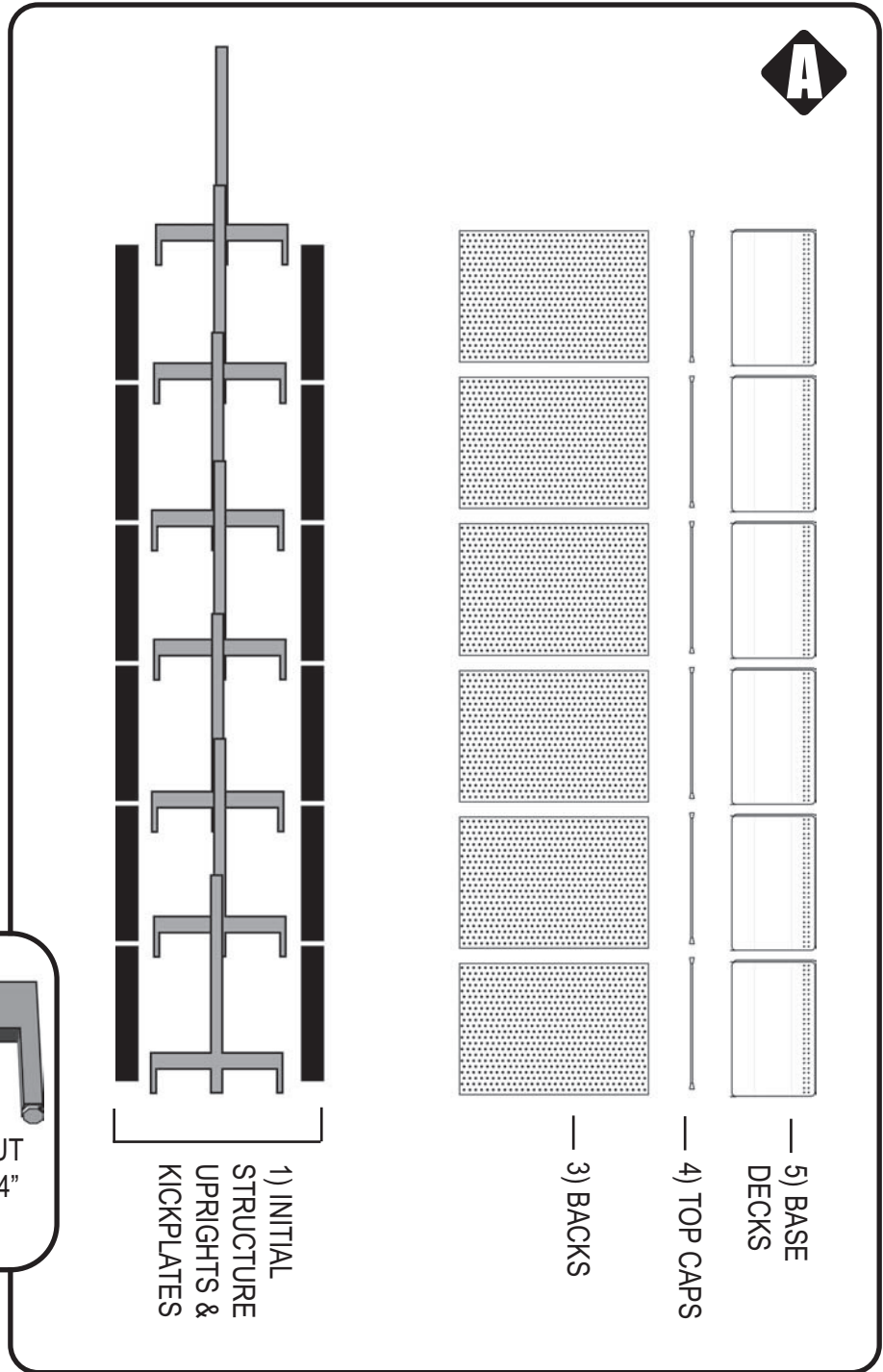
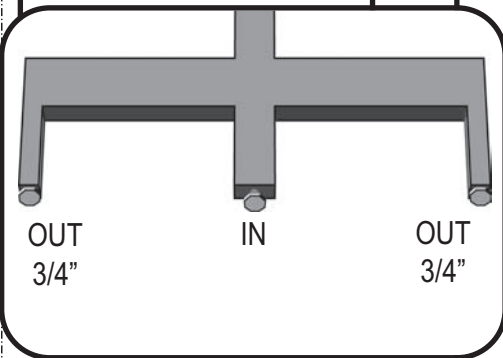
PREPARING FOR INSTALLATION

A

Since the structural system of the tubeline gondola consists of the uprights and the kickplates, it is necessary to assemble these first. It is helpful to lay out the uprights and kickplates for this initial set up as shown in figure A. A chalk line should be used as a guide for alignment of the run. Parts that follow to complete the run are shown in order of assembly in figure A.

!

At this time, it is recommended to run the center leveling legs almost completely in and run the outer legs out approximately 3/4". This will aid in leveling and plumbing the standing run.



TUBELINE SINGLE TRACK

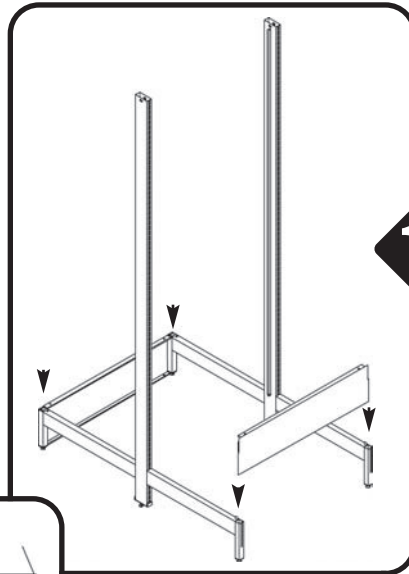
PAGE 3

ASY1-046

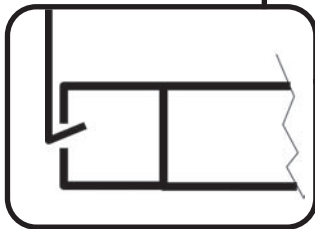
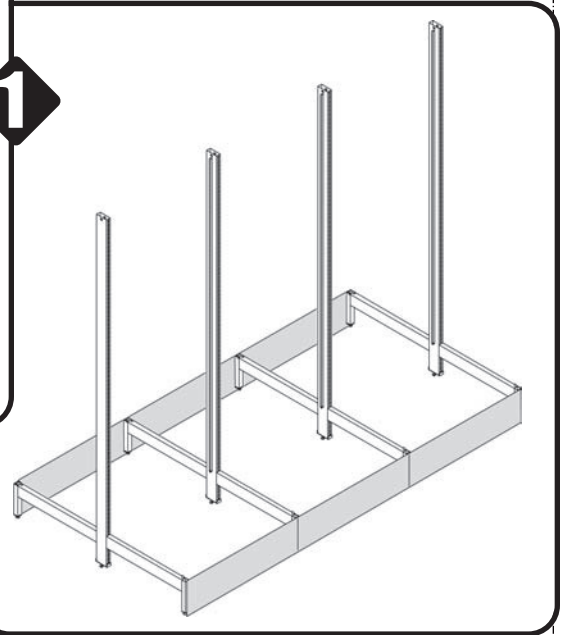
GONDOLA COUNTERS
KICKPLATES AND BACKS

1

First, while an assistant holds the uprights, install the kickplates into the channels of the upright legs. Note fit of kickplates as shown below.

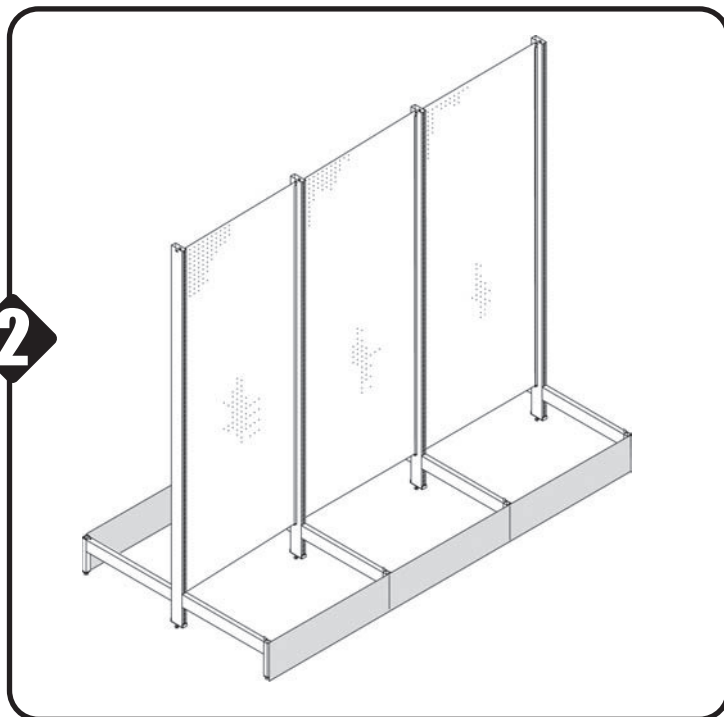


1



2

Next, with the help of an assistant, install the back panels into the single track channels of the uprights.



2

TUBELINE SINGLE TRACK

PAGE 4

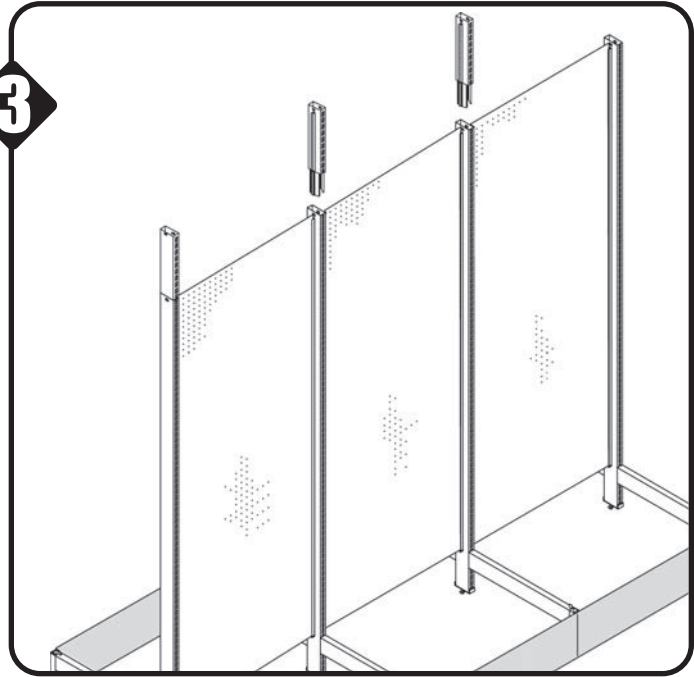
ASY1-046

GONDOLA COUNTERS
EXTENSIONS AND TOP CAPS

3

If upright extensions are used, install them into the tops of the uprights. Install back panel extensions once upright extensions are secured.

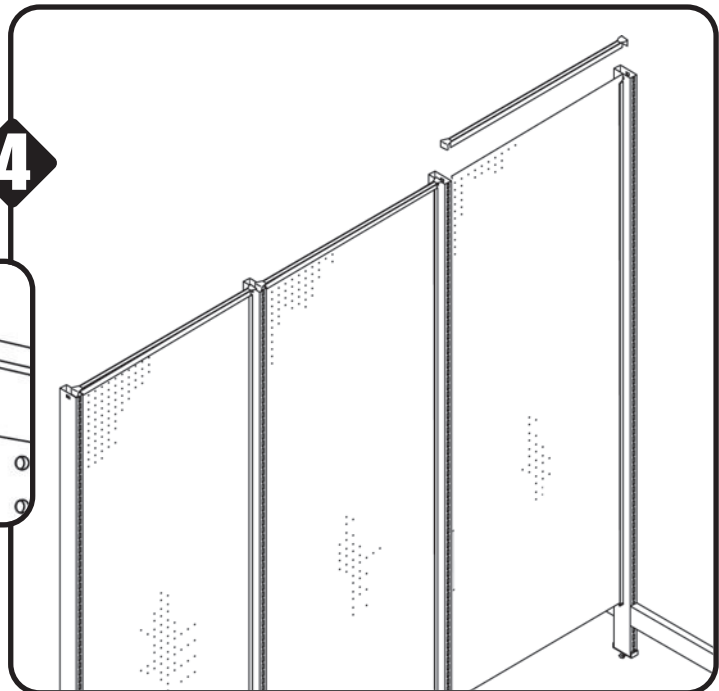
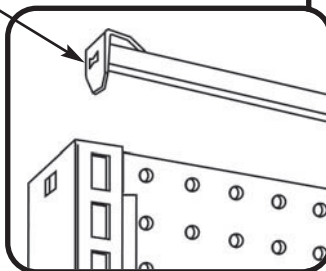
3



4

Next, install the top caps. Note that the protrusion on the top cap tab snaps securely into the hole in the upright.

4



TUBELINE SINGLE TRACK

PAGE 5

ASY1-046

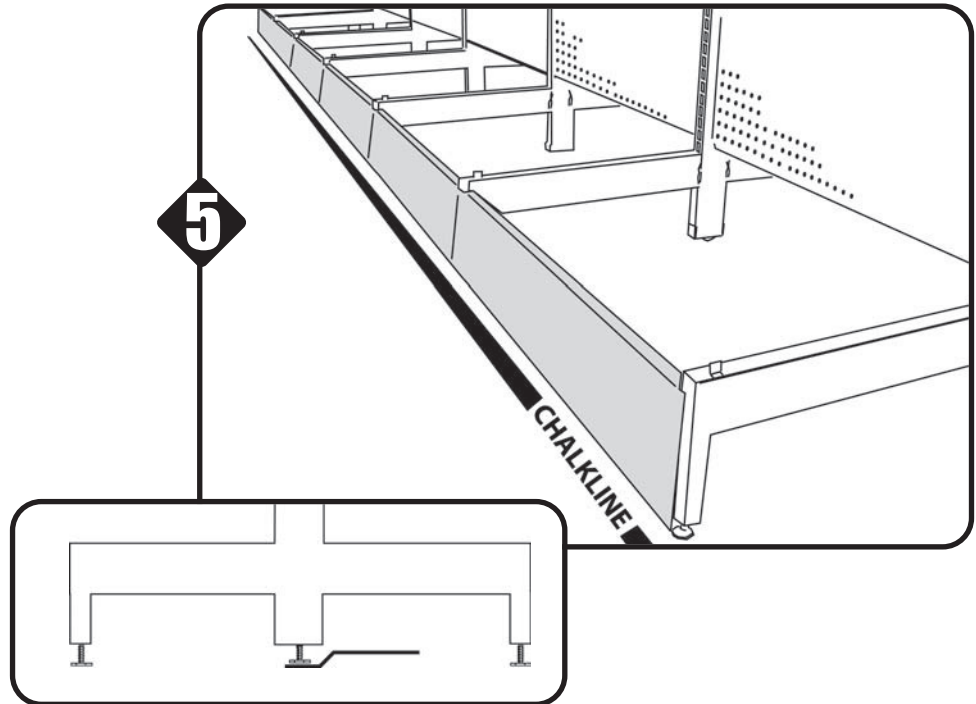
GONDOLA COUNTERS

GONDOLA ALIGNMENT AND DRESS KITS

5

Next, adjust uprights so that the entire run is in alignment with the chalk line. **NOTE: Recheck chalk line carefully for accuracy. Madix is not responsible for damages resulting from moving an assembled fixture.** Plumb by using a level on the face of each upright while adjusting the outer leveling legs. The center leveling leg of all uprights should be run out and left at a clearance of approximately 3/16", or the thickness of the leveler wrench.

5



6

Install dress kit on ends of counters. The two upper trim pieces will be secured in place by the side decks in the following step.

6

