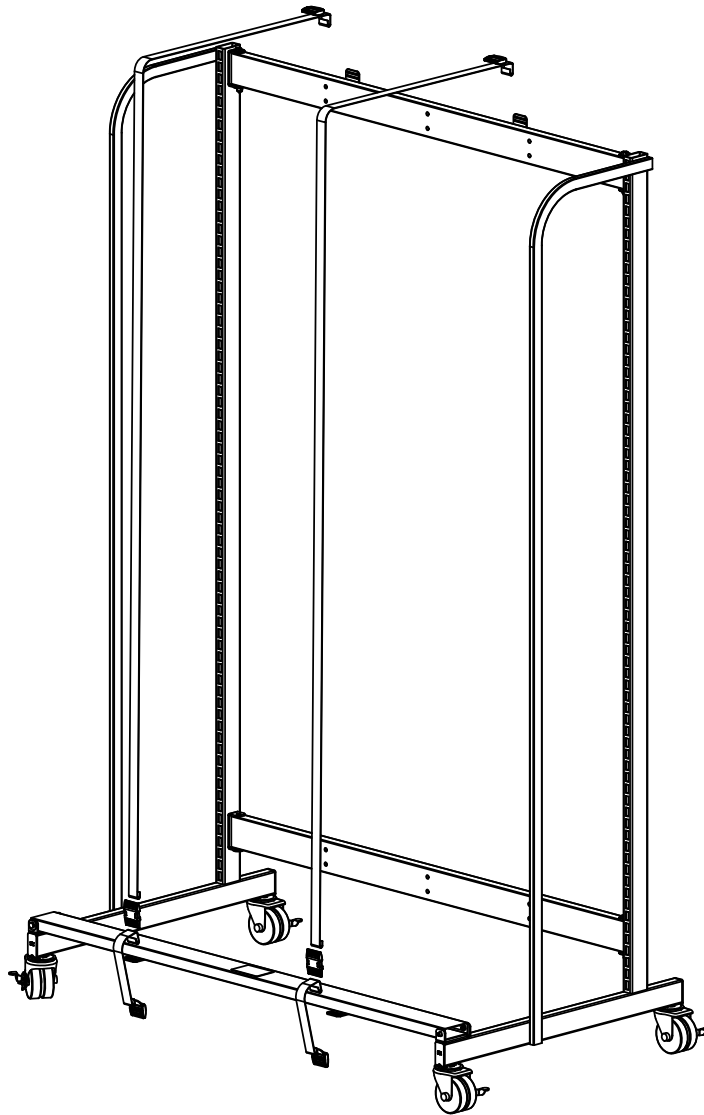


ASY FOR FOLDING SHELF CARRIAGE



NOTE: THIS PRODUCT IS NOT DESIGNED FOR MERCHANDISING PURPOSES. ONLY FOR SHELF STORAGE.

!!!!DO NOT MERCHANDISE!!!!

LOAD CAPACITY FOR SHELF CARRIAGE IS 500 LBS

***** ADDITIONAL CENTER UPRIGHTS CAN BE ORDERED SEPARATELY*****

SEE SHEET 4 FOR INSTRUCTIONS ON INSTALLING A MFSCAU (MADIX FOLDING SHELF CARRIAGE ADD-ON UPRIGHT)

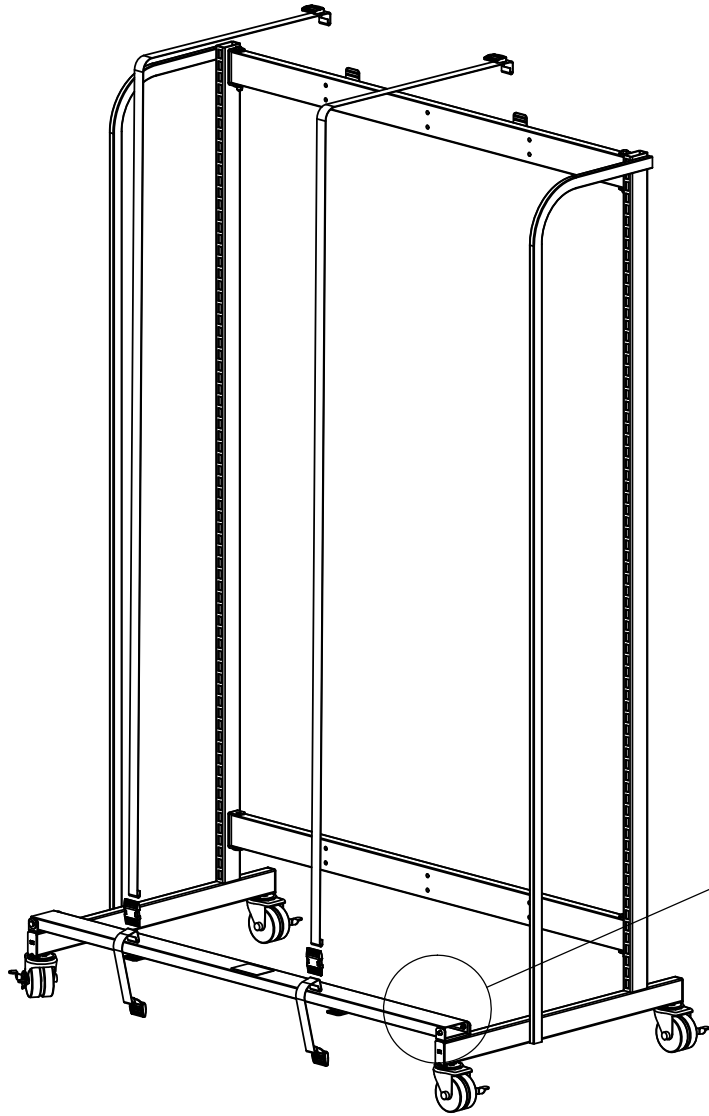
madix
ASY-80033199

P.O. BOX 729 TERRELL, TEXAS 75160
214-515-5400 / 800-776-2349

PAGE 1 OF 3 REV. 00

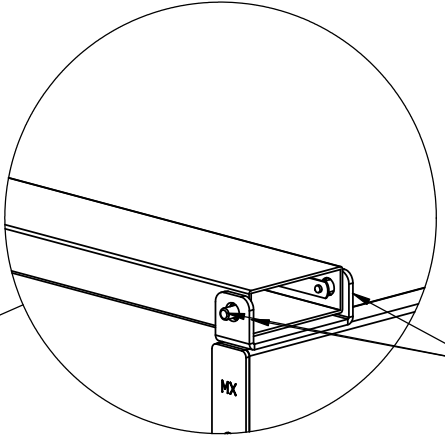
08/12/13 DRD ECM # 500000013334

ASY FOR FOLDING SHELF CARRIAGE



3) REPEAT STEP 2 FOR OTHER UPRIGHT.

4) SECURE FRONT CROSSMEMBER BY INSERTING SNAP BUTTON INTO CHANNEL OF SECOND UPRIGHT. SEE DETAIL "B"



DETAIL B
SCALE 1 : 4

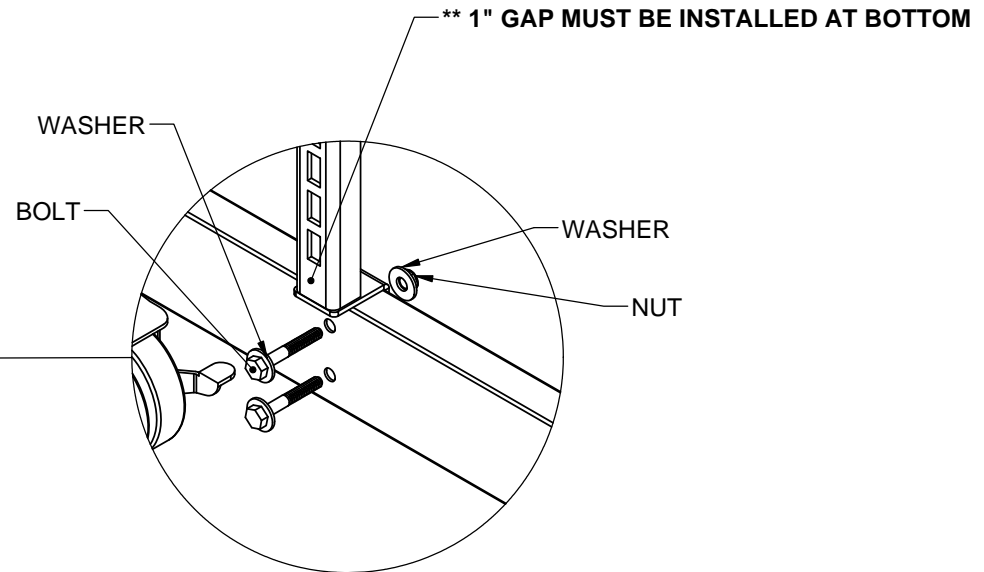
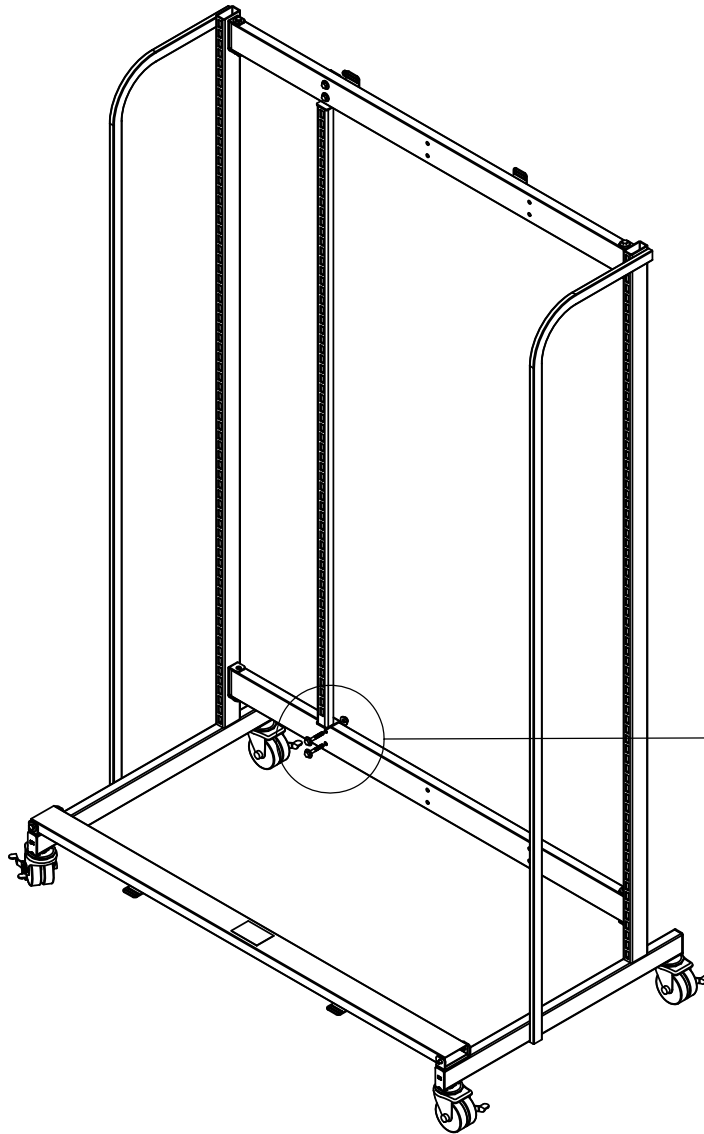
INSERT SNAP BUTTON INTO CHANNEL

madix
ASY-80033199
P.O. BOX 729 TERRELL, TEXAS 75160
214-515-5400 / 800-776-2349
PAGE 3 OF 3 REV. 00
08/12/13 DRD ECM # 500000013334

ASY FOR MFSCAU (ordered separately)

- 1) Line up MFSCAU with appropriate mounting holes.
- 2) Secure to top and bottom crossbars with provided hardware.
- 3) Make sure the 1" gap is at the bottom of the add-on upright. see below.

Mounting holes are punched in 6" increments to allow for 6", 12", 18", 24", 30" and 48" slot centerlines.



DETAIL C
SCALE 1 : 4

madix
ASY-80033199

P.O. BOX 729 TERRELL, TEXAS 75160
214-515-5400 / 800-776-2349

PAGE 3 OF 3 REV. 00
08/12/13 DRD ECM # 500000013334