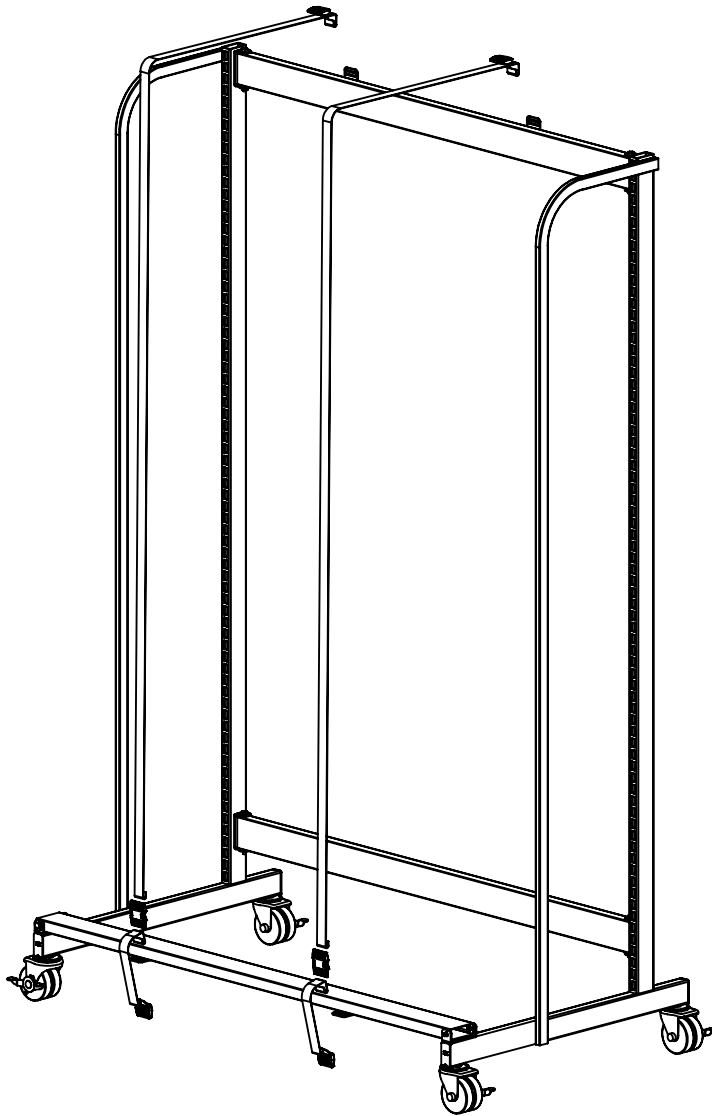


ASY FOR FOLDING SHELF CARRIAGE



***NOTE: THIS PRODUCT IS NOT DESIGNED FOR
MERCHANDISING PURPOSES. ONLY FOR SHELF
STORAGE.***

!!!!DO NOT MERCHANDISE!!!!

LOAD CAPACITY FOR SHELF CARRIAGE IS 500 LBS

madix
ASY-80033199

P.O. BOX 729 TERRELL, TEXAS 75160
214-515-5400 / 800-776-2349

PAGE 1 OF 3 REV. 00

08/12/13 DRD ECM # 500000013334

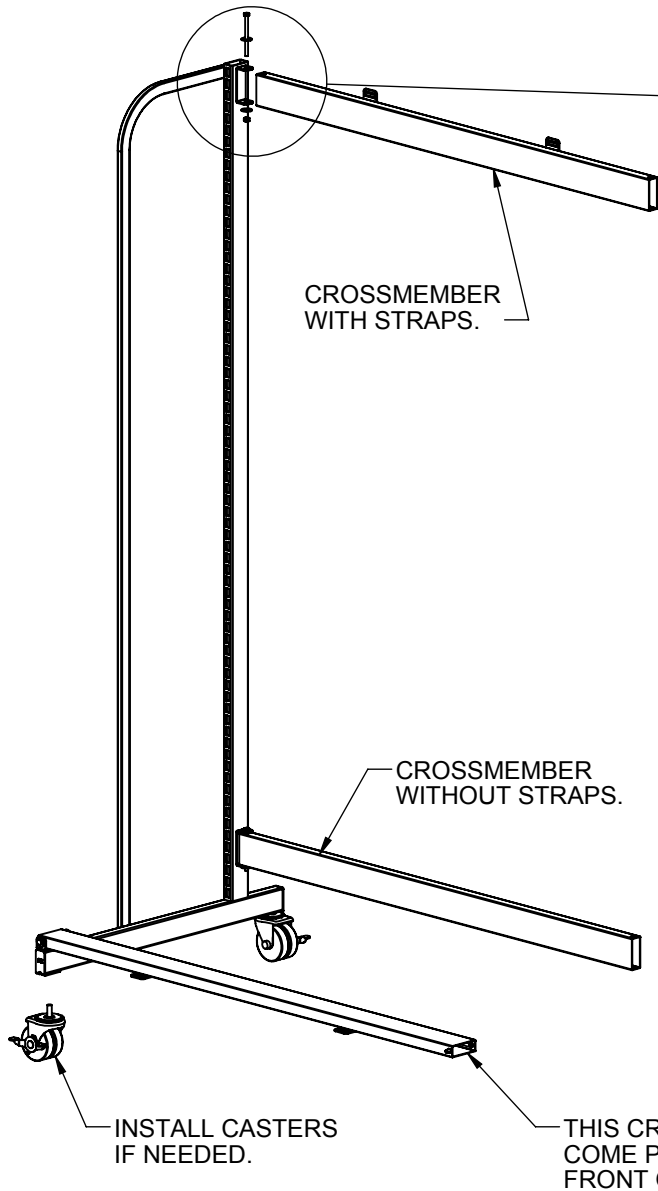
ASY FOR FOLDING SHELF CARRIAGE

D

C

B

A



- 1) INSTALL CASTERS (IF NOT ALREADY INSTALLED INTO BOTTOM OF EACH UPRIGHT
- 2) STAND UPRIGHT WITH FRONT CROSS MEMBER ALREADY PREASSEMBLED VERTICAL, IT WOULD HELP TO INSURE THAT CASTERS WERE LOCKED TO LIMIT UPRIGHT MOVEMENT, INSTALL BOTH CROSS MEMBERS TO UPRIGHTS USING BOLTS, WASHERS, AND NUTS PROVIDED. SEE DETAIL "A".

NOTE: MAKE SURE CROSSMEMBER WITH STRAPS IS INSTALLED AT TOP OF UPRIGHT.

madix
ASY-80033199

P.O. BOX 729 TERRELL, TEXAS 75160
214-515-5400 / 800-776-2349

PAGE 2 OF 3 REV. 00
08/12/13 DRD ECM # 500000013334

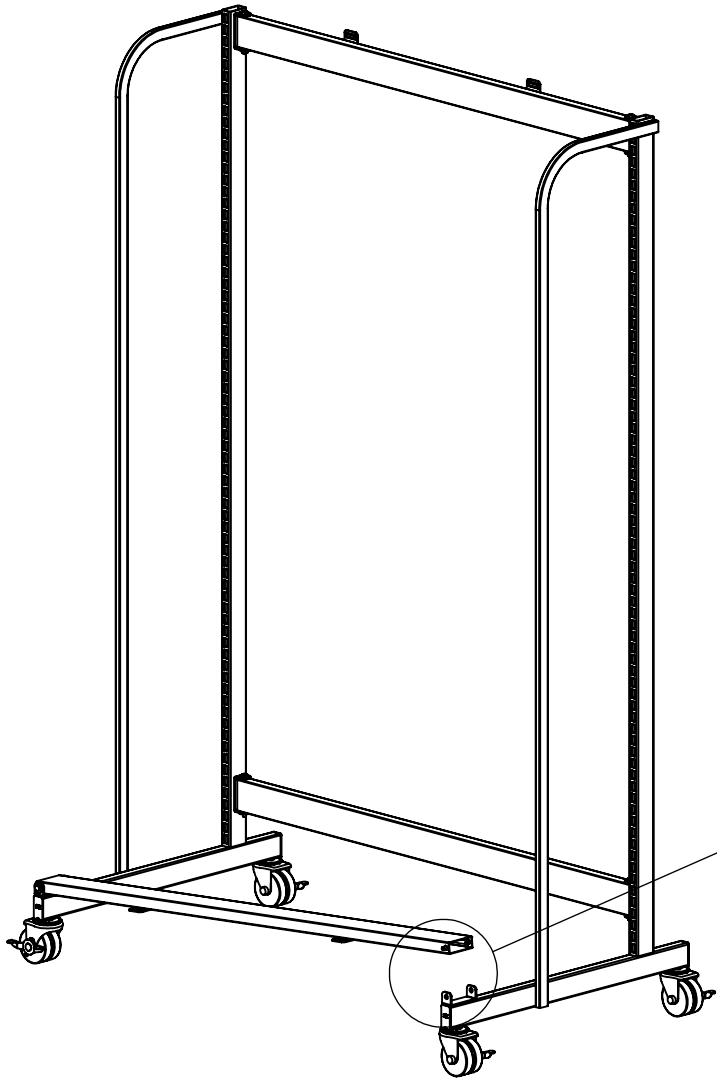
4

3

2

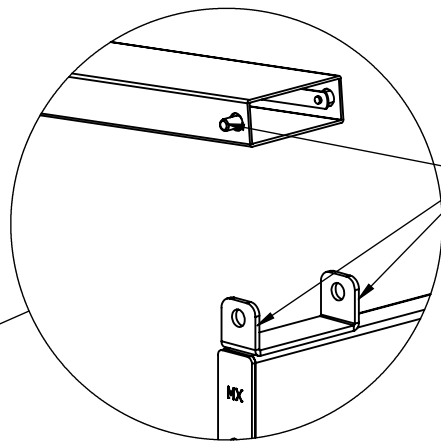
1

ASY FOR FOLDING SHELF CARRIAGE



3) REPEAT STEP 2 FOR OTHER UPRIGHT.

4) SECURE FRONT CROSSMEMBER BY INSERTING SNAP BUTTON INTO CHANNEL OF SECOND UPRIGHT. SEE DETAIL "B"



INSERT SNAP BUTTON INTO CHANNEL

DETAIL B
SCALE 1 : 4

madix ASY-80033199	
<small>P.O. BOX 729 TERRELL, TEXAS 75160 214-515-5400 / 800-776-2349</small>	
<small>PAGE 3 OF 3</small>	<small>REV. 00</small>
<small>08/12/13 DRD</small>	<small>ECM # 500000013334</small>