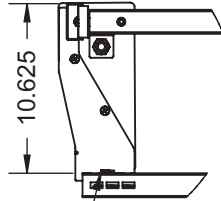


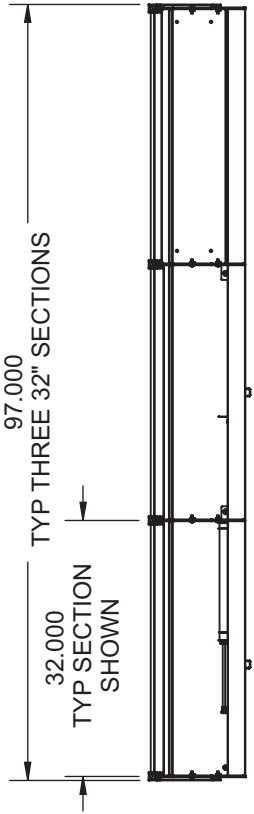
TUBULAR RX RETRO-FIT ROLLING FRAME

4 3 2 1

BRACKET LOCKING TAB
SEE PAGE 3

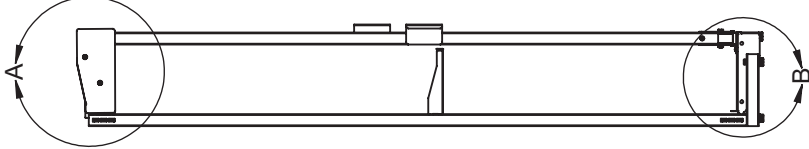


DETAIL A
SCALE 1 : 12



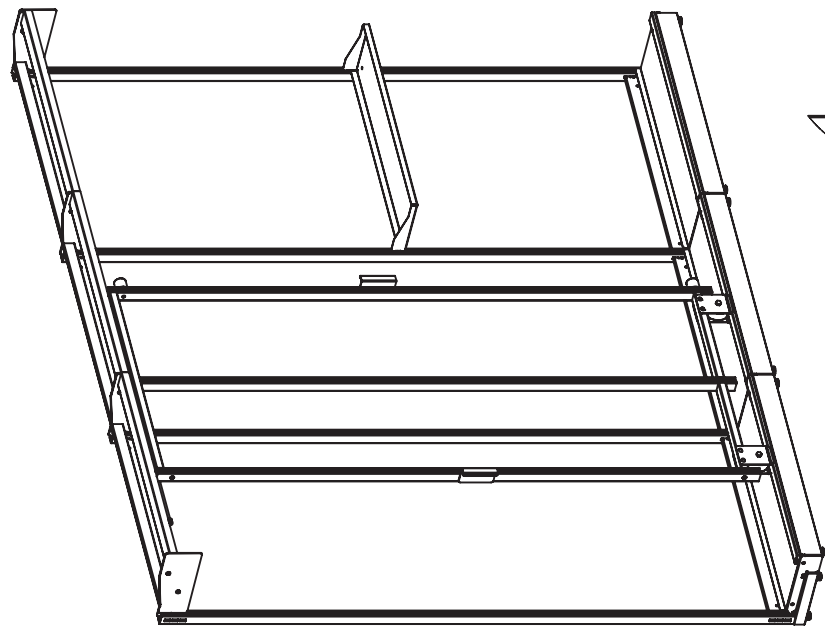
TOP VIEW

33.000
ROLLING
FRAME

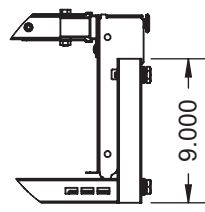


FRONT ELEVATION

SIDE ELEVATION



ASSEMBLED VIEW



DETAIL B
SCALE 1 : 12

RETROFIT SYSTEM IS DESIGNED TO USE WITH
EXISTING MADIX PHARMACY SHELVING.
FOR ROLLING FRAME TO FUNCTION PROPERLY,
WALL UPRIGHTS MUST BE ANCHORED TO WALL,
SEE ASY1-032, PAGE 5

Madix
ASY-80023075
P.O. BOX 729 TERRELL, TEXAS 75160
214-515-5400 / 800-776-2949
PAGE 1 OF 5 REV. 00
10/18/2010 KAL ECM # 50000008701

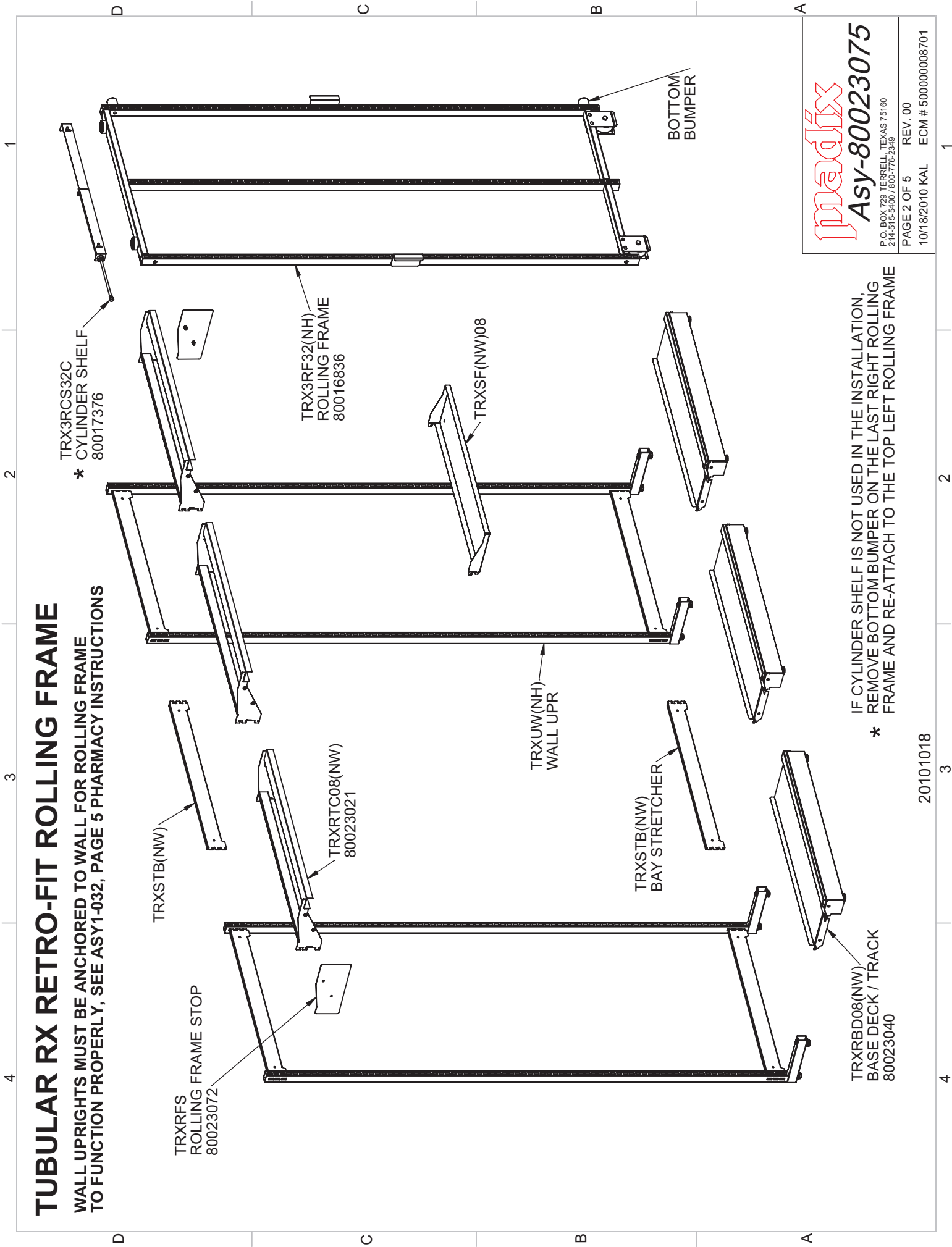


20101018

4 3 2 1

TUBULAR RX RETRO-FIT ROLLING FRAME

WALL UPRIGHTS MUST BE ANCHORED TO WALL FOR ROLLING FRAME TO FUNCTION PROPERLY, SEE ASY1-032, PAGE 5 PHARMACY INSTRUCTIONS

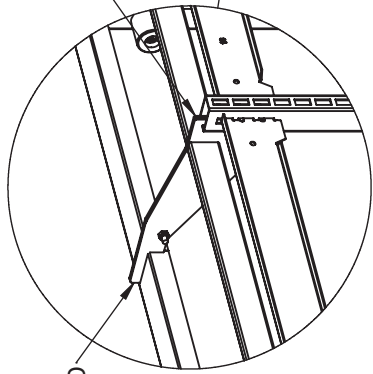


* IF CYLINDER SHELF IS NOT USED IN THE INSTALLATION, REMOVE BOTTOM BUMPER ON THE LAST RIGHT ROLLING FRAME AND RE-ATTACH TO THE TOP LEFT ROLLING FRAME

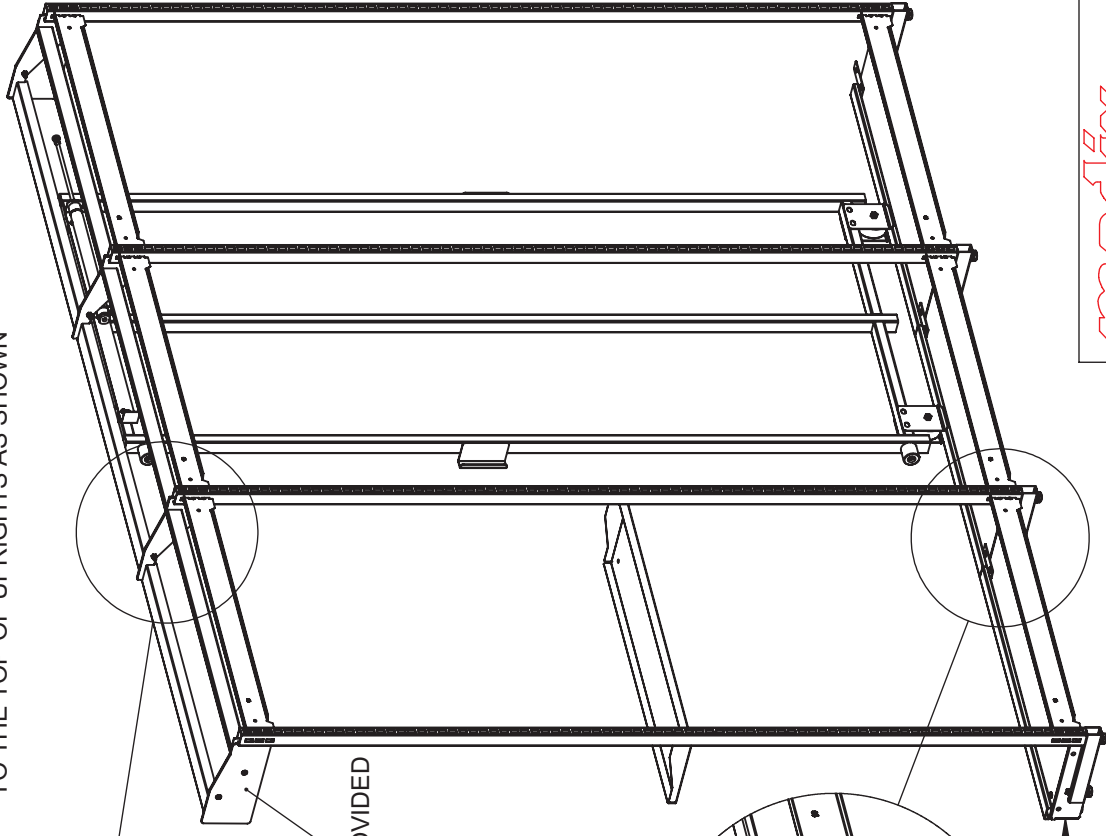
Madix
ASY-80023075
 P.O. BOX 729 TERRELL, TEXAS 75160
 214-515-5400 / 800-776-2946
 PAGE 2 OF 5 REV. 00
 10/18/2010 KAL ECM # 500000008701

TUBULAR RX RETRO-FIT ROLLING FRAME

FASTEN BRACKETS TOGETHER USING HARDWARE PROVIDED



HOOK TOP CHANNEL BRACKETS TO THE TOP OF UPRIGHTS AS SHOWN



! VERY IMPORTANT

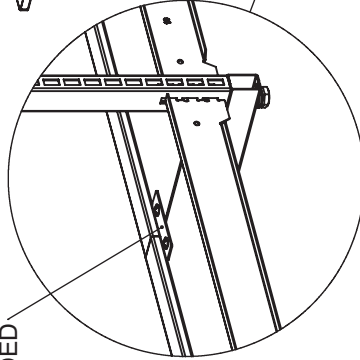
LOCKING TAB MUST BE ENGAGED TO PREVENT SHELF FROM ACCIDENTLY COMING UNHOOKED FROM UPRIGHT

BRACKET LOCKING TAB USE SCREW DRIVER TO BEND TAB INTO UPRIGHT



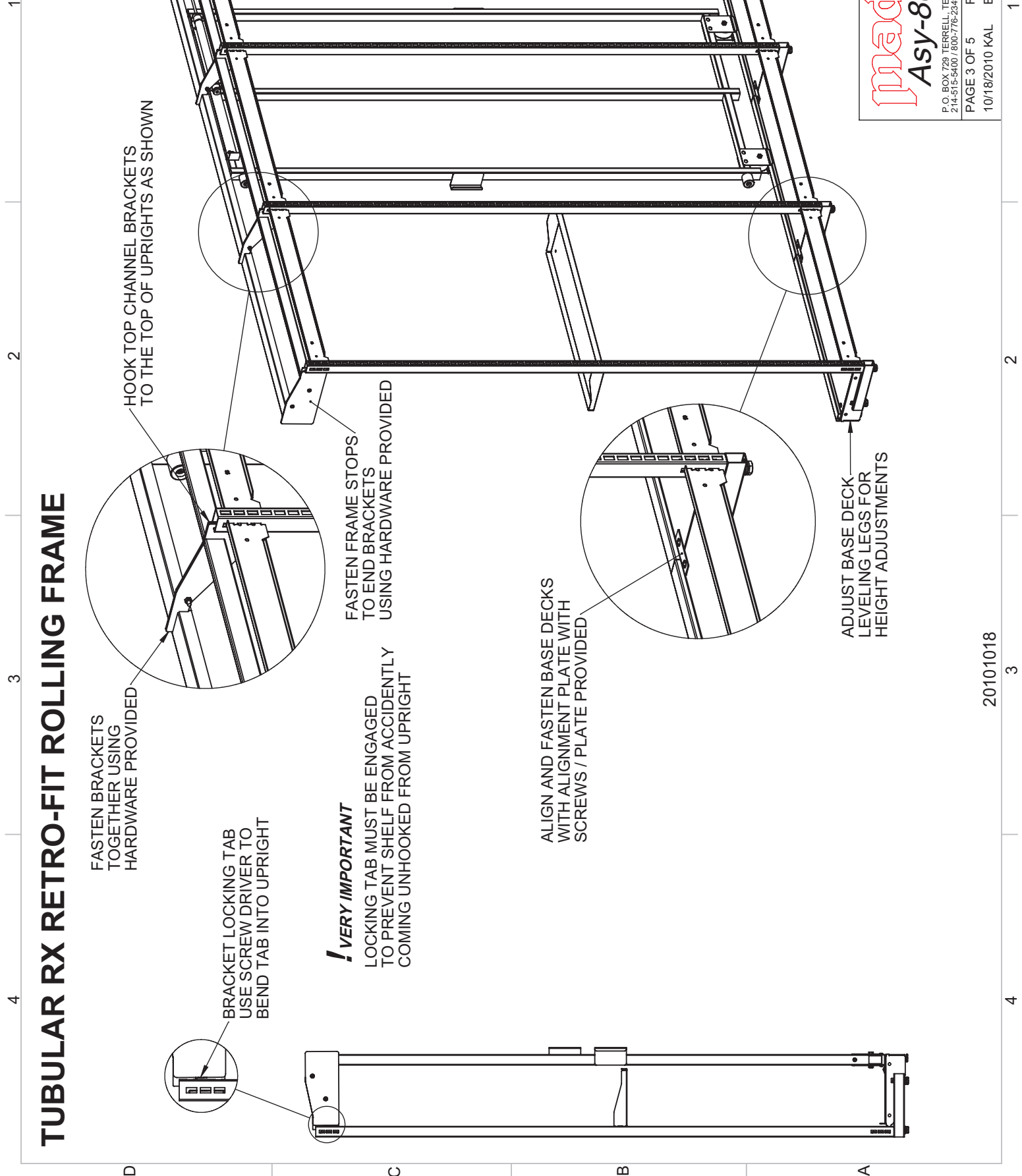
FASTEN FRAME STOPS TO END BRACKETS USING HARDWARE PROVIDED

ALIGN AND FASTEN BASE DECKS WITH ALIGNMENT PLATE WITH SCREWS / PLATE PROVIDED



ADJUST BASE DECK LEVELING LEGS FOR HEIGHT ADJUSTMENTS

Madix
Asy-80023075
 P.O. BOX 729 TERRELL, TEXAS 75160
 214-515-5400 / 800-776-2946
 PAGE 3 OF 5 REV. 00
 10/18/2010 KAL ECM # 500000008701



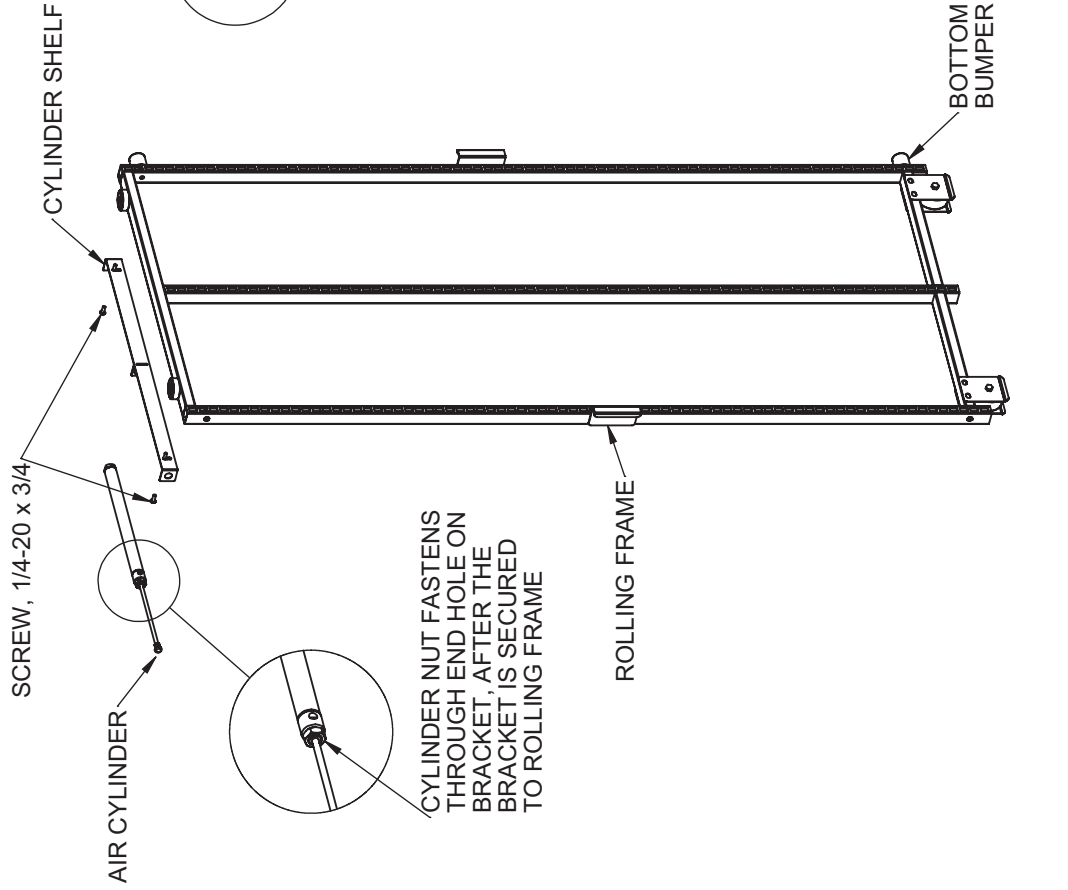
TUBULAR RX RETRO-FIT ROLLING FRAME

AIR CYLINDER COMPONENT IS OPTIONAL, IT MAY OR MAY NOT BE PART OF THE CYLINDER SHELF.

FASTEN CYLINDER SHELF / BRACKET AS FOLLOWS:

1. FASTEN BRACKET TO BACK - TOP OF ROLLING FRAME USING (2) SCREWS 1/4-20 x 3/4 FLUSH EDGE TO TOP OF ROLLING FRAME
2. TO REVERSE DIRECTION OF AIR CYLINDER ROTATE BRACKET UNTIL THE END HOLE IS ON THE DESIRED SIDE
3. AFTER BRACKET IS SECURED COMPLETE BY FASTENING AIR CYLINDER USING LARGE NUT AND BRACKET END HOLE

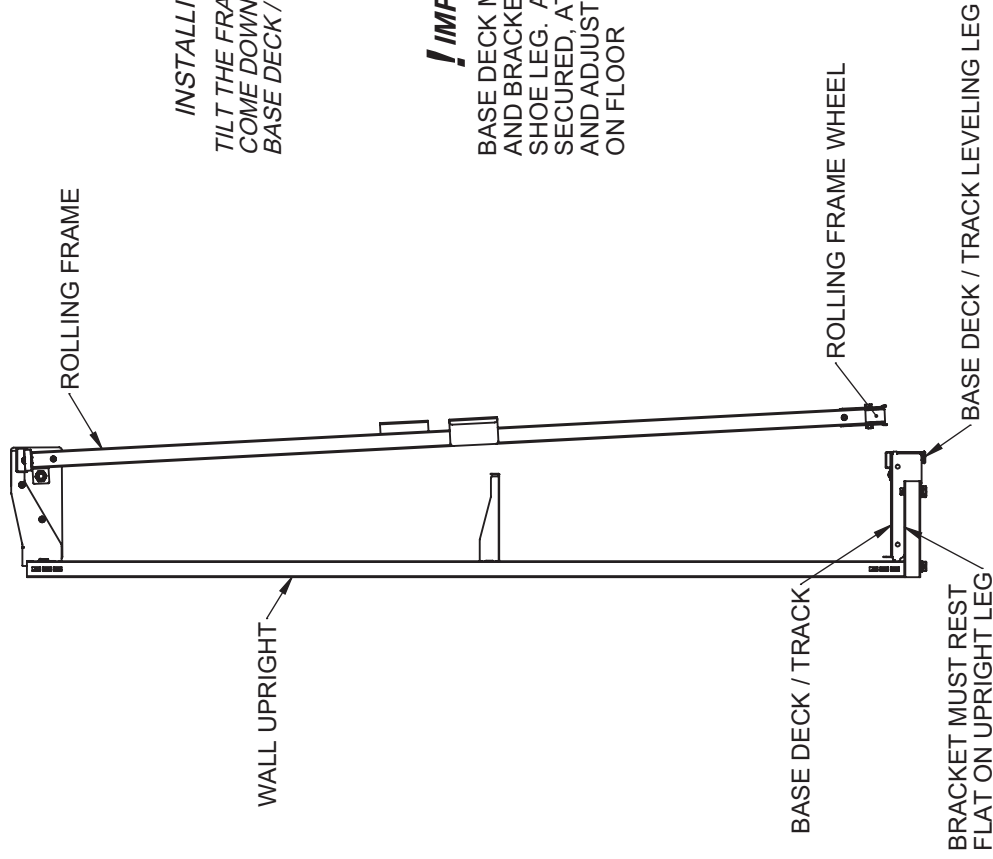
TO REVERSE DIRECTION OF CYLINDER TURN BRACKET OVER SO THE END HOLE IS ON THE DESIRED END



IF CYLINDER SHELF IS NOT USED IN THE INSTALLATION, REMOVE BOTTOM BUMPER ON THE LAST RIGHT ROLLING FRAME AND RE-ATTACH TO THE TOP LEFT ROLLING FRAME

Madix
Asy-80023075
 P.O. BOX 729 TERRELL, TEXAS 75160
 214-515-5400 / 800-776-2346
 PAGE 4 OF 5 REV. 00
 10/18/2010 KAL ECM # 500000008701

TUBULAR RX RETRO-FIT ROLLING FRAME



INSTALLING ROLLING FRAME:

TILT THE FRAME INTO THE TOP CHANNEL THEN COME DOWN AND POSITION THE WHEELS ON THE BASE DECK / TRACK

! IMPORTANT

BASE DECK MUST BE SECURED TO UPRIGHT AND BRACKETS MUST REST FLAT ON UPRIGHT SHOE LEG. AFTER THE DECK IS PROPERLY SECURED, ATTACH ALIGNMENT PLATE (SEE PAGE 3) AND ADJUST THE LEVELING LEG UNTIL THEY REST ON FLOOR

Madix Asy-80023075	
P.O. BOX 729 TERRELL, TEXAS 75160 214-515-5400 / 800-776-2346	
PAGE 4 OF 4	REV. 00
10/18/2010 KAL	ECM # 500000008701

