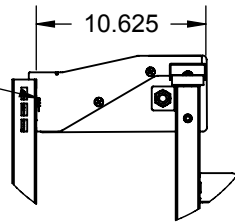
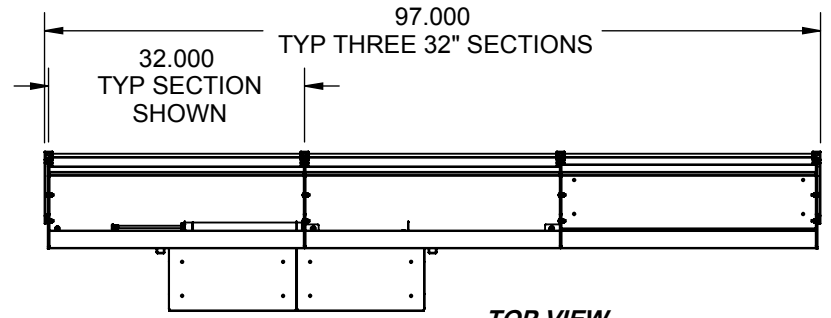


TUBULAR RX RETRO-FIT ROLLING FRAME

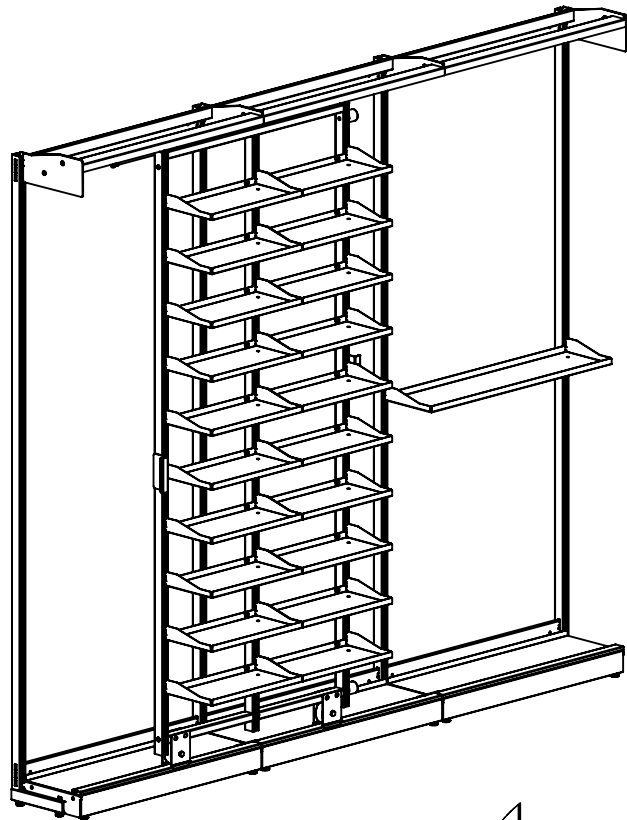
BRACKET LOCKING TAB
SEE PAGE 3



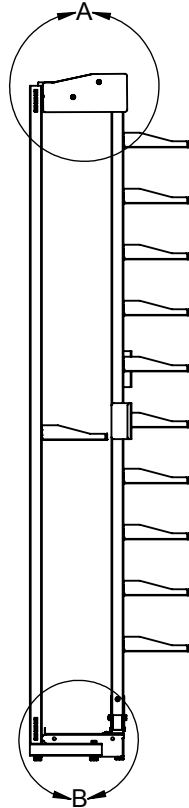
DETAIL A
SCALE 1 : 12



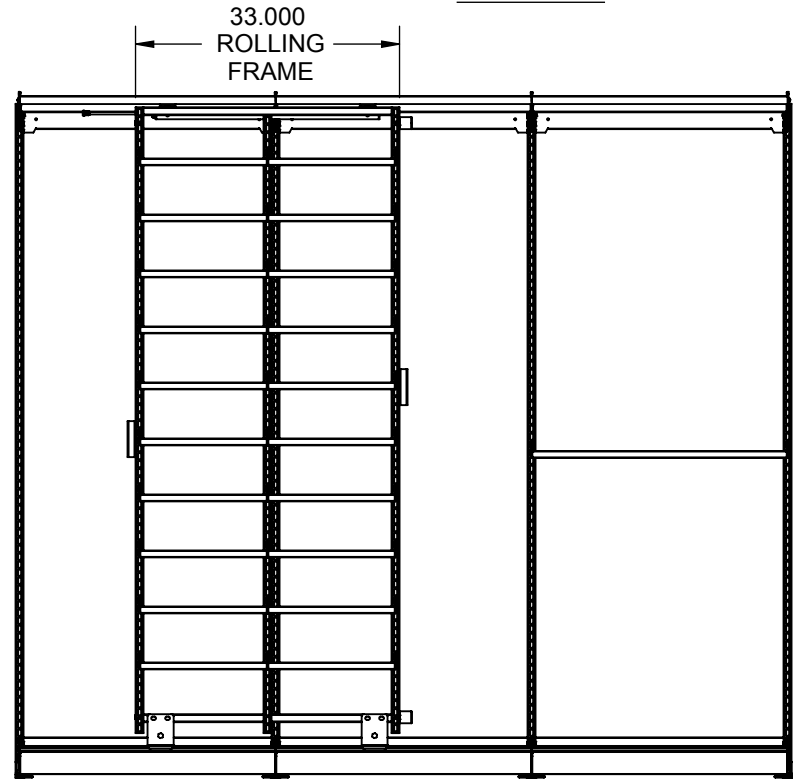
TOP VIEW



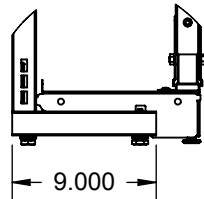
ASSEMBLED VIEW



SIDE ELEVATION



FRONT ELEVATION



DETAIL B
SCALE 1 : 12



RETROFIT SYSTEM IS DESIGNED TO USE WITH
EXISTING MADIX PHARMACY SHELVING.
FOR ROLLING FRAME TO FUNCTION PROPERLY
WALL UPRIGHTS MUST BE ANCHORED TO WALL,
SEE ASY1-032, PAGE 5

madix
Asy-80023075

P.O. BOX 729 TERRELL, TEXAS 75160
214-515-5400 / 800-776-2349

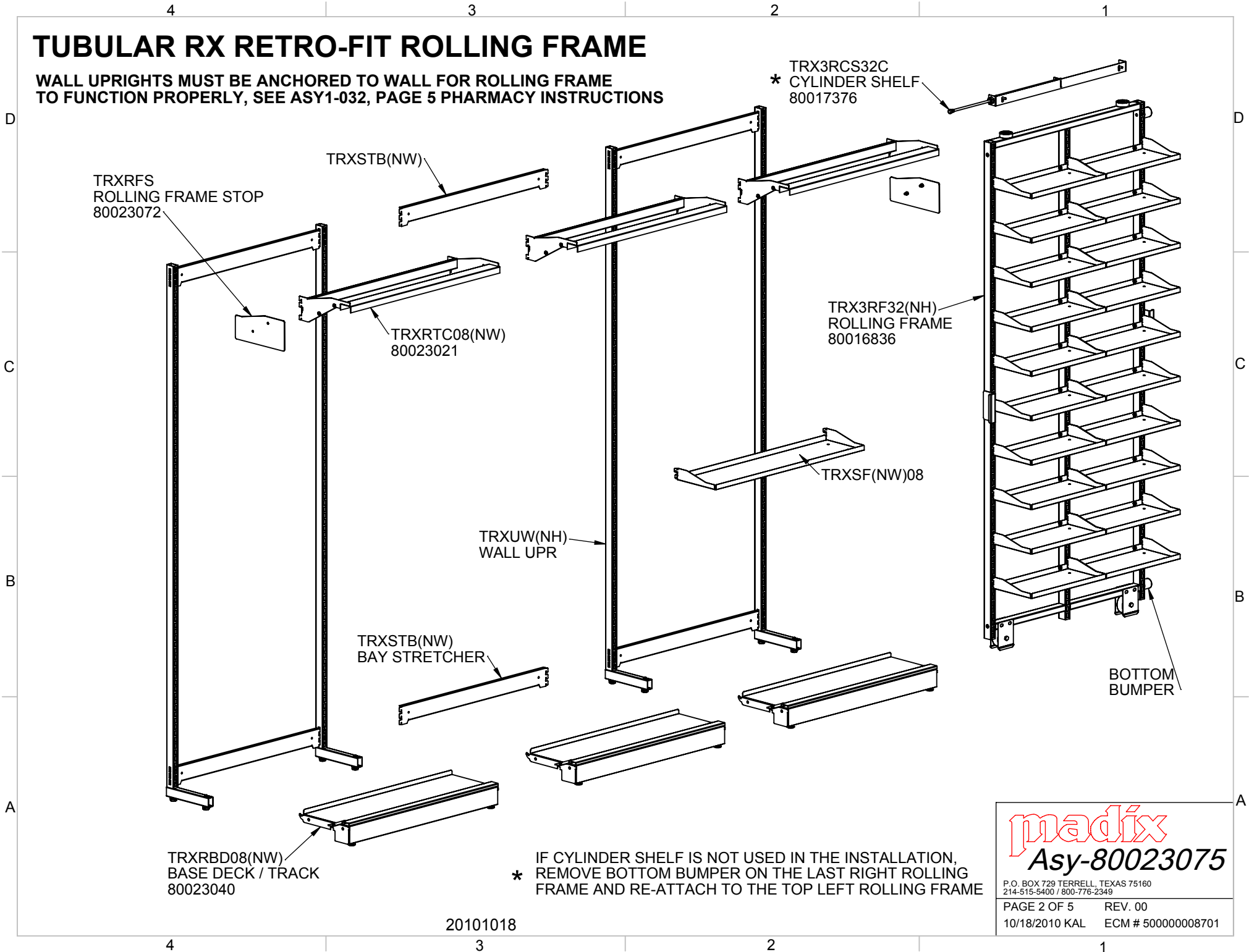
PAGE 1 OF 5 REV. 00

10/18/2010 KAL ECM # 500000008701

20101018

TUBULAR RX RETRO-FIT ROLLING FRAME

WALL UPRIGHTS MUST BE ANCHORED TO WALL FOR ROLLING FRAME TO FUNCTION PROPERLY, SEE ASY1-032, PAGE 5 PHARMACY INSTRUCTIONS



* IF CYLINDER SHELF IS NOT USED IN THE INSTALLATION, REMOVE BOTTOM BUMPER ON THE LAST RIGHT ROLLING FRAME AND RE-ATTACH TO THE TOP LEFT ROLLING FRAME

madix
Asy-80023075
 P.O. BOX 729 TERRELL, TEXAS 75160
 214-515-5400 / 800-776-2349
 PAGE 2 OF 5 REV. 00
 10/18/2010 KAL ECM # 500000008701

TUBULAR RX RETRO-FIT ROLLING FRAME

FASTEN BRACKETS TOGETHER USING HARDWARE PROVIDED

HOOK TOP CHANNEL BRACKETS TO THE TOP OF UPRIGHTS AS SHOWN

BRACKET LOCKING TAB USE SCREW DRIVER TO BEND TAB INTO UPRIGHT

!VERY IMPORTANT
 LOCKING TAB MUST BE ENGAGED TO PREVENT SHELF FROM ACCIDENTLY COMING UNHOOKED FROM UPRIGHT

FASTEN FRAME STOPS TO END BRACKETS USING HARDWARE PROVIDED

ALIGN AND FASTEN BASE DECKS WITH ALIGNMENT PLATE WITH SCREWS / PLATE PROVIDED

ADJUST BASE DECK LEVELING LEGS FOR HEIGHT ADJUSTMENTS

madix
Asy-80023075

P.O. BOX 729 TERRELL, TEXAS 75160
 214-515-5400 / 800-776-2349

PAGE 3 OF 5 REV. 00

10/18/2010 KAL ECM # 500000008701

20101018

D

C

B

A

D

C

B

A

4

3

2

1

4

3

2

1

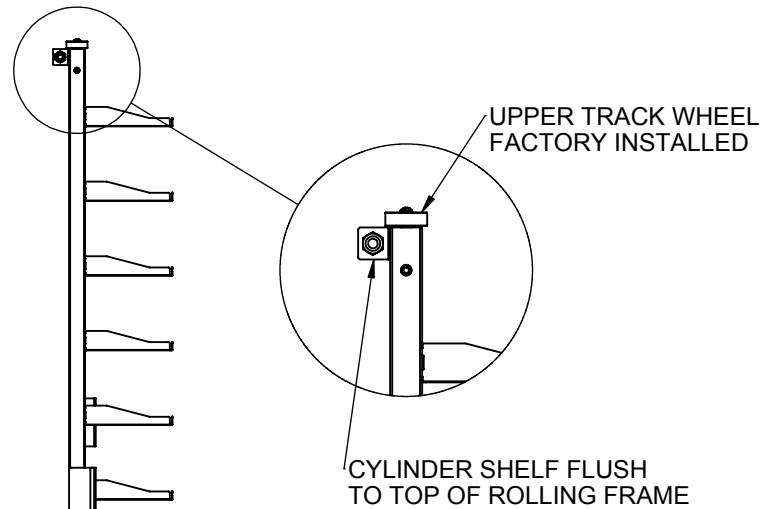
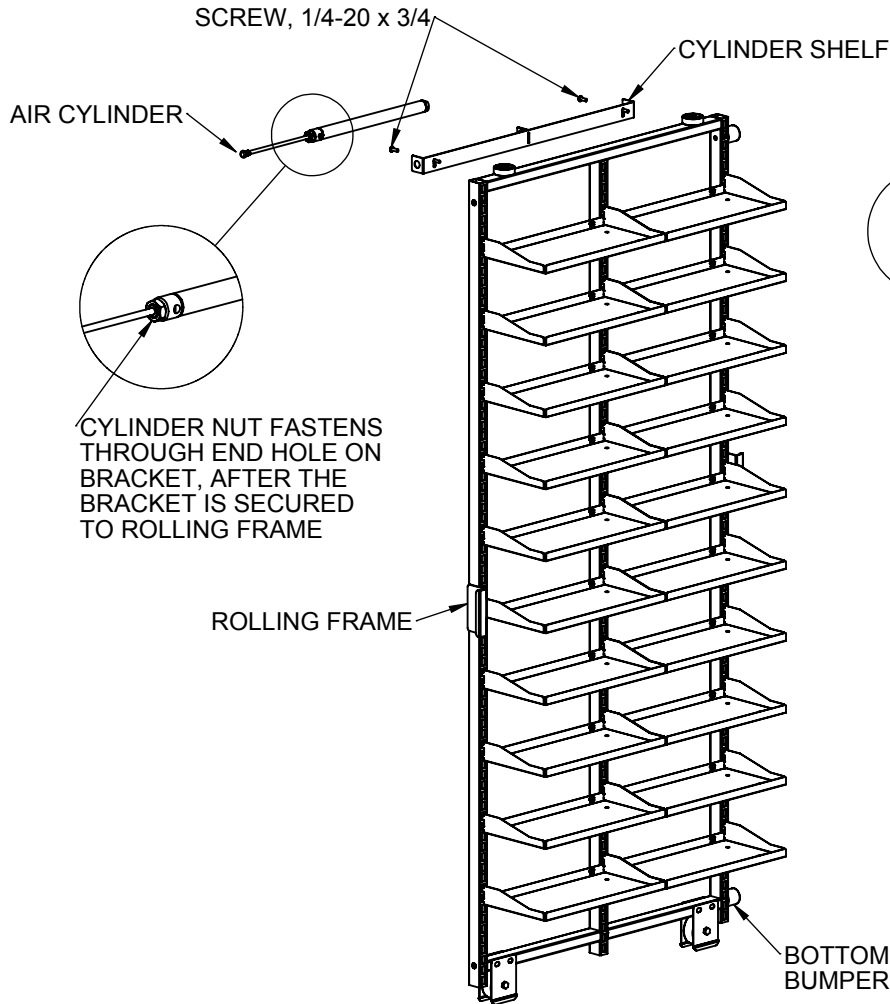
TUBULAR RX RETRO-FIT ROLLING FRAME

AIR CYLINDER COMPONENT IS OPTIONAL,
IT MAY OR MAY NOT BE PART OF THE
CYLINDER SHELF.

FASTEN CYLINDER SHELF / BRACKET AS FOLLOWS:

1. FASTEN BRACKET TO BACK - TOP OF ROLLING FRAME USING (2) SCREWS 1/4-20 x 3/4 FLUSH EDGE TO TOP OF ROLLING FRAME
2. TO REVERSE DIRECTION OF AIR CYLINDER ROTATE BRACKET UNTIL THE END HOLE IS ON THE DESIRED SIDE AFTER BRACKET IS SECURED COMPLETE BY FASTENING AIR CYLINDER USING LARGE NUT AND BRACKET END HOLE

TO REVERSE DIRECTION OF CYLINDER
TURN BRACKET OVER SO THE END
HOLE IS ON THE DESIRED END



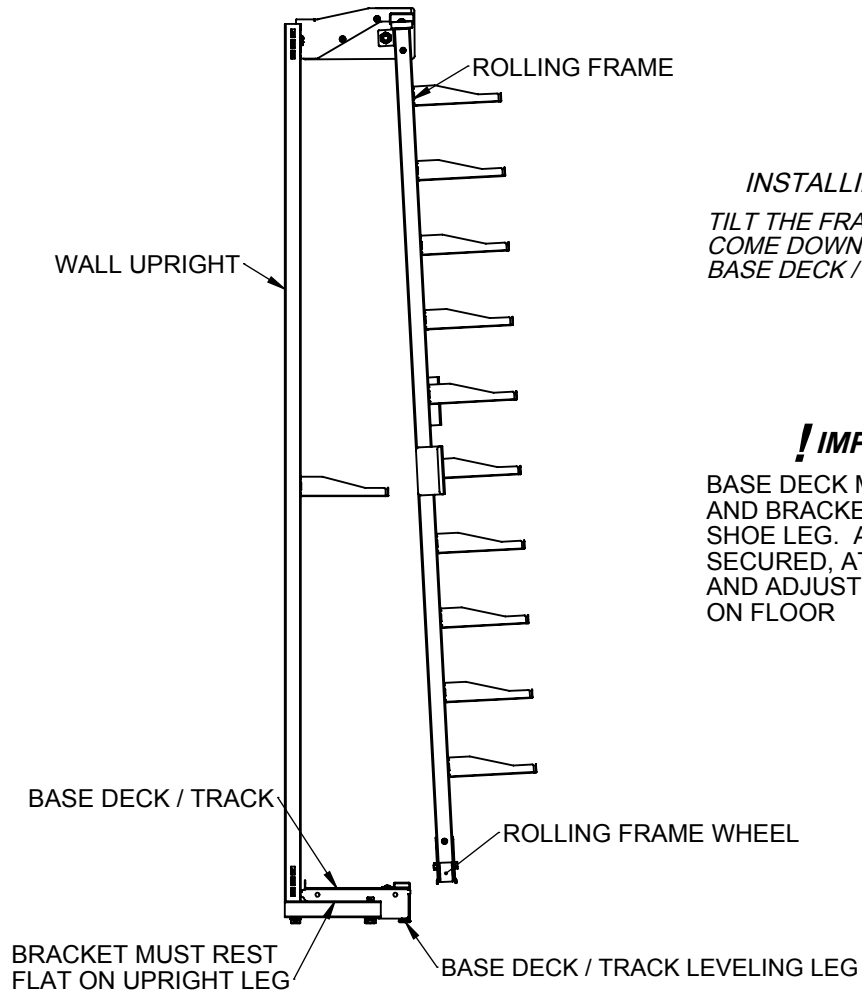
IF CYLINDER SHELF IS NOT USED IN THE INSTALLATION,
REMOVE BOTTOM BUMPER ON THE LAST RIGHT ROLLING FRAME AND RE-ATTACH TO THE TOP LEFT ROLLING FRAME

madix
Asy-80023075

P.O. BOX 729 TERRELL, TEXAS 75160
214-515-5400 / 800-776-2349

PAGE 4 OF 5 REV. 00
10/18/2010 KAL ECM # 500000008701

TUBULAR RX RETRO-FIT ROLLING FRAME



INSTALLING ROLLING FRAME:
*TILT THE FRAME INTO THE TOP CHANNEL THEN
COME DOWN AND POSITION THE WHEELS ON THE
BASE DECK / TRACK*

! IMPORTANT
BASE DECK MUST BE SECURED TO UPRIGHT
AND BRACKETS MUST REST FLAT ON UPRIGHT
SHOE LEG. AFTER THE DECK IS PROPERLY
SECURED, ATTACH ALIGNMENT PLATE (SEE PAGE 3)
AND ADJUST THE LEVELING LEG UNTIL THEY REST
ON FLOOR