

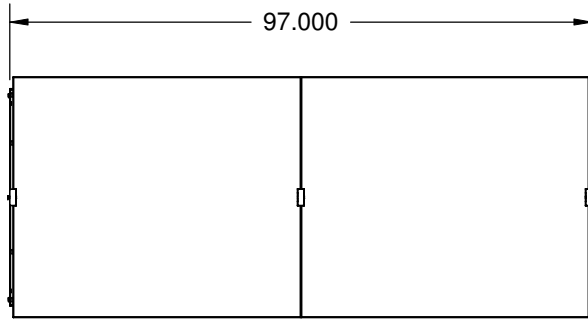
TUBELINE FURNITURE DISPLAY

**LOAD CAPACITY PER 48" SECTION EQUAL TO 500 LBS
OR ONE DECK LOAD CAPACITY EQUAL TO 250 LBS**

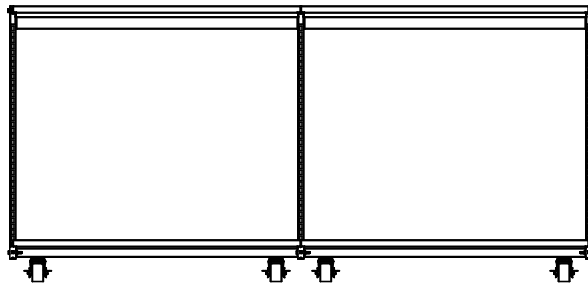
03

| REV. | DESCRIPTION | DATE |
|------|---|-----------|
| 01 | ADDED INSTRUCTIONS TO FASTEN UPPER DECKS W/ HWD | 1/23/2009 |
| 02 | UPDATE ASY WITH PICTURE ILLUSTRATIONS | 7/17/2009 |
| 03 | ADDED LOAD CAPACITY | 8/5/2010 |

TYPICAL (2) 48" SECTIONS SHOWN, LENGTHS MAY VARY PER ORDER

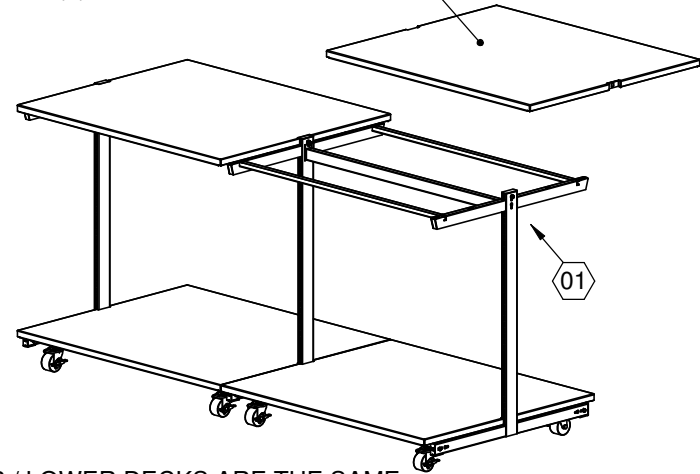


TOP VIEW

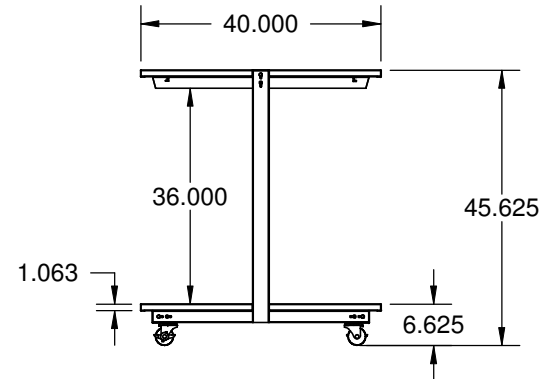


FRONT ELEVATION VIEW

TLFDD4845 FURNITURE DECK
(2) REQUIRED EA SECTION



UPPER / LOWER DECKS ARE THE SAME



END ELEVATION VIEW

02

madix
Asy-80015550

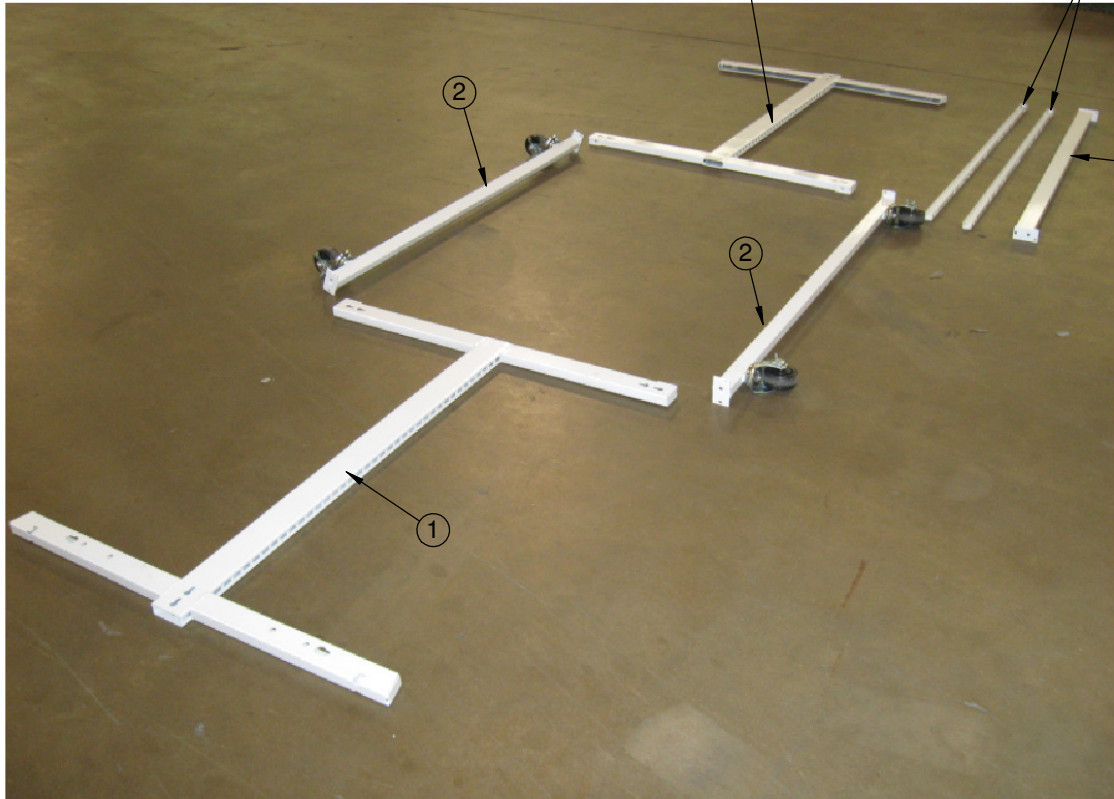
P.O. BOX 729 TERRELL, TEXAS 75160
214-515-5400 / 800-776-2349

PAGE 1 OF 4 REV. 03

08/05/2010 KAL ECM # 500000008504

20100805

TUBELINE FURNITURE DISPLAY



MADIX PART NUMBERS

1. UPRIGHT TLFDU422020-SW
2. TIE BAR W/ CASTER TLFDTB48-SW
3. TOP TIE BAR TLTRTAZ48-SW
4. DECK SUPPORT TLFDDS48-SW
5. FURNITURE DECK TLFDD4840-XX032-SW

madix
Asy-80015550

P.O. BOX 729 TERRELL, TEXAS 75160
214-515-5400 / 800-776-2349

PAGE 2 OF 4 REV. 03

08/05/2010 KAL ECM # 500000008504

20100805

TUBELINE FURNITURE DISPLAY

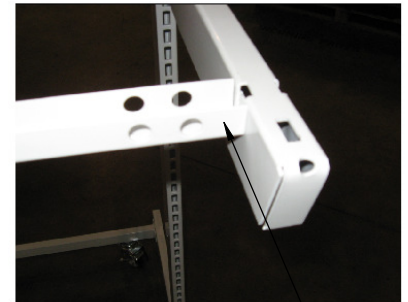
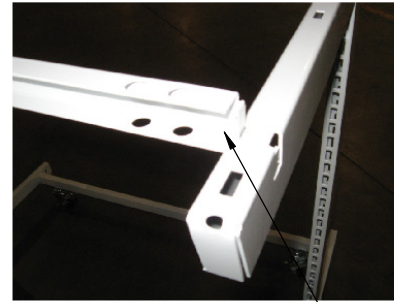
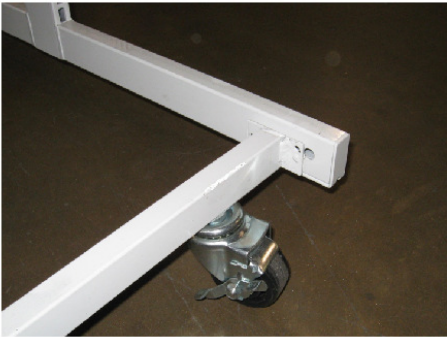
SAFETY HARDWARE:
CAP SCREW 5/16-18 X 2"
AND NUT, ELASTIC
STOP 5/16-18

DECK SUPPORTS ARE INSTALLED BY
INSERTING THE ENDS IN THE UPRIGHT
NOTCHES AND TWISTING UNTIL THE
OPEN CHANNEL ARE UP

SAFETY SCREW & NUT
FASTENED AFTER
ENGAGING TIE BARS
IN KEY SLOTTING

TYP KEY SLOTTING (3) PLCS

SAFETY HARDWARE MUST
BE INSTALLED FOR PROPER
DISPLAY INSTALLATION



STEP BY STEP INSTALLATION

1. ALIGN TIE BARS TOP AND BOTTOM WITH UPRIGHT KEY SLOTTING AND SET INTO POSITION WITH RUBBER HAMMER.
2. DECK SUPPORTS TWIST & LOCK INTO THE UPRIGHT RAIL NOTCES UNTIL THE CHANNELS ARE SEATED

INSERT DECK SUPPORT
WITHIN UPRIGHT NOTCH

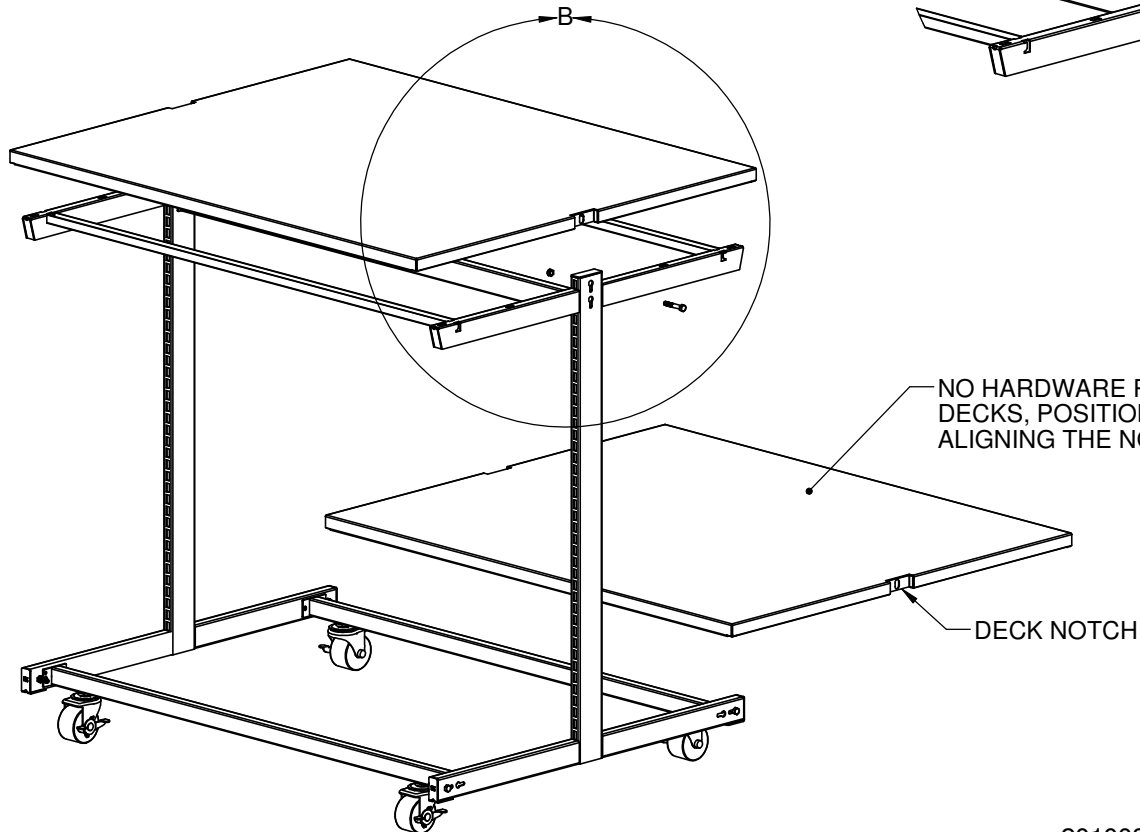
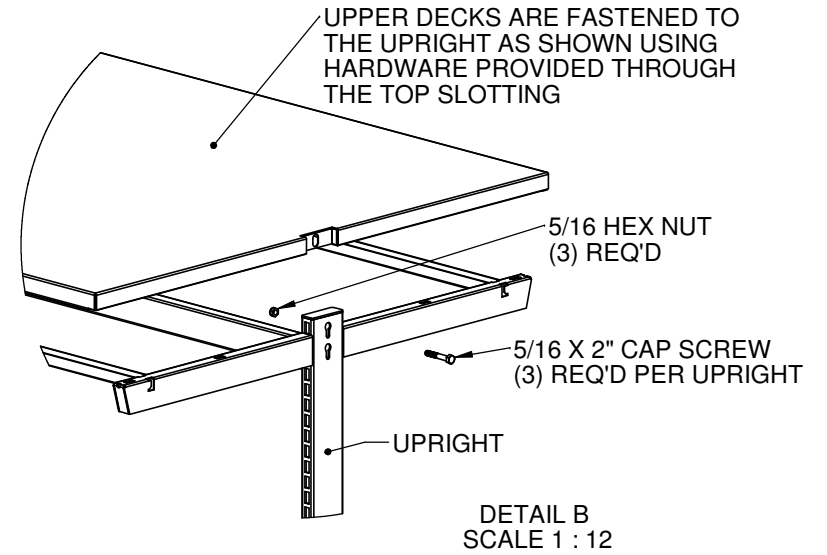
TWIST - LOCKING DECK
SUPPORT INTO PLACE

madix
Asy-80015550
P.O. BOX 729 TERRELL, TEXAS 75160
214-515-5400 / 800-776-2349
PAGE 3 OF 4 REV. 03
08/05/2010 KAL ECM # 500000008504

TUBELINE FURNITURE DISPLAY

STEP BY STEP INSTALLATION

1. ONCE THE TIE BARS ARE PROPERLY ENGAGED, INSTALL UPPER DECKS AND FASTEN WITH SCREWS AND NUTS. THIS IS A SAFETY SCREW, THEY MUST BE IN PLACE, TO PROPERLY LOCK THE SYSTEM. ONE SCREW AT THE TOP AND TWO AT THE BOTTOM.
2. DECKS ARE PLACED ON TOP OF UPRIGHT RAILS, THE DECK NOTCHES STRADLES THE UPRIGHT, LOCKING INTO POSITION



madix
Asy-80015550

P.O. BOX 729 TERRELL, TEXAS 75160
214-515-5400 / 800-776-2349

PAGE 4 OF 4 REV. 03
08/05/2010 KAL ECM # 500000008504

20100805