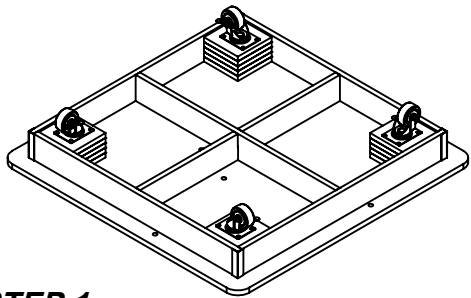
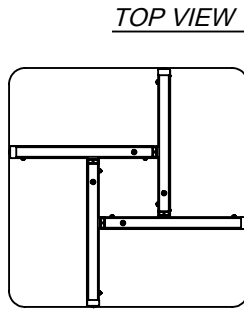


REV.	DESCRIPTION	DATE
2		1



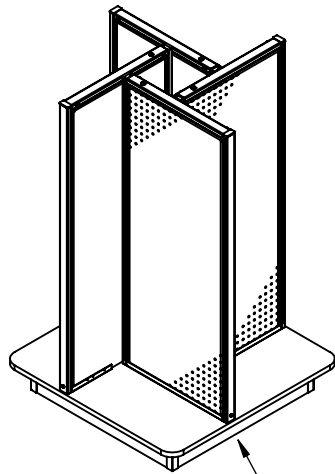
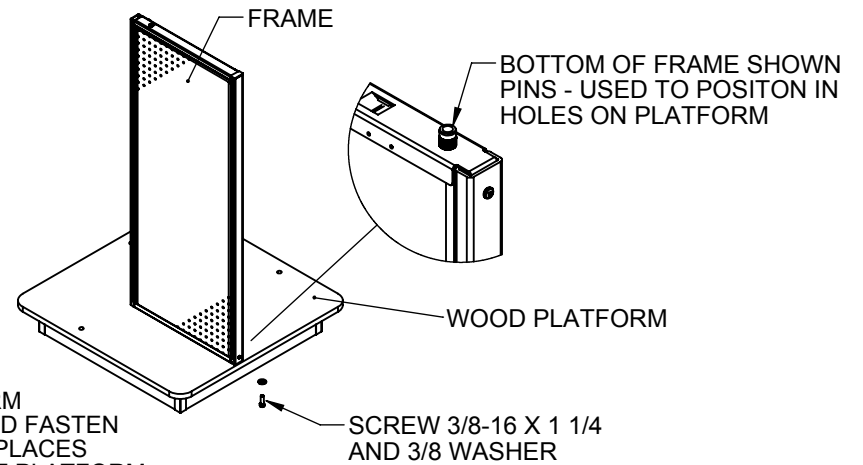
STEP 1

OPTIONAL PLATE CASTERS ARE FASTENED TO BASE WITH #12 X 1" SCREWS, (4) PER CASTER



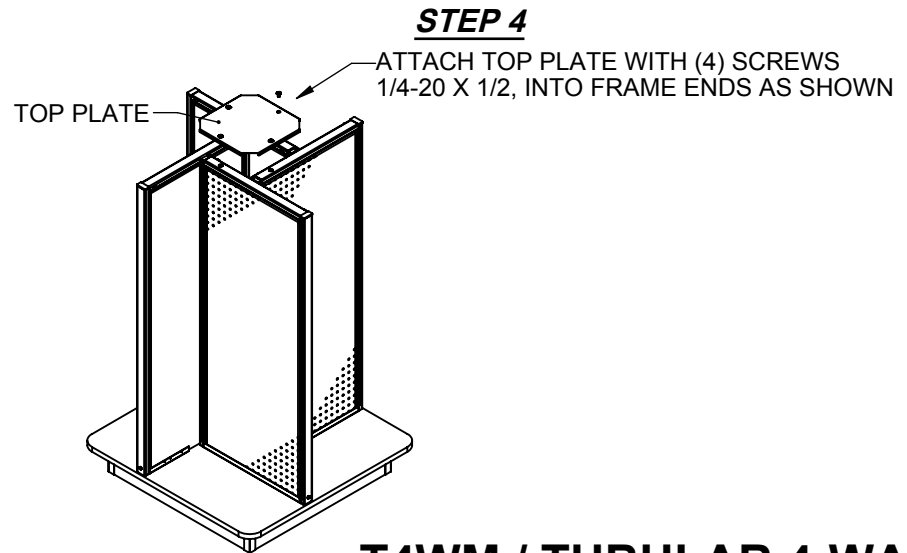
STEP 2

POSITION FRAMES ON PLATFORM ALIGNING PINS OVER HOLES AND FASTEN WITH 3/8-16 X 1 1/4" SCREWS, 4 PLACES THROUGH THE BOTTOM SIDE OF PLATFORM.



STEP 3

CONTINUE POSITIONING FRAMES FASTENING AT OUTSIDE EDGES ONLY ONE SCREW PER SIDE, (4) PLACES FASTENING AT INSIDE HOLES IS NOT NECESSARY



**T4WM / TUBULAR 4-WAY
MERCHANTISER
INSTALLATION INSTRUCTIONS**

MATERIAL: ERROR!:Material



DRAWING IS EXCLUSIVE PROPERTY OF MADIX INC
PO BOX 177 GOODWATER, AL 35072 256-839-6354
PO BOX 729 TERRELL, TX 75160 214-515-5400
60 PROSPECT ST N. BROOKFIELD, MA 01535 508-867-8933

TOLERANCES UNLESS SPECIFIED

.XX = ± .060
.XXX = ± .030
.XXXX = ± .015
ANGULAR = 1°

DESIGNER: KLINER

DRAWN BY: KLINER

DATE: 20080318

CHANGE #: 500000003865

DESC: T4WM / INSTALLATION INSTRUCTIONS

DWG NO.: ASY-80012443

REV: 00 SHEET 1 OF 1