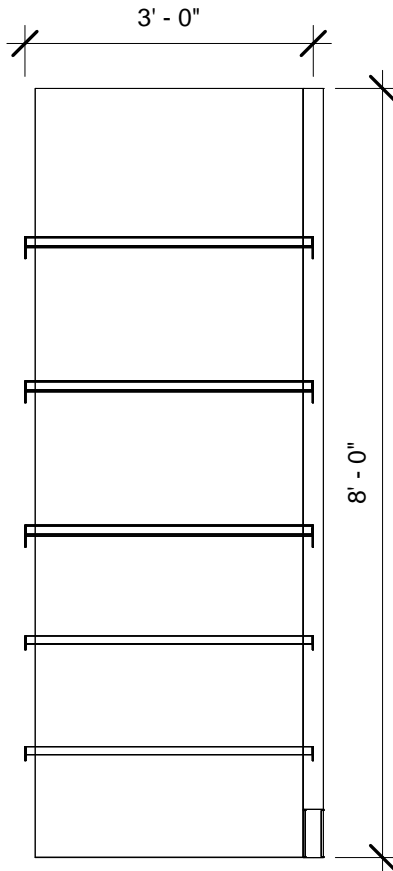
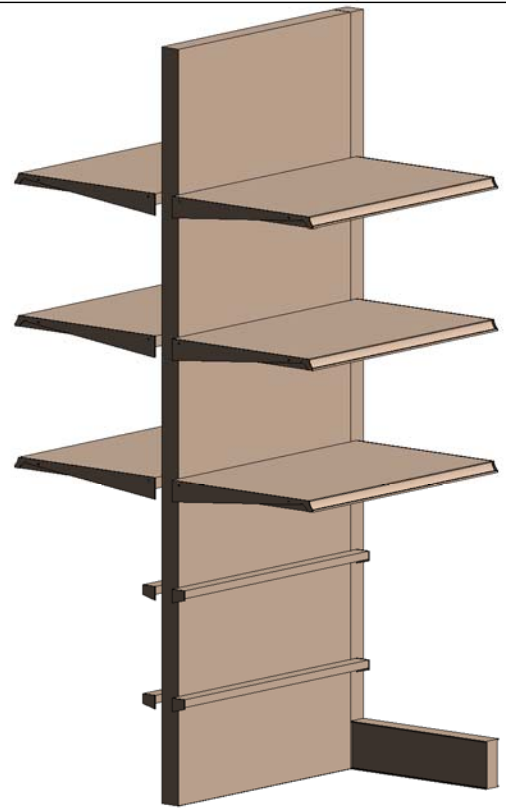


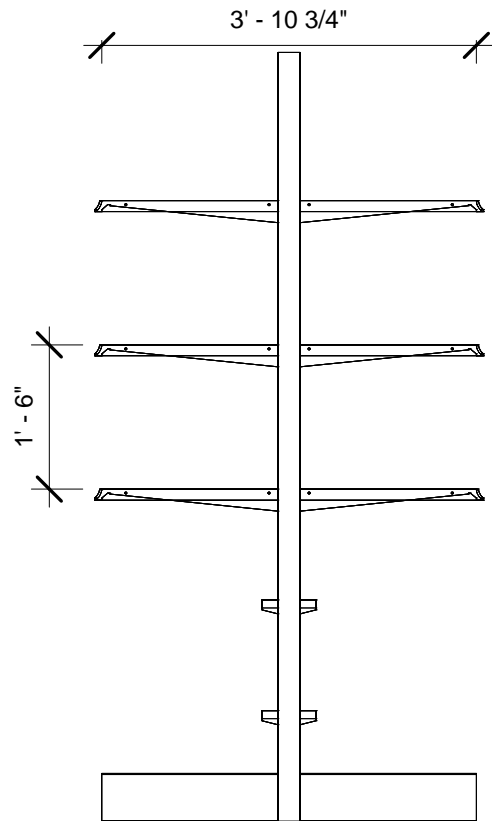
PLAN

3D PERSPECTIVE



FRONT ELEVATION

SIDE ELEVATION



Maxi Integrated Pallet System Add-On



www.madixinc.com

Madix Revit
Family

Architectural View

Project number 12056-150

Date 7-9-12

Drawn by AS

Checked by ND

MS2

Scale 1/2" = 1'-0"