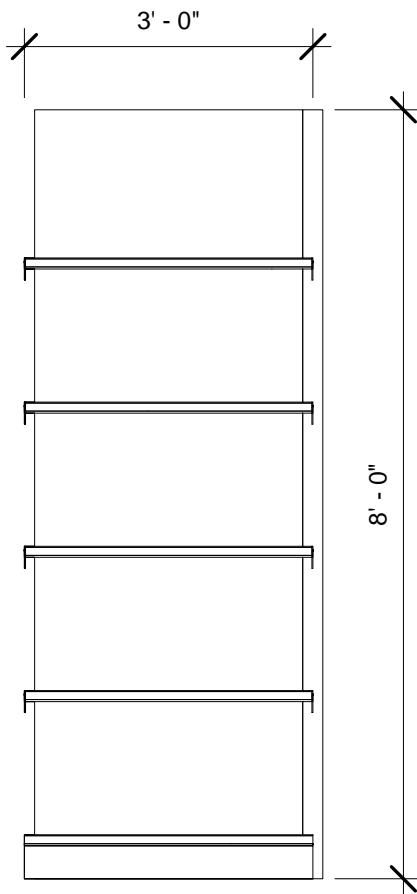
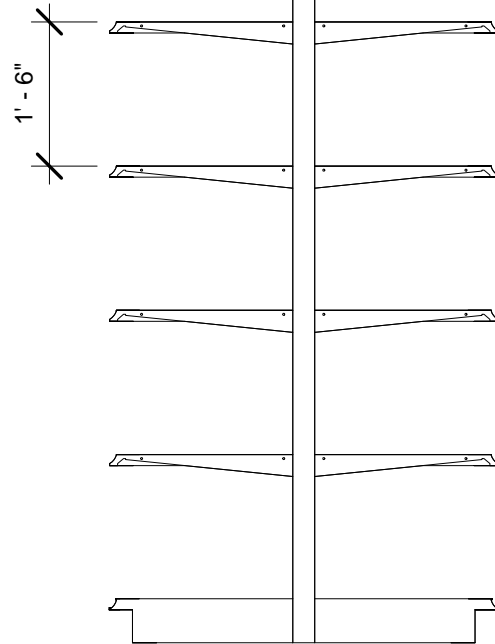
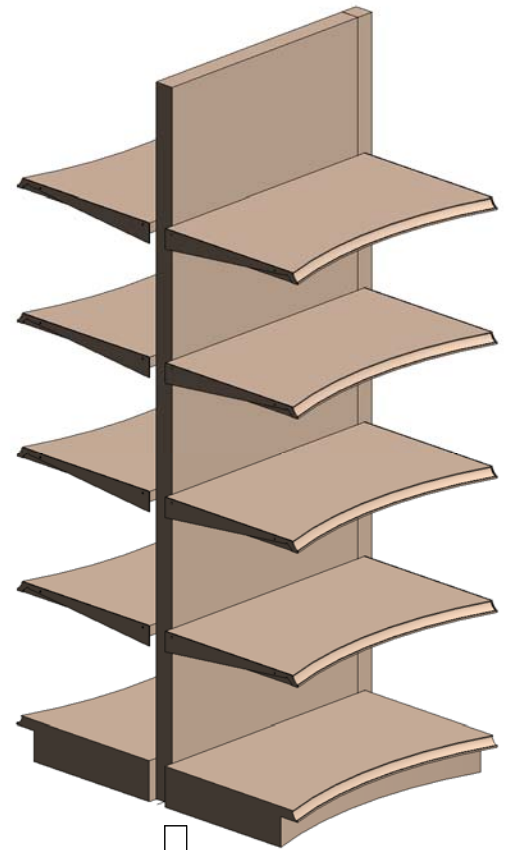


PLAN



FRONT ELEVATION

3D PERSPECTIVE



SIDE ELEVATION

Maxi Line Concave Add-On



www.madixinc.com

Madix Revit
Family

Architectural View

Project number 12056-150

Date 6/19/12

Drawn by AS

Checked by ND

ML9

Scale 1/2" = 1'-0"