

With the Lumicanopy's LED lighting, your illuminated signage will never be affected by hot spots from light bulbs. It's a maintenance-free solution that lasts for years and contains no harmful substances.

LED lighting creates a backlight for eye-catching graphics to promote everything from individual products to the retailer itself. Extremely easy-to-change graphics means store associates can replace signage quickly and simply. Graphics slide in from single unit end caps.

**Lumicanopy**

- Large format signage seen clearly across the store
- Bright, colorful, lighted, attention-getting signage
- Available in multiple heights
- Uniform light distribution
- Maintenance-free LED emits virtually no heat and consumes little power
- Easily installs on end caps or inline shelving runs
- Ability to change graphics in seconds
- UL listed

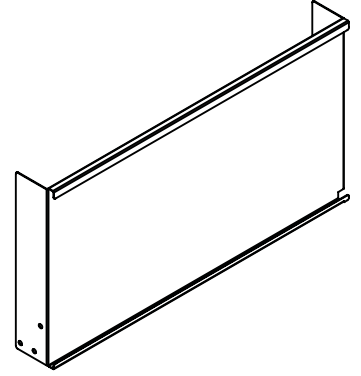


### Lumisheet Metal Canopy

- True photographic/duratran film may be used in front of panels to create illuminated signage
- Graphics best used with duratrans material at 8 mm thickness
- Size for graphics:  
Nominal Height x Nominal Width - .0625"  
Example: 12" x 47.9375"
- Set viewable area of graphics with recommended 1" padding to avoid top and bottom lip of the Metal Canopy
- Graphics not provided by Madix

### LSMC(NW)(NH)

- LS..... Lumisheet  
 MC..... Metal Canopy  
 NW..... Nominal Width 24", 30", 36", 48"  
 (610 mm, 762 mm, 914 mm, 1219 mm)  
 NH..... Nominal Height 06", 12", 18", 24"  
 (152 mm, 305 mm, 457 mm, 610 mm)

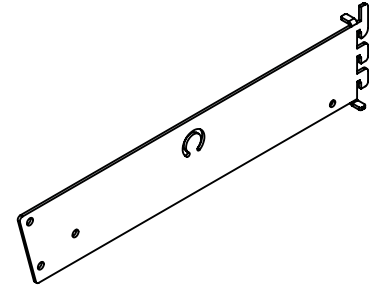


### Lumisheet Metal Canopy Bracket

- Order one bracket per upright using Lumicanopy display

### LSMCB(ND)

- LS..... Lumisheet  
 MCB..... Metal Canopy Bracket  
 ND..... Nominal Depth 06" to 24" in 2" increments  
 (152 mm to 610 mm in 51 mm increments)

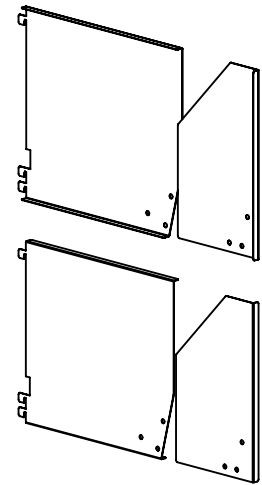


### Lumisheet Sign Metal Canopy End Cover

- Completes the end of a Lumicanopy run
- Order one left and one right for a pair
- Part is optional

### LSMCEC(ND)(NH)(HAND)

- LS..... Lumisheet  
 MCEC..... Metal Canopy End Cover  
 ND..... Nominal Depth 06" to 24" in 2" increments  
 (152 mm to 610 mm in 51 mm increments)  
 NH..... Nominal Height 06", 12", 18", 24"  
 (152 mm, 305 mm, 457 mm, 610 mm)  
 HAND..... LH=Left, RH=Right



### Lumisheet Surface Canopy

### LSSC(NW)(NH)-R

- LS..... Lumisheet  
 SC..... Surface Canopy  
 NW..... Nominal Width 24", 30", 36", 48"  
 (610 mm, 762 mm, 914 mm, 1219 mm)  
 NH..... Nominal Height 06", 12", 18", 24"  
 (152 mm, 305 mm, 457 mm, 610 mm)  
 R..... Reflector



**NOTE!** Must order required transformer separately. Transformer is UL/CE/CB listed. Spider connector cables utilized to connect multiple surfaces to a single transformer. Refer to Transformer information for capacities.