



madix[™]
INNOVATION ON DISPLAY

Signage



Easel™ SB Digital Shelf

- Grab shoppers' attention with digital media and colorful printed graphics
- Combines functionality of a retail shelf and point-of-sale display
- Promote merchandising categories or individual brands
- Utilize up to five illuminated push buttons to play different video clips
- Buttons positioned next to screen unless otherwise specified (see drawing)
- Economize by mixing and matching digital version with shelves that only have printed signage
- Shelf includes pre-installed electronics:
 - All-in-one 7" (178 mm) LCD screen and media player
 - Internal memory
 - Interactive push buttons
 - Motion sensor
- Utilizes same profile as Madix's Step Back Shelf [STBS-(NW)(ND)(TYPE)]
- Approximate dimensions of customer supplied signs: 47.932"W x 6"H (1217 mm x 152 mm)
 - Monitor cut-out: 6.125"W x 3.5"H (156 mm x 89 mm)
 - Button cut-out: 0.75"W x 0.75"H (19 mm x 19 mm)
 - Sensor cut-out: 0.5625"W x 0.5625"H (14 mm x 14 mm)
- Electronic components supported and warranted by third party
- Must be color specific (use new size for color)
- Patent pending

EASEL-SB(NW)(ND)(FIN1)

EASEL Easel™

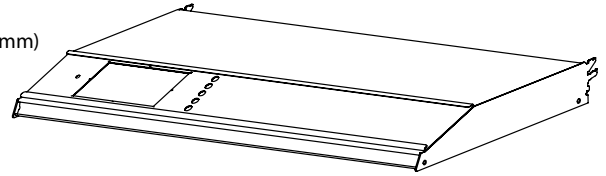
SB Step Back

NW 36" or 48" (914 mm or 1219 mm)

ND 16"-24" in 2" increments
(406 mm-610 mm in 51 mm)

Finish Code

FIN1 Shelf Color



Step Back Shelf

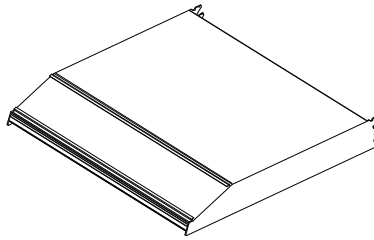
- Includes built in sign holder and 1¼" (32 mm) price tag molding
- Allows product information to be displayed in front of product and visible to customer, eliminating the need for overhead or inline signage
- Allows for more aesthetic presentation of product information without blocking valuable display space.
- Available in overall depths of 18" to 30" in 2" increments (457 mm to 762 mm in 51 mm increments)
- Merchandise display area is overall shelf depth minus 4⅝" (110 mm) or minus 6⅞" (166 mm) respectively with either the 4" or 6" (102 mm or 152 mm) sign holder option
- Sign holders accept customer-supplied signage up to ⅜" (5 mm) thick and either 4" or 6" (102 mm or 152 mm) high and in lengths equal to nominal shelf width minus ⅛" (2 mm)
- Load Capacity 350 lbs
- Carpet option to further enhance functionality (please add the carpet upcharge to the price of corresponding size of shelf ordered)

STBS-(NW)(ND)(SO)(OPT)-(FIN1)-(FIN2)

- STBS Step Back Shelf
- NW Nominal Width 24", 36", 48"
(610 mm, 914 mm, 1219 mm)
- ND Nominal Depth 18" to 30" in 2" increments
(457 mm to 762 mm in 51 mm increments)
- SO Step Option :
225=2¼" (57.15 mm)
4=4" (101 mm)
6=6" (152 mm)
- OPT Blank=Painted
C=Carpet

Finish Code

- FIN1 Shelf Color
FIN2 Carpet Color Option



Lighted Upper Shelf Assembly Step Back Shelf

- Includes a Slimline Light Fixture Kit (SLFK), and built-in signage display of 4" (102 mm) or 6" (152 mm)
- Use with standard Maxi Line
- Merchandise display area is overall shelf depth minus 4⅝" (110 mm) or minus 6⅞" (166 mm), respectively
- Sign holders accept customer-supplied signage up to ⅜" (5 mm) thick and either 4" or 6" (102 mm or 152 mm) high and in lengths equal to nominal shelf width minus ⅛" (2 mm)
- Load capacity 100 lbs
- Connector Cords and Power Cords are available (see SLFCC and SLFPC) to easily connect shelves for continuous lighted runs, see Lighting Catalog for cords
- Order one Slimline Light Fixture Power Cord for each run and one Slimline Light Fixture Connector Cord for each LUSASTB added to run
- Shelves can be daisy-chained up to maximum of 36' (11 m)– nine 4' (1219 mm) fixtures
- 20 amp circuit will handle up to twenty-seven 4' (1219 mm) fixtures with 28 watt T5 bulbs (maximum 3 strings of 9 fixtures)

LUSASTB-(NW)(ND)(SO)-(TO)

- LUSASTB.....Lighted Upper Shelf Assembly Step Back Shelf
- NW.....Nominal Width 3' or 4'
(914 mm or 1219 mm)
- ND.....Nominal Depth
18" to 30" in 2" increments
(457 mm to 762 mm in 51 mm increments)
- SO.....Step Option:
4=4" (102 mm)
6=6" (152 mm)
- TO.....Top Option:
TG = Tempered Glass,
CA = Clear Acrylic
FA = Frosted Acrylic
ND=No Deck

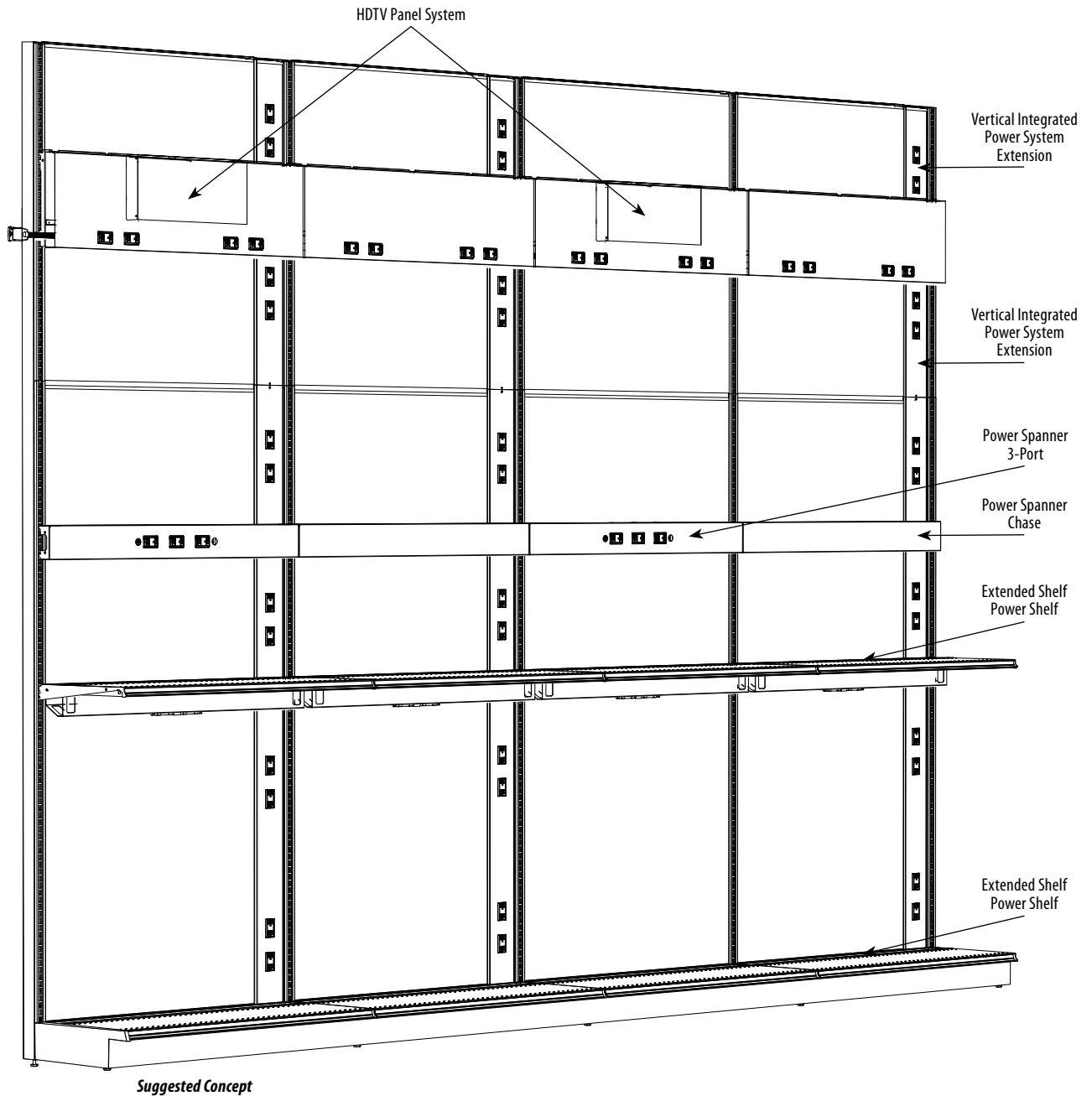


NOTE!

Madix does not recommend using lighted shelves with merchandise that is sensitive and may be damaged by slightly warmer temperatures or direct exposure to light.

HDTV Panel System

Madix's HDTV System for Maxi or Tube Line improves sales of LED, LCD and plasma televisions. Whether you have partial or complete fixture runs to display televisions, you will appreciate the system's easy-to-assemble, snap-together design. The system also facilitates digital signage in shelving that promotes merchandising categories, brands, or out-of-home networks.



All electrical components for power distribution are UL Listed and are designed for "plug & play" installation (except final connection to building power).

HDTV System AC/DC Panel

- Available in 36" and 48" (948 mm and 1219 mm) lengths
- Available with or without audio/visual distribution amplifiers
- Must order AC Electrical Kit to complete installation

Amplifiers:

- Compatible with high-resolution HDTVs
- Offers superior picture quality
- Saves money by requiring fewer A/V receivers
- Output signal to maximum of 8 televisions

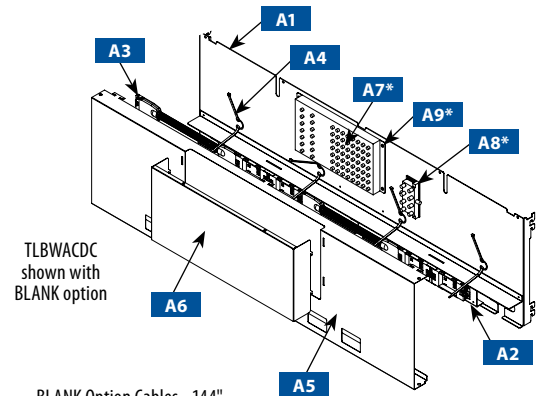


TLBWACDC(NW)(OPT)(PWR)

TLBWACDC.....Back Wall AC/DC Panel
 NW.....Nominal Width 36" or 48"
 (914 mm or 1219 mm)
 OPT.....Blank=Amp, Tap, Cables
 X=No Amp, Tap, Cables
 PWR.....Blank=with Power System
 Z=without Power System

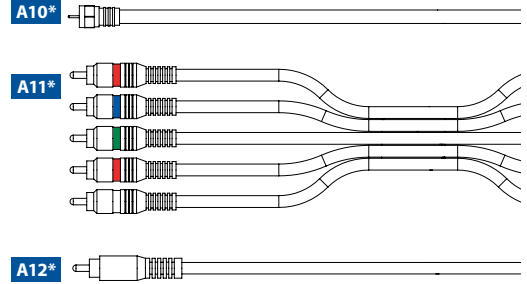
| TLBWACDC | | |
|-------------|-----------------------------|------|
| Description | | Qty. |
| A1 | Back Wall Panel Assembly | 1 |
| A2 | Junction Box | 2 |
| A3 | 8 Wire Power-to-Power Cable | 2 |
| A4 | 14" Black Nylon Cable Tie | 4 |
| A5 | AC/DC Panel Cover | 1 |
| A6 | Amp Panel Cover | 1 |
| A7* | Amp | 1 |
| A8* | Tap (Coax) | 1 |
| A9* | Screws | 6 |
| A10* | 12' Coax Cable | 1 |
| A11* | 12' Component & Video Cable | 1 |
| A12* | 12' Composite Video Cable | 1 |

* Items 7-12 included if using "BLANK" option



TLBWACDC shown with BLANK option

BLANK Option Cables - 144"



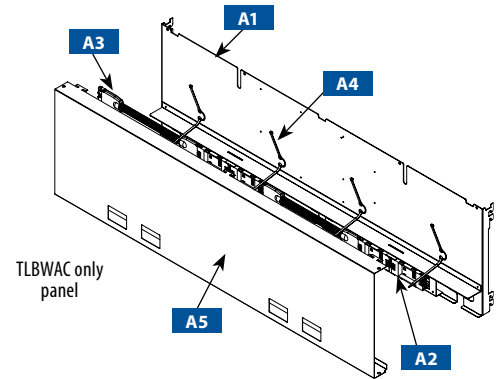
HDTV System AC Only Panel

- Available in 36" and 48" (948 mm and 1219 mm) lengths
- Must order AC Electrical Kit to complete installation

TLBWAC(NW)(PWR)

TLBWAC.....Back Wall AC Panel
 NW.....Nominal Width 36" or 48"
 (914 mm or 1219 mm)
 PWR.....Blank=with Power System
 Z=without Power System

| TLBWAC | | |
|-------------|-----------------------------|------|
| Description | | Qty. |
| A1 | Back Wall Panel Assembly | 1 |
| A2 | Junction Box | 2 |
| A3 | 8 Wire Power-to-Power Cable | 2 |
| A4 | 14" Black Nylon Cable Tie | 4 |
| A5 | AC Panel Cover | 1 |



TLBWAC only panel

HDTV System AC/DC Panel with HDMI

- Available in 36" and 48" (948 mm and 1219 mm) lengths
- Available with or without audio/visual distribution amplifiers
- Must order AC Electrical Kit to complete installation

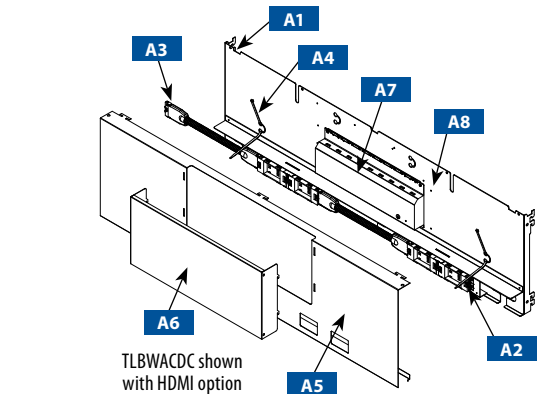
Amplifiers:

- Compatible with high-resolution HDTVs
- Offers superior picture quality
- Saves money by requiring fewer A/V receivers
- Output signal to maximum of 8 televisions

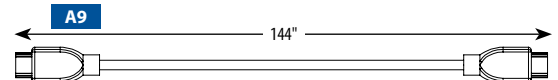
TLBWACDC(NW)(HDMI)(PWR)

TLBWACDC ...Back Wall AC/DC Panel
 NW.....Nominal Width 36" or 48"
 (914 mm or 1219 mm)
 HDMI.....High-Definition Multimedia Interface
 PWR.....Blank=with Power System
 Z=without Power System

| TLBWACDC | | |
|-------------|-----------------------------|------|
| Description | | Qty. |
| A1 | Back Wall Panel Assembly | 1 |
| A2 | Junction Box | 2 |
| A3 | 8 Wire Power-to-Power Cable | 2 |
| A4 | 14" Black Nylon Cable Tie | 4 |
| A5 | AC/DC Panel Cover | 1 |
| A6 | Amp Panel Cover | 1 |
| A7 | HDMI Distribution Amp | 1 |
| A8 | Screws | 4 |
| A9 | 12' HDMI Cable | 1 |



TLBWACDC shown with HDMI option



TV Wall AC Electrical Kit

Kits contain cables and outlets required to install HDTV System Panels in specific run lengths.

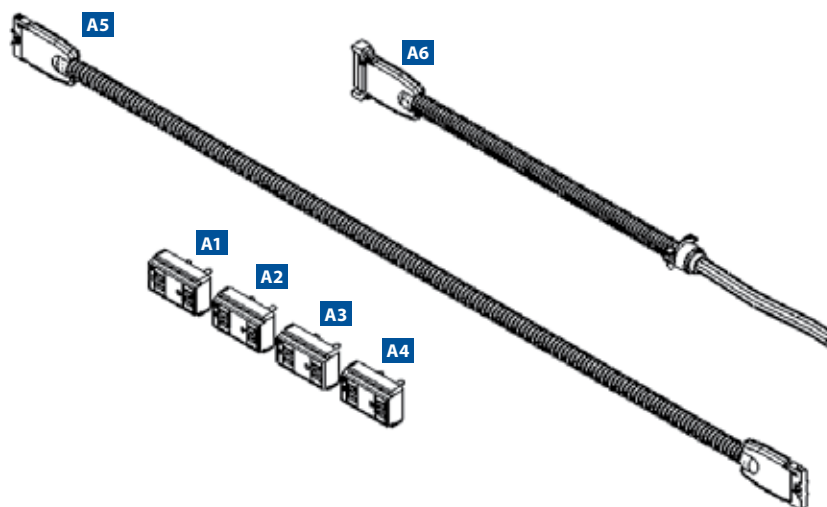
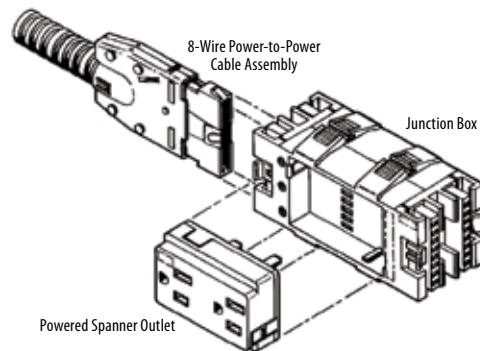
Example:

- 32' (9.75 m) = Eight 4' (102 mm) sections
- 1 power drop every 32' (9754 mm)
- 4 outlets per panel, 2 panels per circuit
- 8 of each number circuit outlet for every 32' (9.75 m)
- Balance load as needed using numbered outlets
- Pre-configured options below represent 32', 48', 64', 100', 120' and 144' runs (9.75 m, 14.63 m, 19.50 m, 30.48 m, 36.58 m and 43.89 m)
- Other configurations available upon request
- Modular power products planning guide to help layout your system available upon request

TLTVBACKIT20(NL)

TLTVB TV Wall
 ACKIT AC Electrical Kit
 20 20 ft. Power Drop
 NL ... Nominal Length
 32', 48', 64', 100', 120' or 144'
 (9.75 m, 14.63 m, 19.50 m,
 30.48 m, 36.58 m or 43.89 m)

Electrical Component Detail



| 32' RUN | | |
|----------------|-----------------|------|
| TLTVBACKIT2032 | | |
| Part Number | | Qty. |
| A1 | PSOUTLET(1)-(2) | 8 |
| A2 | PSOUTLET(2)-(2) | 8 |
| A3 | PSOUTLET(3)-(2) | 8 |
| A4 | PSOUTLET(4)-(2) | 8 |
| A5 | TCBL8P2P-240 | 1 |
| A6 | TCBL8LE-16 | 1 |

| 48' RUN | | |
|----------------|-----------------|------|
| TLTVBACKIT2048 | | |
| Part Number | | Qty. |
| A1 | PSOUTLET(1)-(2) | 12 |
| A2 | PSOUTLET(2)-(2) | 12 |
| A3 | PSOUTLET(3)-(2) | 12 |
| A4 | PSOUTLET(4)-(2) | 12 |
| A5 | TCBL8P2P-240 | 2 |
| A6 | TCBL8LE-16 | 2 |

| 64' RUN | | |
|----------------|-----------------|------|
| TLTVBACKIT2064 | | |
| Part Number | | Qty. |
| A1 | PSOUTLET(1)-(2) | 18 |
| A2 | PSOUTLET(2)-(2) | 18 |
| A3 | PSOUTLET(3)-(2) | 18 |
| A4 | PSOUTLET(4)-(2) | 18 |
| A5 | TCBL8P2P-240 | 2 |
| A6 | TCBL8LE-16 | 2 |

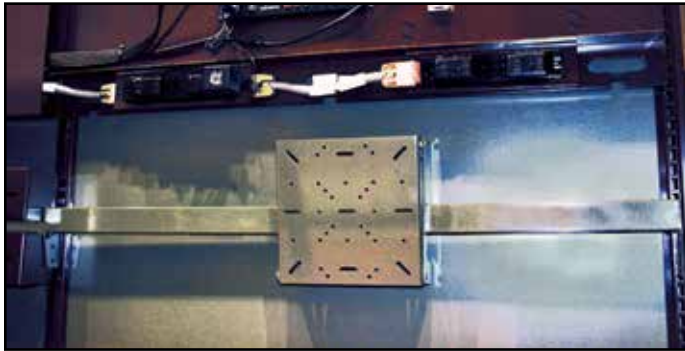
| 100' RUN | | |
|-----------------|-----------------|------|
| TLTVBACKIT20100 | | |
| Part Number | | Qty. |
| A1 | PSOUTLET(1)-(2) | 26 |
| A2 | PSOUTLET(2)-(2) | 26 |
| A3 | PSOUTLET(3)-(2) | 26 |
| A4 | PSOUTLET(4)-(2) | 26 |
| A5 | TCBL8P2P-240 | 3 |
| A6 | TCBL8LE-16 | 3 |

| 120' RUN | | |
|-----------------|-----------------|------|
| TLTVBACKIT20120 | | |
| Part Number | | Qty. |
| A1 | PSOUTLET(1)-(2) | 30 |
| A2 | PSOUTLET(2)-(2) | 30 |
| A3 | PSOUTLET(3)-(2) | 30 |
| A4 | PSOUTLET(4)-(2) | 30 |
| A5 | TCBL8P2P-240 | 3 |
| A6 | TCBL8LE-16 | 3 |

| 144' RUN | | |
|-----------------|-----------------|------|
| TLTVBACKIT20144 | | |
| Part Number | | Qty. |
| A1 | PSOUTLET(1)-(2) | 34 |
| A2 | PSOUTLET(2)-(2) | 34 |
| A3 | PSOUTLET(3)-(2) | 34 |
| A4 | PSOUTLET(4)-(2) | 34 |
| A5 | TCBL8P2P-240 | 4 |
| A6 | TCBL8LE-16 | 4 |

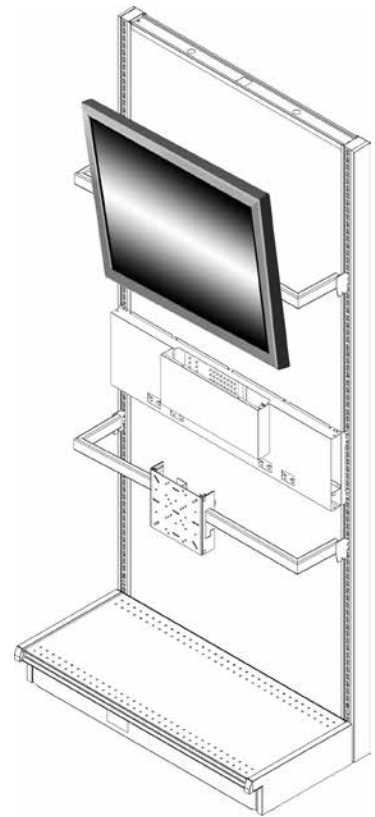
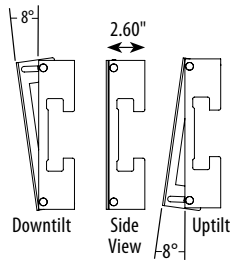
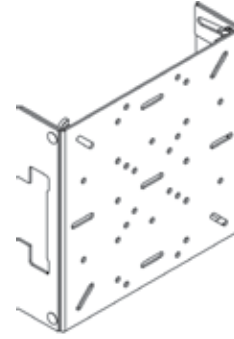
TV Mount for Crossbar

- VESA 50/75/100 compatible
- Mounts onto any 1" x 2" (25 mm x 51 mm) crossbar such as RGVDBNH-(NW); ordered separately
- Holds up to 36" (914 mm) screen TVs
- Bracket pivots to uptilt, downtilt 8°, or mount flat at 90°
- Load capacity 50 lbs



CBMUPTVB

CBMUPTVBCrossbar Mount Universal TV Bracket



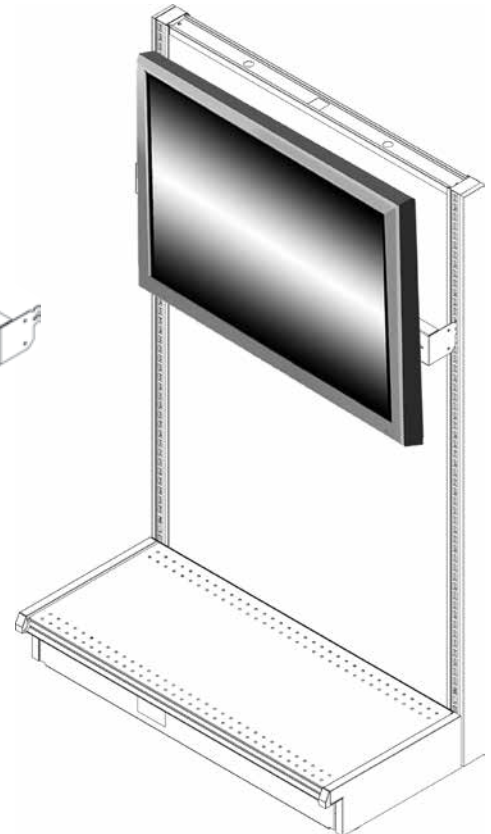
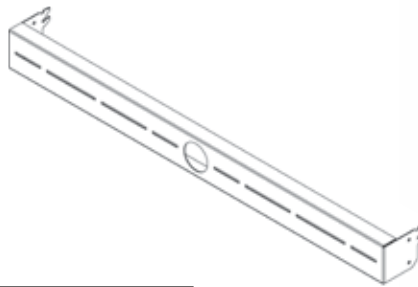
Flat Panel TV Bracket

- VESA 50/75/100 compatible
- Holds up to 36" (914 mm) screen TVs
- Bracket pivots to uptilt, downtilt 8°, or mount flat at 90° (pivot may be limited by TV size)
- Load capacity 75 lbs



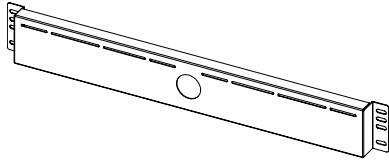
LCDTVCB(NW)

LCDTVCBLCD TV Crossbar
NWNominal Width 36", 48"
(914 mm, 1219 mm)



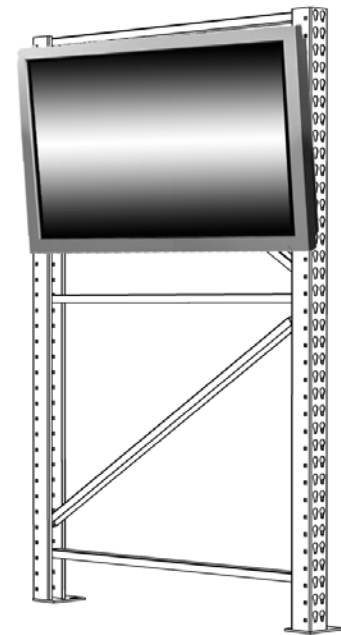
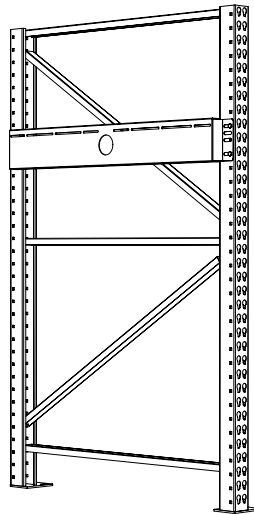
Pallet Rack TV Bracket

- Mounts to end of Pallet Rack using four $\frac{3}{8}$ - $\frac{3}{16}$ x 1" bolts
- Mounting slots are located toward top to allow gusset style mounting and securing of aftermarket TV-mounting brackets



LCDTVCPREM(NW)

LCDTVCB.....LCD TV Crossbar
 PR.....Pallet Rack
 EM.....End Mount
 NW.....Nominal Width 36", 42" and 48"
 (914 mm, 1067 mm, 1219 mm)

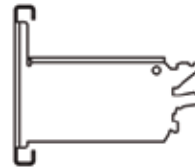
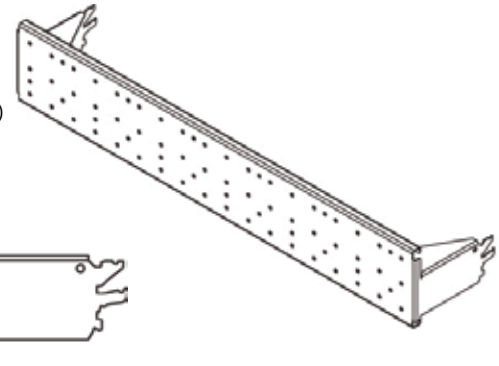


Flat Panel TV Mounting Bar

- Variety of mounting hole locations for multiple mounting hardware options
- Boxed frame for strength and durability
- 3-position bracket
- Offset from fixture
- For VESA 200 and above

FPTVMB(NW)(ND)(NH)

FPTVMBFlat Panel TV Mounting Bar
 NWNominal Width 36", 48"
 (914 mm, 1219 mm)
 NDNominal Depth 6" (152 mm)
 NHNominal Height 6", 10"
 (152 mm, 254 mm)

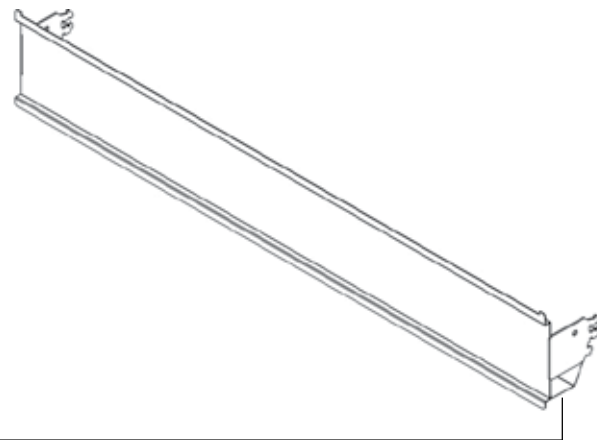
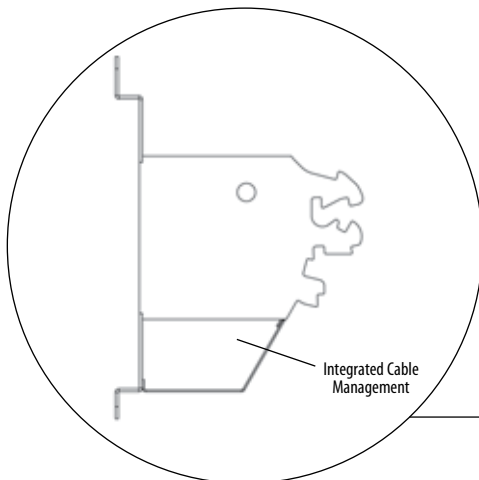


TV Mounting Plate

- Available in 48" (1219 mm) only
- Integrated cable management
- Accepts aftermarket TV mounting brackets

TVMP(NW)(NH)

TVMP TV Mounting Plate
 NW Nominal Width 48" (1219 mm)
 NH Nominal Height 7" (178 mm)

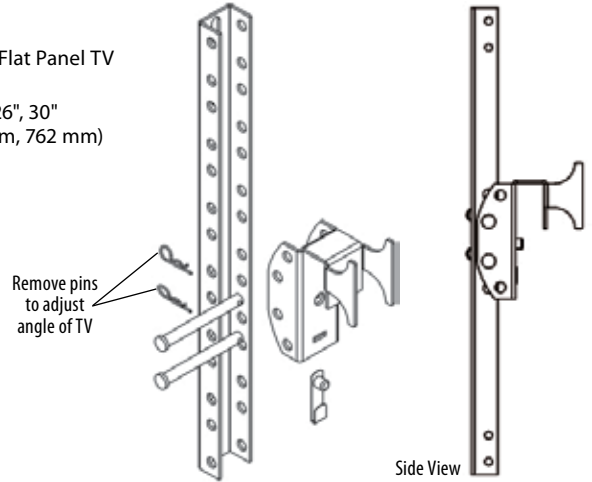


Three Position Overhead Flat Panel TV Attachment Bracket

- Hooks over 1" x 2" (25 mm x 51 mm) Crossbar (ordered separately), snap button secures mount
- Holes at top and bottom for optional Sign Holder (TPOPTABSH)
- Angle of TV is adjustable
- Integrated cable management
- Two required per TV
- 10° angled position

TPOPTAB(NH)

TPOPTAB.....Three Position Overhead Flat Panel TV Attachment Bracket
 NH.....Nominal Height 10", 18", 26", 30"
 (254 mm, 457 mm, 660 mm, 762 mm)



TV Crossbar For Maxi Line

- Crossbar constructed of 1" x 2" (25 mm x 51 mm) tubing
- OPTAB(OPT) attaches to crossbar to display large screen LCD and plasma televisions
- Welded brackets install into Maxi Line Uprights
- Load capacity 150 lbs

MOFPTCB(NW)(ND)

MOFP Maxi Line Overhead Flat Panel
 TCB TV Crossbar
 NW Nominal Width 36" or 48"
 (914 mm or 1219 mm)
 ND Nominal Depth 6" to 20" in 2" increments
 (152 mm to 508 mm in 51 mm increments)



Three Position Overhead Flat Panel TV Attachment Bracket Sign Holder

- Attaches to Three Position Overhead Flat Panel TV Attachment Bracket (TPOPTAB)
- Vertically adjustable
- 4"H x 12"W (102 mm x 305 mm)

TPOPTABSH

TPOPTAB.....Three Position Overhead Flat Panel TV Attachment Bracket
 SH.....Sign Holder

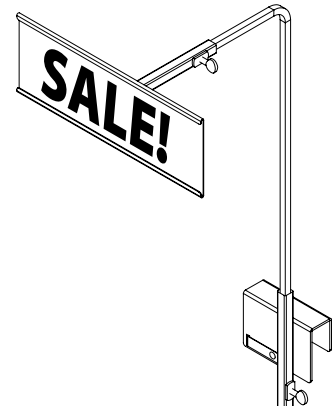


HDTV Sign Holder for Rolling Goods Vertical Divider Bar

- Attaches to Vertical Divider Bar (VDB) (ordered separately)
- Accommodates 11"W x 3½"H (279 mm x 88 mm) customer-supplied signage

HDTVSHRGVDB3511

HDTVSH.....HDTV Sign Holder
 RGVDB.....Rolling Goods Vertical Divider Bar
 35.....Sign Nominal Height 3½" (89 mm)
 11.....Sign Nominal Width 11" (279 mm)



Lumicanopy

Madix's Lumicanopy places in-store signage where it is most noticeable; in front of the merchandise just above the shoppers' heads on perimeter wall and aisle store fixtures. The LED lighting creates a backlight for eye-catching customer-supplied graphics to promote merchandising categories, brands, or the retailer itself. Since there are no light bulbs, there are no hot spots, which commonly afflict illuminated signage. With no light bulbs to change, it is a maintenance-free solution. It is amazingly easy for store associates to change out the canopy's graphics, which can be slid in a single unit on end caps or continued across several sections inline. The canopy is available in small, medium, and tall heights. Since it is LED lighting, the solution consumes very little power, emits virtually no heat, lasts for years, and contains no harmful substances.

- Large-format signage seen clearly across the store
- Bright, colorful, lighted, attention-grabbing signage
- Available in multiple heights
- Uniform light distribution
- Maintenance-free LED emits virtually no heat and consumes little power
- Easily installs on end caps or inline shelving runs
- Ability to change graphics in seconds
- UL Listed



Lumisheet Metal Canopy

- True photographic/duratrans film may be used in front of panels to create illuminated signage (8 mil recommended)
- Size for graphics:
Nominal Height x Nominal Width - .0625" (6mm)
Example: 12" x 47.9375" (305 mm x 1218 mm)
- Set viewable area of graphics with recommended 1" padding to avoid top and bottom lip of the Metal Canopy
- Graphics not provided by Madix

LSMC(NW)(NH)

- LS Lumisheet
- MC Metal Canopy
- NW Nominal Width 24", 30", 36", 48"
(610 mm, 762 mm, 914 mm, 1219 mm)
- NH Nominal Height 06", 12", 18", 24"
(152 mm, 305 mm, 457 mm, 610 mm)

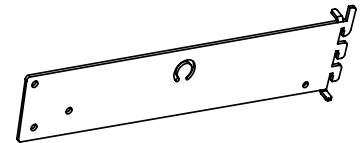


Lumisheet Metal Canopy Bracket

- Order one bracket per upright using Lumicanopy display

LSMCB(ND)

- LS Lumisheet
- MCB Metal Canopy Bracket
- ND Nominal Depth 06" to 24" in 2" increments
(152 mm to 610 mm in 51 mm increments)

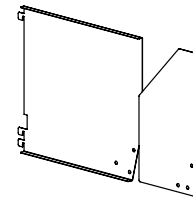


Lumisheet Sign Metal Canopy End Cover

- Completes the end of a Lumicanopy run
- Order one left and one right for a pair
- Part is optional

LSMCEC(ND)(NH)(HAND)

- LS Lumisheet
- MCEC Metal Canopy End Cover
- ND Nominal Depth 06" to 24" in 2" increments
(152 mm to 610 mm in 51 mm increments)
- NH Nominal Height 06", 12", 18", 24"
(152 mm, 305 mm, 457 mm, 610 mm)
- HAND LH=Left, RH=Right

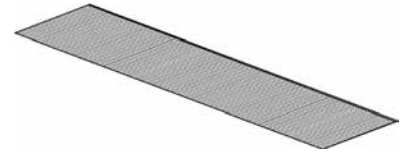


Lumisheet Canopy Panel

- Graphic size: NW -.0625" x NH actual size (NW -2 mm x NH actual size)
Example: LSMC3612, size of graphic 35.938"W x 12"H (913 mm x 305 mm)
- Graphics not provided

LSSC(NW)(NH)-R

- LSSC Lumisheet Canopy Panel
- NW Nominal Width 24", 30", 36", 48"
(610 mm, 762 mm, 914 mm, 1219 mm)
- NH Nominal Height 06", 12", 18", 24"
(152 mm, 305 mm, 457 mm, 610 mm)
- R Reflector



NOTE!

Order necessary transformer separately. Spider cables connect multiple surfaces to a single transformer. See below.

Transformers for Lumi LED Products

- Transformers are required for Lumicanopy, ordered separately
- 60-watt capacity, 7.5 vertical feet
- Single transformer powers five 36" (914 mm) shelves
- UL/CE/CB Listed
- 60" (1524 mm) AC power cord and 72" (1829 mm) DC cord
- Cannot be used with LEDge Light

LSST5A

- LSST Transformers for LED Products
- 5 60 watts, 7.5 vertical feet
- A Adapter

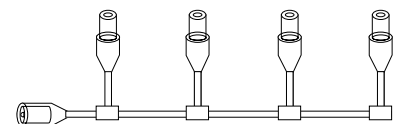


Spider Cables for Lumi LED Products

- LSS4WC Spider Cable has 60" (1524 mm) leads, 60" (1524 mm) OC
- Spider Cables can be utilized to connect multiple surfaces or backs to a single transformer
- Refer to transformer information for capacities

LSS4WC

- LSS Spider Cables for LED Products
- 4 4 Connections
- WC Wire Connectors



Lumiback Panels

- Includes acrylic surface with integral LED lighting system and 5' (1524 mm) long cord
- Effectively illuminates graphics or signage
- Lumibacks and extension backs are sized to work with standard Gondola back sizes—configurations combining pegboard, or other ¼" (6 mm) material, backs and Lumiback extension backs are possible
- Power consumption is approximately 8 watts per vertical foot
- Order transformers, backs, and adapter sets separately
- Reflector (-R) required for most applications, except where Single Centered and Triple Back Systems specified with centered Lumiback
- Requires use of Slatwall Center Spanner [SSC-(NW)]



Lumiback Split End Cap

Lumiback Single Side Back Panels

- Back panels for single sided applications installed in regular back panel location

LSSSB-(NW)(NH)-R

LSSSB Lumiback Single Sided Back Panels

NW Nominal Width 3' or 4'
(914 mm or 1219 mm)

NH Nominal Height 36" to 72" in 6" increments
(914 mm to 1829 mm in 152 mm increments)

R R=Reflector

Lumiback Single Side Back Panel Extension

- Back panels for single sided applications installed in regular back panel location

LSSBE-(NW)(NH)-R

LSSBE Lumiback Single Sided Back Extension

NW Nominal Width 3' or 4'
(914 mm or 1219 mm)

NH Nominal Height
12" to 48" in 6" increments
(305 mm to 1219 mm in 152 mm increments)

R R=Reflector



Lumiback Triple Back Panels

LSSTB-(NW)(NH)-R

LSSTB Lumiback Triple Back Panels

NW Nominal Width 3' or 4'
(914 mm or 1219 mm)

NH Nominal Height 36" to 72" in 6" increments
(914 mm to 1829 mm in 152 mm increments)

R R=Reflector



Lumiback Triple Back Panel Extension

LSSTBE-(NW)(NH)-R

LSSTBE Lumiback Triple Back Panel Extension

NW Nominal Width 3' or 4'
(914 mm or 1219 mm)

NH Nominal Height 12" to 48" in 6" increments
(305 mm to 1219 mm in 152 mm increments)

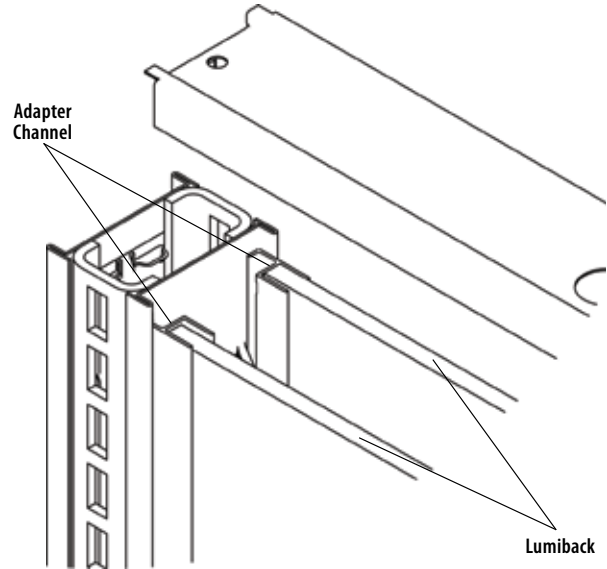
R R=Reflector

NOTE!

Minimum order is 10 backs of any size.

Lumiback Panel Adapter Sets

- Back Panel Adapter Set (required)
- Includes adapter channel for sides of panel
- Specify finish (recommended finish is matched to upright)



NOTE!

Order the Lumibacks without the "R" - Reflector when used as a single-centered back where illumination of both sides is desired.

Lumiback Single Back Panel Adapter Set

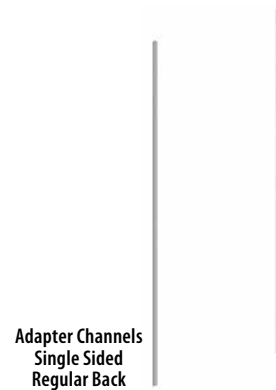
- Adapters for single sided applications installed in regular back panel location

LSBPAS-(NW)(NH)

LSBPAS.....Lumiback Back Panel Adapter Set

NW.....Nominal Width 36" or 48"
(914 mm or 1219 mm)

NH..... Nominal Height 36" to 72" in 6" increments
(914 mm to 1829 mm in 152 mm increments)



Adapter Channels
Single Sided
Regular Back

Lumiback Single Back Panel Adapter Set- Extension

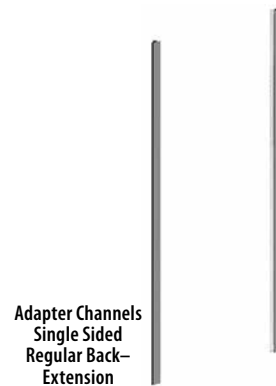
- Adapters for single sided applications installed in extension back panel location

LSBPASE-(NW)(NH)

LSBPASE..... Lumiback Back Panel Adapter Set- Extension

NW.....Nominal Width 36" or 48"
(914 mm or 1219 mm)

NH..... Nominal Height 36" to 72" in 6" increments
(914 mm to 1829 mm in 152 mm increments)



Adapter Channels
Single Sided
Regular Back-
Extension



Lumiback Back Panel Adapter Set- Single Track

- Adapters for single-centered back applications
- Includes both side and top/bottom adapters

LSBPASS-(NW)(NH)

LSBPASS.....Lumiback Back Panel Adapter Set- Single Track
 NW.....Nominal Width 36" or 48" (914 mm or 1219 mm)
 NH.....Nominal Height 36" to 72" in 6" increments (914 mm to 1829 mm in 152 mm increments)

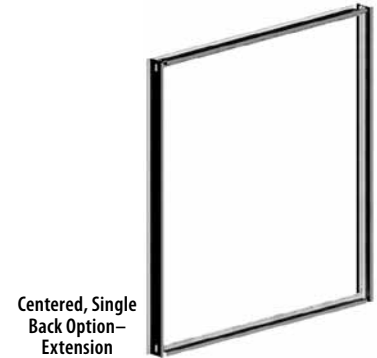


Lumiback Extension Back Panel Adapter Set- Single Track

- Adapters for single-centered back applications installed in extension back panel
- Includes both side and top/bottom adapters

LSBPASES-(NW)(NH)

LSBPASES.....Lumiback Extension Back Panel Adapter Set- Single Track
 NW.....Nominal Width 36" or 48" (914 mm or 1219 mm)
 NH.....Nominal Height 12" to 48" in 6" increments (305 mm to 1219 mm in 152 mm increments)



Lumiback Back Panel Adapter Set- Triple Track

- Adapters for triple-back applications
- Includes both side and top/bottom adapters

LSBPAST-(NW)(NH)

LSBPAST.....Lumiback Back Panel Adapter Set- Triple Track
 NW.....Nominal Width 36" or 48" (914 mm or 1219 mm)
 NH.....Nominal Height 36" to 72" in 6" increments (914 mm to 1829 mm in 152 mm increments)



Lumiback Extension Back Panel Adapter Set- Triple Track

- Adapters for triple back applications installed in extension back panel location
- Includes both side and top/bottom adapters

LSBPASET-(NW)(NH)

LSBPASET.....Lumiback Extension Back Panel Adapter Set- Triple Track
 NW.....Nominal Width 36" or 48" (914 mm or 1219 mm)
 NH.....Nominal Height 12" to 48" in 6" increments (305 mm to 1219 mm in 152 mm increments)

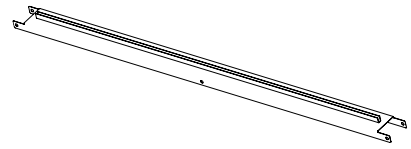


Top Spanner with Sign Channel

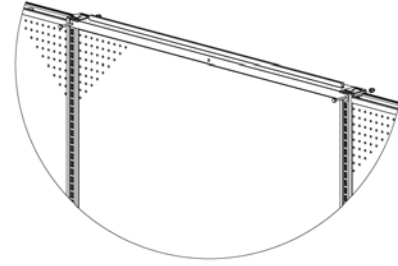
- Accommodates signage thicknesses up to 1/4" (6 mm)
- Hardware pack included

CTSSC4

CTS Cosmetic Top Spanner
 SC Sign Channel
 4 Nominal Width 4=48" (1219 mm)



Shown mounted to gondola

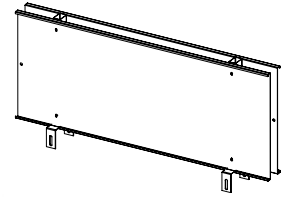


Top Spanner Sign Holder

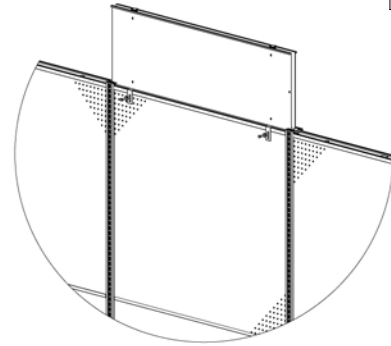
- Display customer-supplied signage on both sides
- Accommodates signage thicknesses up to 1/4" (6 mm)
- Hardware pack included

STLSHM-(NW)(NH)

STL Top Spanner
 SHM Sign Holder Modified
 NW Nominal Width 36" or 48"
 (914 mm or 1219 mm)
 NH Nominal Height 04", 06", 08", 16", 18"
 (102 mm, 152 mm, 203 mm, 406 mm, 457 mm)



Shown mounted to gondola

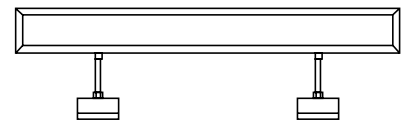


Double Stem Sign Holder for Top Spanner

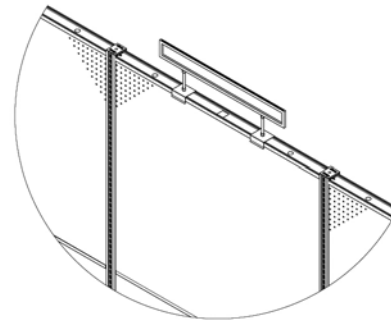
- Display customer-supplied signage 28" (711 mm) W x 3/4" (83 mm) H
- Accommodates signage thicknesses up to 1/4" (6 mm)

DSSHFTS

DSSH Double Stem Sign Holder
 FTS for Top Spanner



Shown mounted to gondola



Vertical End Cover Extension with Sign Channel

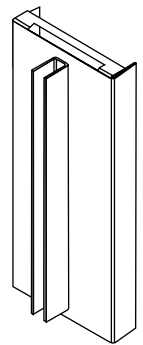
- Attaches to inside of upright, allowing customer-supplied signage to be integrated seamlessly into gondola/wall run
- Single-track channel
- Accommodates signage thicknesses up to ¼" (6 mm)
- Order back panel 6" (152 mm) shorter than upright height

NOTE!

To determine width of signage, subtract 2.875" (73 mm) from nominal width of gondola.

EVCS-(NH)

- EVC Vertical End Cover Extension
 SC Sign Channels
 NH Nominal Height 06" to 30" in 6" increments
 (152 mm to 762 mm in 152 mm increments)

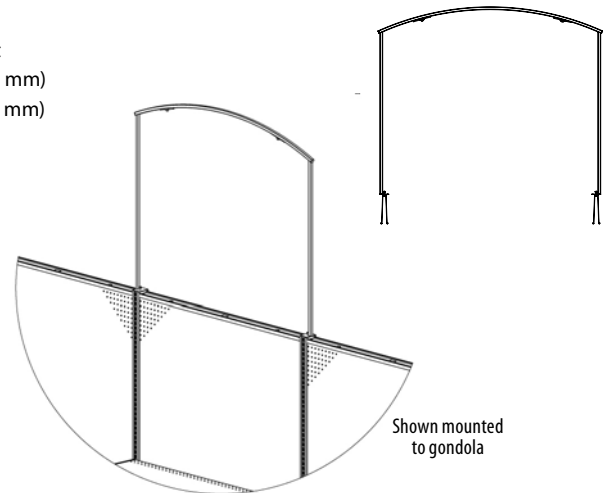


Sign Holder Basic Upright Top Mount

- Mounts directly into upright
- Hardware pack included

SHBUTM-(NW)(NH)

- SH Sign Holder
 BUTM Basic Upright Top Mount
 NW Nominal Width 48" (1219 mm)
 NH Nominal Height 37" (940 mm)

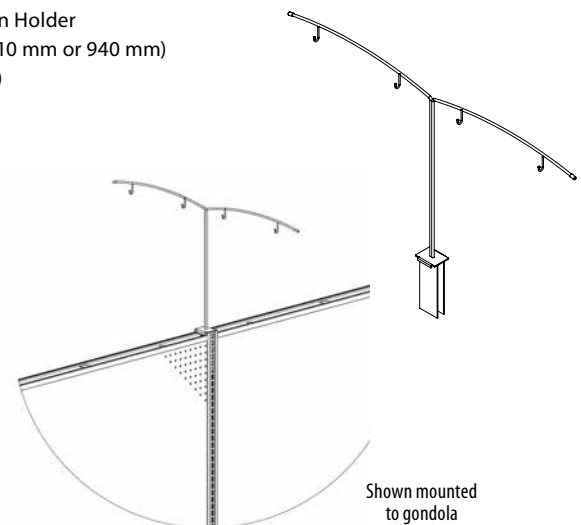


Wire Health & Beauty Aid Sign Holder

- Mounts to upright
- Four ⅛" (3 mm) hooks for displaying customer-supplied signage
- Vinyl caps included

WHBASH(NL)24

- WHBASH Wire Health & Beauty Aid Sign Holder
 NL Nominal Length 24" or 37" (610 mm or 940 mm)
 24 Nominal Height 24" (610 mm)

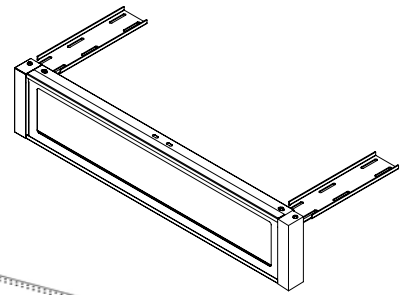
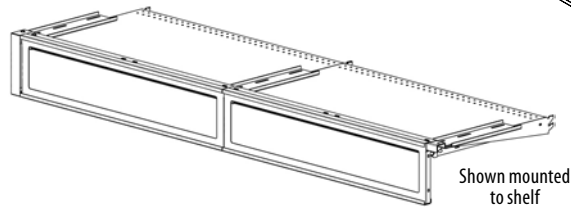


Metal Canopy Graphics Sign Holder

- Brackets mount to front perforation of shelf
- Use center bracket only for canopy lengths of 72" (1829 mm) through 96" (2438 mm)
- Hardware pack included

MCGSH-08-(NW)

MCGSH Metal Canopy Graphics Sign Holder
 08 Nominal Height 08" (203 mm)
 NW Nominal Width 36", 48", 72", 96"
 (914 mm, 1219 mm, 1829 mm, 2438 mm)

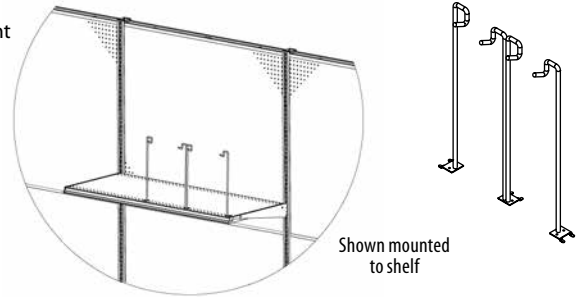


Sign Holder Shelf Mount

- Mounts directly onto shelf
- Left-hand, right-hand or center option
- Height is 14⁵/₈" (371 mm)

SHSM-(OPT)

SHSM Sign Holder Shelf Mount
 OPT RH=Right Hand
 LH=Left Hand
 C=Center

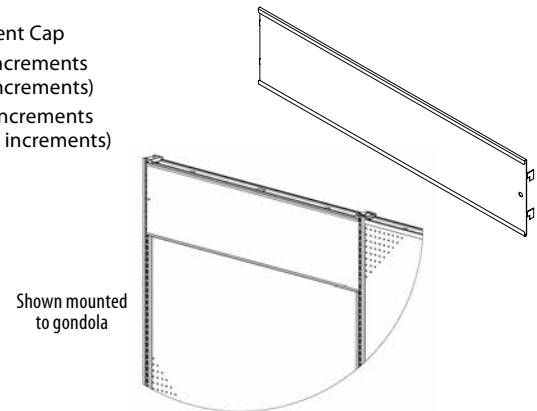


Gondola Accent Cap

- Display customer-supplied signs, pricing or accent strips in standard gondola/wall, end frames and end merchandisers
- Accommodates signage thicknesses up to 1/16" (2 mm)

ADGAC-(NH)(NW)

ADGAC Appliance Divider Gondola Accent Cap
 NH Nominal Height 4" to 12" in 2" increments
 (102 mm to 305 mm in 51 mm increments)
 NW Nominal Width 24" to 48" in 6" increments
 (610 mm to 1219 mm in 152 mm increments)

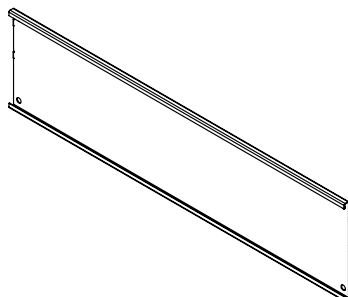


Gondola Sign Holder Flush Mount

- Mounts to Maxi Line or Luxe upright
- Graphics sizes: NW x NH

GSHFM(NW)(NH)

GSHFM Gondola Sign Holder Flush Mount
 NW Nominal Width 24", 36", or 48"
 (610 mm, 914 mm, or 1219 mm)
 NH Nominal Height 06" or 12"
 (152 mm or 305 mm)

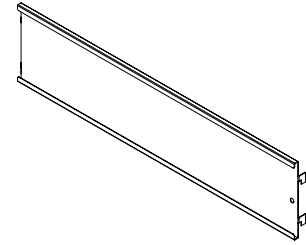


Gondola Accent Cap for ¼" Signage

- Display customer-supplied signs, pricing or accent strips in standard gondola/wall, end frames, and end merchandisers
- Accommodates signage thicknesses up to ¼" (6 mm)

ADGAC-25(NH)(NW)

ADGAC Appliance Divider Gondola Accent Cap
 25 ¼" (6 mm) Signage
 NH Nominal Height 4" to 10" in 1" increments
 (102 mm to 254 mm in 25 mm increments)
 NW Nominal Width 24" to 48" in 6" increments
 (610 mm to 1219 mm in 152 mm increments)

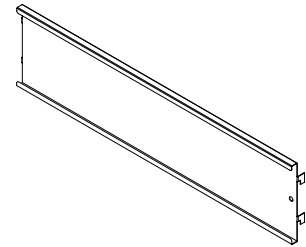


Gondola Accent Cap for ⅜" Signage

- Display customer-supplied signs, pricing, or accent strips in standard gondola/wall, end frames, and end merchandisers
- Accommodates signage thicknesses up to ⅜" (10 mm)

ADGAC-3/8(NH)(NW)

ADGAC Appliance Divider Gondola Accent Cap
 3/8 ⅜" (10 mm) Signage
 NH Nominal Height 4" to 12" in 2" increments
 (102 mm to 305 mm in 51 mm increments)
 NW Nominal Width 24" to 48" in 6" increments
 (610 mm to 1219 mm in 152 mm increments)

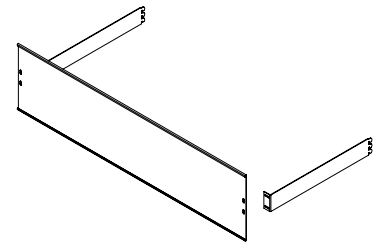


Gondola Accent Cap with Brackets

- Display customer-supplied signs, pricing, or accent strips in standard gondola/wall, end frames, and end merchandisers
- Accommodates signage thicknesses up to ¼" (6 mm)

ADGACMB-(NH)(NW)(ND)

ADGAC Appliance Divider Gondola Accent Cap
 MB Mounting Brackets
 NH Nominal Height 04" to 12" in 2" increments
 (102 mm to 305 mm in 51 mm increments)
 NW Nominal Width 24" to 48" in 6" increments
 (610 mm to 1219 mm in 152 mm increments)
 ND Nominal Height 04" to 16" in 2" increments
 (102 mm to 406 mm in 51 mm increments)

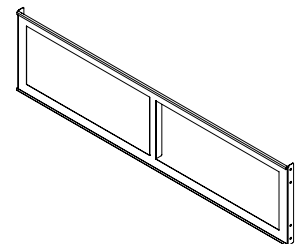


Sign Holder Gondola Mounted Extended Frame

- Accommodates signage thicknesses up to ⅜" (5 mm)
- Straight or angled 10° for better graphic visibility

SHGMEXTF(NW)(NH)

SHGM Sign Holder Gondola Mounted
 EXTF Extended Frame
 NW 36" or 48" (914 mm or 1219 mm)
 NH 12" (305 mm)



Sign Holder Gondola Mounted Extended Bracket

- Mounting brackets for SHGUEXTF
- 0° or 10° uptilt
- One required per uptilt

SHGMEXTB(ND)(OPT)

SHGM Sign Holder Gondola Mounted
 EXTB Extended Bracket
 ND Nominal Depth 20" (508 mm)
 OPT Blank=0° uptilt
 10=10° uptilt



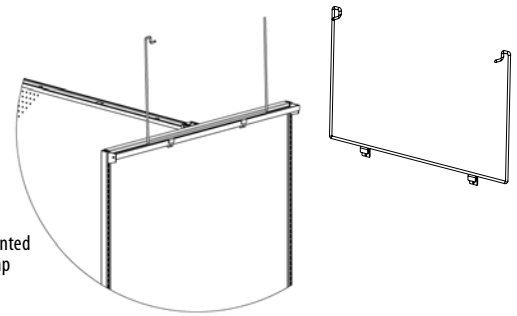
End Cap Sign Holder

- Mounts to Vertical Divider Bar

ECSH-3019

ECSH End Cap Sign Holder
 30 Nominal Width 30" (762 mm)
 19 Nominal Height 19" (483 mm)

Shown mounted to End Cap



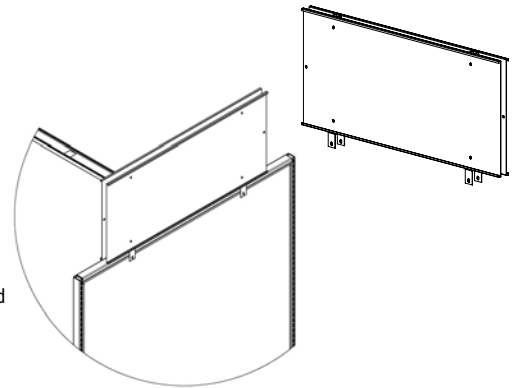
End Frame Top Mount Sign Holder

- Accommodates signage thicknesses up to 5/16" (8 mm)
- Hardware pack included

EFTMSH-(NW)(NH)

EF End Frame
 TMSH Top Mount Sign Holder
 NW Nominal Width 24", 36" or 48"
 (610 mm, 914 mm or 1219 mm)
 NH Nominal Height 4" to 18"
 in 2" increments
 (102 mm to 457 mm
 in 51 mm increments)

Shown mounted to End Frame



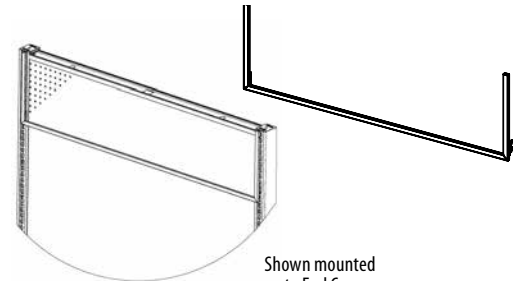
End Cap Sign Holder Basic Upright Mount

- Brackets insert directly into upright
- Accommodates signage thicknesses up to 1/4" (6 mm)

ECSHBU(NW)(NH)

ECSH End Cap Sign Holder
 BU Basic Upright Mount
 NW Nominal Width 24", 36" or 48"
 (610 mm, 914 mm or 1219 mm)
 NH Nominal Height 08" to 14"
 in 2" increments
 (203 mm to 356 mm
 in 51 mm increments)

Shown mounted to End Cap



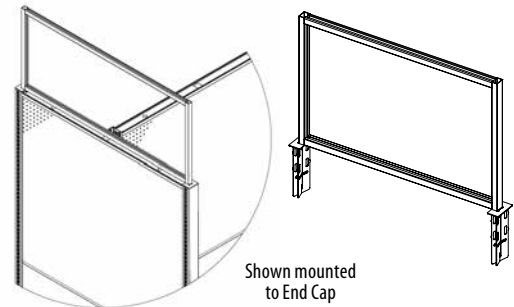
Maxi Line End Cap Sign Header

- Insert directly into upright
- Accommodates signage thicknesses up to 1/4" (6 mm)

MLECSH(NW)(NH)

ML Maxi Line
 ECSH End Cap Sign Header
 NW Nominal Width 24" to 48"
 in 6" increments
 (610 mm to 1219 mm
 in 152 mm increments)
 NH Nominal Height 18" or 20"
 (457 mm or 508 mm)

Shown mounted to End Cap



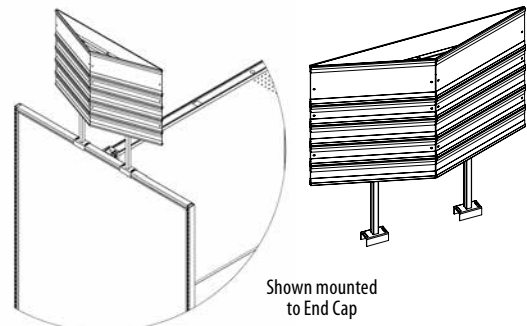
Triangular End Cap Sign Holder

- Mounts to top of End Cap for EF or TOEM only
- Available width 29 1/4" (743 mm)
- Available height 28 1/8" (714 mm)

TECSH

TEC Triangular End Cap
 SH Sign Holder

Shown mounted to End Cap

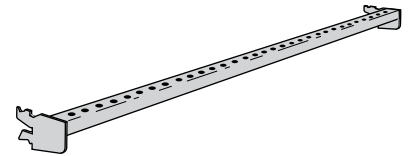


Vertical Divider Bar

- Heavy-duty brackets insert into basic upright at any height
- 1" (25 mm) square tubing with $\frac{3}{8}$ " (10 mm) diameter holes; 1" (25 mm) OC to accept Vertical Divider Arms
- One Vertical Divider Bar required per section
- Standoff distances range from 2" (51 mm) to 20" (508 mm)

VDB-(NW)(SO)

- VDB Vertical Divider Bar
 NW Nominal Width 3' or 4'
 (914 mm or 1219 mm)
 SO Standoff 2" to 20" in 2" increments
 (51 mm to 508 mm in 51 mm increments)

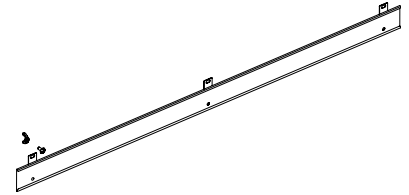


Vertical Divider Bar Dual Mounting Sign Channel

- Accessory for Vertical Divider Bar
- 2½" (64 mm) height
- Accommodates signage thicknesses up to $\frac{1}{16}$ " (2 mm)
- Hardware pack included

VDBDMSC(NW)

- VDB Vertical Divider Bar
 DMSC Dual Mounting Sign Channel
 NW Nominal Width 24" to 48" in 6" increments
 (612 mm to 1219 mm in 51 mm increments)

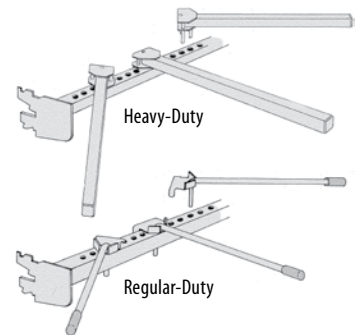


Vertical Divider Arm

- Mounts to Vertical Divider Bar
- Unique mounting attachment allows for straight or 45° placement
- Front and/or rear mount
- Available in Regular-Duty $\frac{3}{8}$ " (10 mm) diameter, red neoprene safety tip, or Heavy-Duty (1" [25 mm] square tubing, vinyl safety cap)
- Threaded option locks arm, prevents accidental dismounting
- Standard finishes: Sahara or Blue Gray

(OPT)VDA-(NL)(TYPE)

- OPT T=Threaded
 Blank=Non-threaded
 VDA Vertical Divider Arm
 NL Regular-Duty:
 06" to 20" in 2" increments
 (152 mm to 508 mm in 51 mm increments)
 Heavy-Duty:
 12" to 30" in 2" increments
 (305 mm to 762 mm in 51 mm increments)
 TYPE R=Regular-Duty
 H=Heavy-Duty

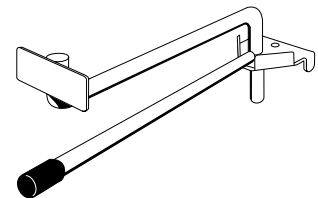


Vertical Divider Arm with Price Tag Holder

- Accessory for Vertical Divider Bar
- Unique mounting attachment allows for straight or 45° placement
- Red neoprene safety tip included
- Available in $\frac{3}{8}$ " (10 mm) or $\frac{1}{4}$ " (6 mm) wire
- Price tag holder 2" (51 mm) W x 1¼" (32 mm) H

VDA-(NL)R-PTH-(OPT)

- VDA Vertical Divider Arm
 NL Nominal Length 06" to 20" in 2" increments
 (152 mm to 508 mm in 51 mm increments)
 R Regular Duty
 PTH Price Tag Holder
 OPT Blank= $\frac{3}{8}$ " Wire
 239= $\frac{1}{4}$ " Wire

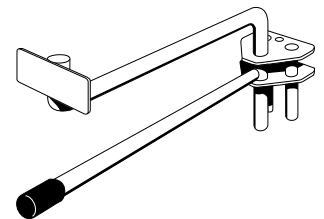


Vertical Divider Arm Heavy-Duty Scan Hook

- Accessory for Vertical Divider Bar
- Unique mounting attachment allows for straight or 45° placement
- Red neoprene safety tip included
- Available in $\frac{3}{8}$ " (10 mm) or $\frac{1}{4}$ " (6 mm) wire
- Scan plate 2 $\frac{3}{8}$ " (67 mm) W x 1 $\frac{1}{8}$ " (29 mm) H

VDAHDSH-(NL)-(OPT)

- VDA Vertical Divider Arm
 HDSH Heavy-Duty Scan Hook
 NL Nominal Length 06" to 20" in 2" increments
 (152 mm to 508 mm in 51 mm increments)
 OPT Blank= $\frac{3}{8}$ " Wire
 239= $\frac{1}{4}$ " Wire

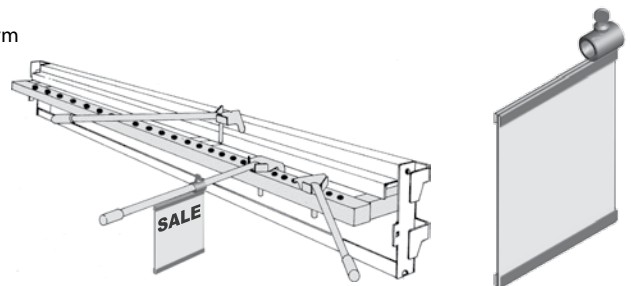


Vertical Divider Arm Sign Holder

- Accessory for Vertical Divider Arms
- Easier to place sign near products
- Extends outward from merchandise where consumers are provided product information at a quick glance
- Holds 4 $\frac{3}{8}$ " (111 mm) W x 5 $\frac{1}{2}$ " (140 mm) H customer-supplied sign
- Requires Vertical Divider Bar and Vertical Divider Arms

VDASH

- VDA Vertical Divider Arm
 SH Sign Holder



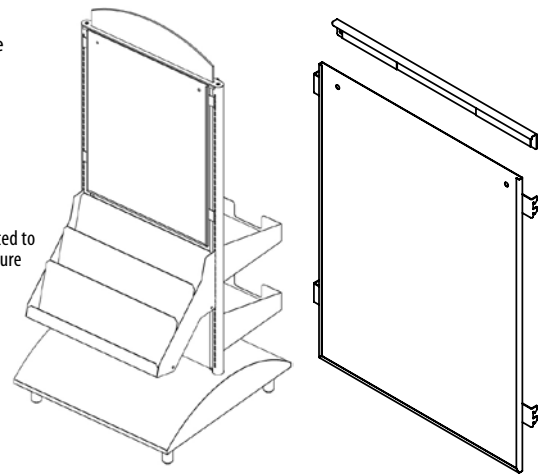
Greeter Fixture Graphics Frame

- Accessory for Greeter Fixture
- Display customer-supplied signage 24" (610 mm) W x 28" (711 mm) H
- Accommodates signage thicknesses up to 5/16" (8 mm)

CWGFGF-(NW)(NH)

CWGFGF.... Greeter Fixture Graphics Frame
 NW Nominal Width 24" (610 mm)
 NH Nominal Height 28" (711 mm)

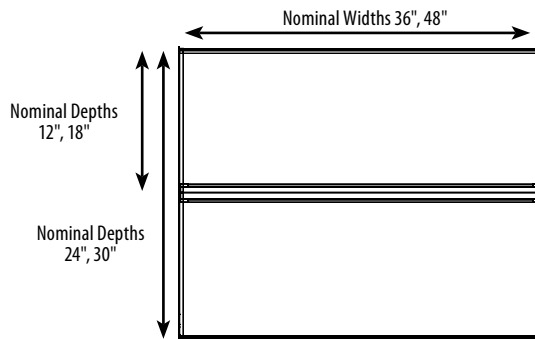
Shown mounted to Greeter Fixture



Wing Shelf Sign Holder, 3 Position

- 15°, 30°, and 45° angles
- Customer-supplied signage dimensions:
 - Widths: 36" (914 mm) or 48" (1219 mm)
 - Heights: please refer to chart
 - Thickness: 1/4" (6 mm)

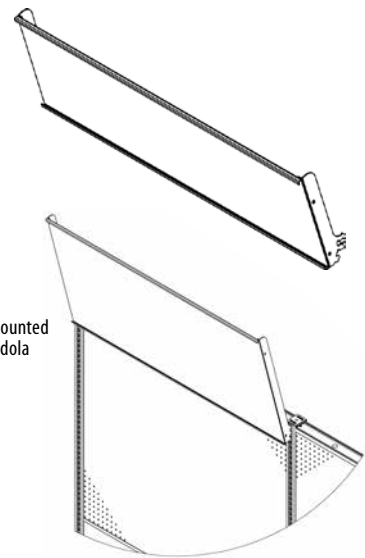
| Nominal Depth | Sign Height | Quantity Needed |
|---------------|-------------|-----------------|
| 12" | 11.875" | 1 |
| 18" | 17.875" | 1 |
| 24" | 11.875" | 2 |
| 30" | 14.875" | 2 |



WSSH3P-(NW)(ND)

WSSH Wing Shelf Sign Holder
 3P Three Position
 NW Nominal Width 36" or 48" (914 mm or 1219 mm)
 ND Nominal Depth 12", 18", 24", 30" (305 mm, 457 mm, 610 mm, 762 mm)

Shown mounted to gondola

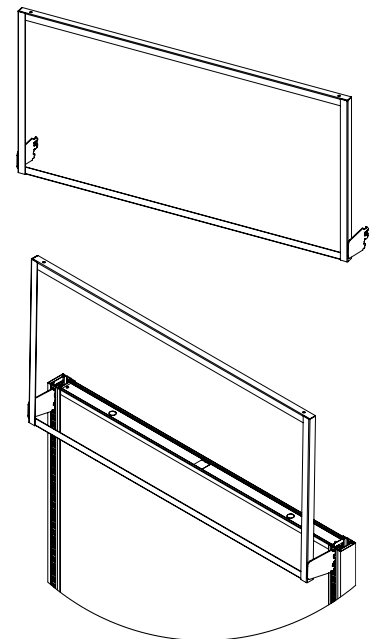


Gondola Header Sign, Basic Upright Mounted

- Customer-supplied signage dimensions:
 - (NW) - .562" x (NH) - .188" (14 mm x 5 mm)
- Thickness: 1/4" (6 mm)

GHSBABUM(NW)(ND)

GHSBABUM.... Gondola Header Sign Holder Angled
 BUM Basic Upright Mount
 NW Nominal Width 36" or 48" (914 mm or 1219 mm)
 NH Nominal Height 6" to 36" in 1" increments (152 mm to 914 mm in 25 mm increments)



Oversize Sign Track System

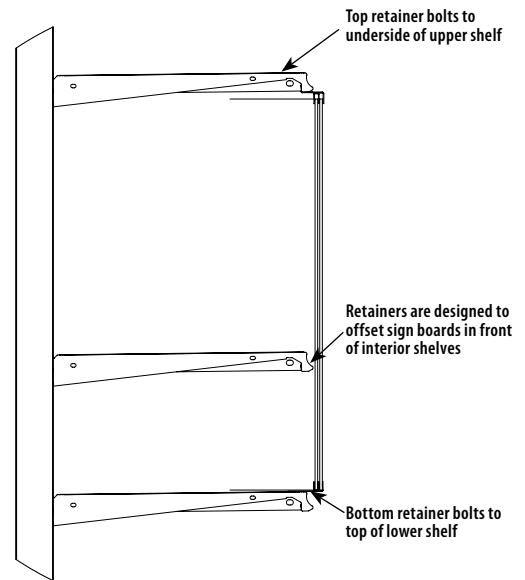
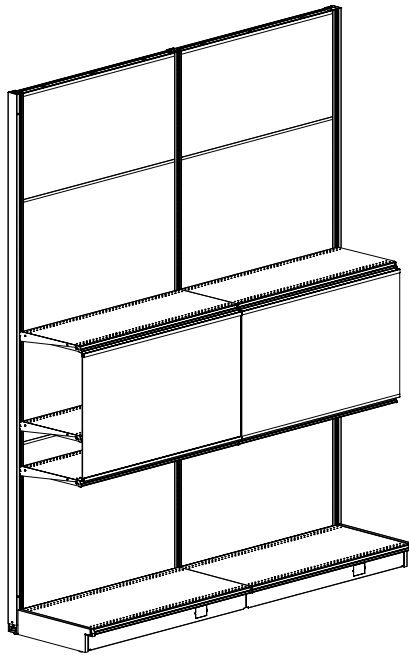
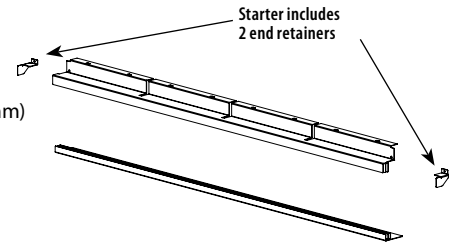
- Used with Maxi Line, Tube Line, and T-Rack shelving to convert to a sliding track sign holder
- Creates covered storage space; panels can slide for full and easy access to stock
- May be ordered as starter or add-on
- System allows access to tag molding for label insertion
- Can be painted to match shelving color
- Can be ordered in multiple lengths to work shelving run

OSSBTS(NW)(OPT)

OSSBTS Oversize Sign Track Sys

NW Nominal Width 24", 36", 48", 60", 72",
84", 96" (610 mm, 914 mm, 1219 mm,
1524 mm, 1829 mm, 2134 mm, 2438 mm)

OPT S=Starter
A=Add-on



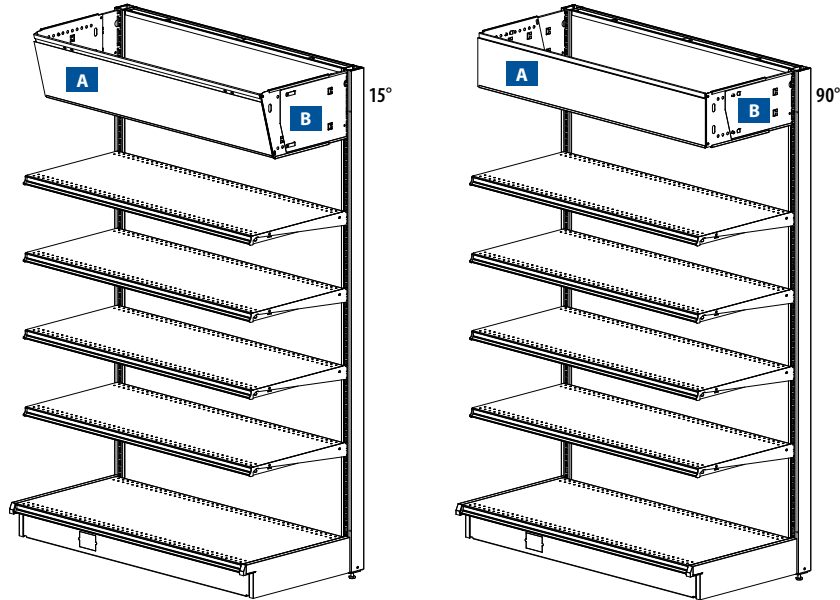
Open



Closed

Lift and Drop Graphics

This versatile sign channel can be mounted using either fixed or adjustable brackets (directly to the upright, if so desired). With adjustable brackets, the graphic panel can be installed and tilted at either a 90° or 15° angle.



A Lift and Drop Graphics Header Sign Channel

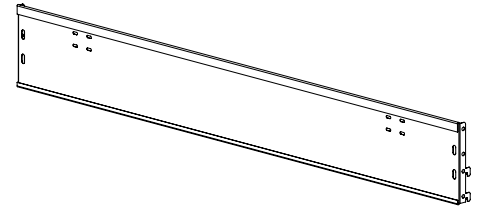
- Can be mounted using adjustable brackets, Lift and Drop Graphics Header Bracket Assembly [LDGHBA(NH)(14-24)(HAND)]
- Attaches directly to upright or mounts using Fixed Brackets [SBOEPP-(ND)]
- Graphic Panel can be installed flat at 90° or tilted down at 15° when using adjustable brackets
- Customer-supplied graphics can wrap around on adjustable returns
- Graphic sizes: NW x NH
- Sign can be no thicker than 1/8" (3 mm)

LDGHSC(NW)(NH)

LDGHSCLift and Drop Graphics Header Sign Channel

NWNominal Width 24", 36", or 48"
(610 mm, 914 mm, or 1219 mm)

NHNominal Height
0500=5" (127 mm)
0600=6" (152 mm)
0800=8" (203 mm)
1025=10 1/4" (260 mm)
1600=16" (406 mm)



B Lift and Drop Graphics Header Bracket Assembly

- Graphic Panel can be installed flat at 90° or tilted down at 15° when using adjustable brackets
- Customer-supplied graphics can wrap around on adjustable returns
- Order left hand and right hand as facing section
- Center uprights can use either left-hand or right-hand bracket
- Graphic sizes: NW x NH
- Sign can be no thicker than 1/8" (3 mm)

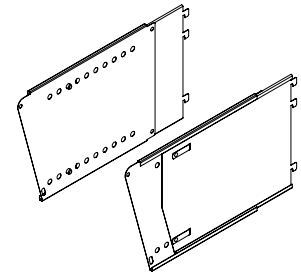
LDGHBA(NH)(14-24)(HAND)

LDGHBALift and Drop Graphics Header Bracket Assembly

NHNominal Height
0500=5" (127 mm)
0600=6" (152 mm)
0800=8" (203 mm)
1025=10 1/4" (260 mm)
1600=16" (406 mm)

14-24Nominal Depth Range 14" to 24"
(356 mm to 610 mm)

HandR=Right Hand
L=Left Hand



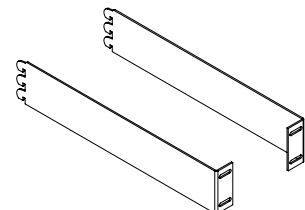
Straight in Bracket

- Can be used with LDGHSC(NW)(NH)
- Order left hand and right hand as facing section
- Hardware pack included
- Order in pairs

SBOEPP-(ND)

SBOEPPStraight in Bracket

NDNominal Depth
04" to 24" in 2" increments
(102 mm to 610 mm in 51 mm increments)



Lift and Drop Graphics Holder Wall Signage End Panel

- Easy-to-install signs can be placed in the end panel from the front by bowing in, or dropped in from the top of the panel
- Easy-bend tab bracket, eliminates the need to order left hand and right hand panel
- Graphic sizes:
 - Sign height=nominal height-base height (5" or 7", 127 mm or 178 mm)
 - Sign depth=nominal depth- $\frac{1}{8}$ " (3 mm)
- Sign can be no thicker than .260" (6 mm)
- The Lift and Drop Graphics Header Sign Channel [LDGHSC(NW)(NH)] can be mounted to the top front of the panels

LDGHWSEP(NH)(ND)-(BH)

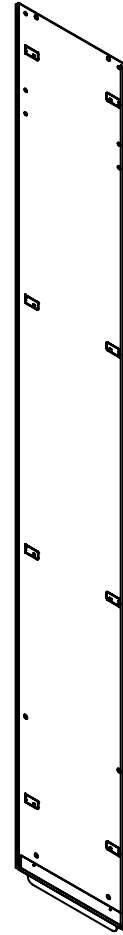
LDGH Lift and Drop Graphics

WSEP Wall Signage End Panel

NH Nominal Height 60", 72", 84", or 90"
(1524 mm, 1829 mm, 2134 mm, or 2286 mm)

ND 12" or 18" (305 mm or 457 mm)

BH Base Height
Blank=5" (127 mm)
7=7" (178 mm)



Prices

All prices are subject to change without notice. Every effort will be made to give advance notice of any increase through notification from the home office. The customer will receive an acknowledgement showing prevailing prices at the time the order is processed. State or other sales or use taxes, freight and surcharges will be charged when applicable. Freight quotes may be provided based upon information available at time of quote, but are not guaranteed. Active freight charges will be billed if applicable. When market conditions dictate, a surcharge may be implemented. All quotations automatically expire at the end of 30 days.

Terms

Cash in advance prior to production or net 30 days if open account status is approved by Madix Credit Department. MasterCard, Visa, and American Express are accepted.

Acceptance

All orders, contracts, and agreements are subject to Madix's acceptance and approval. Madix shall not be liable for any delay in the performance of any order, contract, in the delivery of any goods, or for any damages resulting from such delay, when such delay is directly or indirectly caused by or due to fire, flood, accident, riot, act of God, war, governmental decree or order, strike, labor difficulties, shortage of labor, fuel, power, material or supplies, transportation delay or any other delay or causes (whether or not similar to any of those herein before specified) beyond our reasonable control. Order acceptance will be per the conditions and terms outlined in Madix's acknowledgement. Mailing of the acknowledgement will signify Madix's acceptance of the order.

Minimum Charge

All orders less than \$50.00 net (merchandise only) will be invoiced at \$50.00.

Charges and Cancellations

Customer requested changes and cancellations are subject to approval by Madix. Every reasonable effort will be made to accommodate these requests without additional cost to the customer. Any manufacturing or engineering costs incurred will be charged to the customer. Orders produced and delayed for more than one week may incur charges for demurrage, unloading, or other storage costs. Madix will advise customers of the estimated charges at the time changes or cancellations are made.

Shipments

Method and route of shipment are at Madix's discretion unless Madix is furnished with complete shipping instructions at least ten (10) days before the scheduled shipping date. Freight is FOB/EXW Madix shipping point.

Freight Claims

For common carrier shipments, claims must be made directly with the carrier by the recipient. Listed are the types of losses which may occur, and your responsibility in handling them:

Loss of Freight: It is the receiver's responsibility to count the freight at the time of delivery. Any exception must be noted on the carrier's delivery receipt at time of delivery.

Damage of Freight: As with a loss of freight, damage of freight must be noted on the carrier's delivery receipt at the time of delivery. It is the receiver's responsibility to make sure that the freight is inspected for visible damage and that the number of pieces damaged is marked on the carrier's delivery receipt. Failure to note visible damage at the time of delivery will result in non-payment of a damage freight claim. Salvage must be held for the carrier.

Concealed Damage: If goods are received in apparently good condition but there is concealed damage, it is the customer's responsibility to contact your Madix Service Representative within 15 calendar days from delivery. Customer must keep the product and the packaging so that an inspection may be conducted by the carrier. Failure to handle a concealed damage claim in this manner could greatly reduce the amount recovered from the carrier.

Returned Goods

Returned Goods requests must be submitted to Madix, Inc. within 60 days after receipt of product. Authorization must be in writing on Madix's RGA (Return Goods Authorization) form. Goods must be received within 30 days of RGA issue date for credit. Only Code A products finished in returnable colors as indicated on the finish policy pages will be considered for return, and only items in unused, in resalable condition, and in the original packaging. No special size, color, or specially manufactured parts or products are eligible for return unless sent to the customer as the result of an error by Madix. Only merchandise listed on the RGA will be accepted for conditional return. Credit will not be issued for that portion of merchandise that is not considered resalable. A handling and restocking charge of 25% of the invoice price will be charged for all approved returns. Submit requests to your Madix Sales Representative or Customer Service Department prior to returning any merchandise. All returns must have the customer name and Madix RGA number prominently displayed on each package. Product to be shipped prepaid at customer's expense unless prior approval has been received from an authorized Madix Representative.

Warranty

We warrant to the original purchaser that all products manufactured by Madix are free from defects in material and workmanship. This warranty is invalid if products or parts are modified or used in a manner other than the intended purpose. Our obligation under this warranty is limited to repairing or replacing of any part or parts which shall, within one (1) year after delivery to the original purchaser, be demonstrated to be defective under normal use and service. This warranty is in lieu of all other warranties, expressed or implied, and of all other obligations or liabilities of any kind on Madix's part, and no modification of this warranty shall be valid or binding unless in writing and signed by an officer of Madix, Inc.

**POSSESSION OF THIS CATALOG IS NOT AUTHORIZATION TO SELL MADIX PRODUCTS!
ALL FACTORY QUOTES ARE GOOD FOR 30 DAYS ONLY.**

Codes

In your planning stage, consult with local municipal engineers to determine what codes and restrictions will be applicable in the locations where the shelving will be used. Codes may include: state, local, fire, building, and health and safety codes. Seismic requirements may apply in some locations. For example, in most locations fire codes state that fixtures need to be at least 18 inches below the sprinklers.

Shelving Selection

Take into consideration the load that is expected not only on each shelf but also on the unit as a whole. Take into account the upright capacity. Refer to the load capacity information that is in the Madix Standard Catalog. Madix shelves are rated using an evenly distributed load. Do not install shelves or accessories that extend beyond the depth of the Base Shelves. Consider making the Base Shelves and low height fixtures a contrasting color from the floor's color to prevent potential tripping hazards. Do not use Madix parts or accessories for any purpose other than originally intended by Madix.

Shelving Installation

Initial installation or relocation of Madix shelving should be supervised by qualified personnel. Madix products should be installed according to Madix's specifications. Madix's installation sequence must be followed for assembly and leveling. An improperly installed store fixture has a poor appearance and may cause a dangerous condition. Be especially careful when leveling fixtures with offset loads in which one side of the fixture has a considerably heavier load than the other side. Dismantling and reassembling used Madix shelving can be dangerous if the installers who are doing the work leave out parts, use damaged parts, or do not reassemble the product by Madix's specifications. Do not alter, modify, or structurally change any shelving component. Do not move assembled shelving. Only parts and accessories that are produced and supplied by Madix are covered by the Madix warranty. Do not assemble Madix fixtures with parts from other manufacturers. Under no circumstances should you use damaged parts. When assembling Gondola/Wall Shelving, install Kickplates to protect the Base Shoes from floor cleaning equipment and to offset the possible bumping and misalignment of the shelving runs. Do not install shelves or accessories on the sides of wall sections or any section that is not supported by Base Shoes. Use caution when handling and transporting shelving parts. Be careful when cutting shrink wrap from pallets because the shelving parts can dislodge from the wrap and fall. Cut the wrap gradually from the top, only as much as you need to remove the product from the top. Two common hazards while installing store fixtures are: employees hurting themselves with improper types of box cutters and employees putting boxes on the floor and then tripping over them.

Anchoring and Floors

Depending on code requirements and Madix's specifications, some products must be anchored to the walls and/or floors. Do not lean tall or heavy objects against unanchored shelving systems. Retailers must consider the type of floor upon which the shelving will be installed.

Impact Loading

Impact during the loading and unloading of merchandise can create an adverse loading situation and may result in damage to or failure of the Madix shelving. Do not walk or climb on Madix shelving.

Overturning

Overloading the top portion of the shelving, non-uniform loading, out-of-plumb installation, and impact can cause shelving to overturn. Improperly installed Madix shelving with offset loads can cause store fixtures to collapse. Carefully follow Madix's installation instructions in order to prevent shelving from overturning.

Additional Shelving Safety Pointers

Product loading instructions are included with each Madix order. Retailers must make merchandisers aware of the product's load limitations and the dangers of overloading the shelving. Remove any merchandise or overstock before attempting to move Madix shelving. Periodically inspect your Madix shelving for damaged or loose parts. Make sure that shelves and accessories are properly seated in the slotting or perforations. Make sure that shelves and accessories are not overloaded. As merchandising changes, beware of creating offset loads on shelving runs that are not properly leveled. Look for leveling warning signs such as increased gaps between shelves or accessories that may indicate that the shelving runs need re-leveling. Damage to Madix shelving is dangerous. In some cases, the shelving should be unloaded immediately and repaired or replaced before returning to service. Re-level fixtures that you have bumped or moved. Incorporate safety into your merchandising strategy. When possible, merchandise the heavier products on the lower shelves. If the merchandise will not fit on the Madix shelves and there is a replenishment cycle, make sure that the cycle is a safe one. Make sure that merchandise and overstock are properly stacked and maintained so that items will not fall into the aisles. Assure that customers who handle merchandise or overstock will not push product from one side of the Madix fixture to the other side where people could be injured from falling merchandise. Safely secure overstock that is placed on Madix shelves overhead. Measure the difficulty that your employees have in retrieving overstock, and consider whether employees or customers could be injured if the product happens to fall from the shelving units. Teach employees and inform customers that Madix shelves should never be used as ladders to reach higher shelves. Ladders should be clearly marked for employees use only and should not be left unattended, or customers will try to remove stock on higher shelves by themselves. Notify customers to ask for assistance when they need product that is out of their reach.

Finish Policy for Metal Products

Standard Colors, Returnable– Code A

Madix standard returnable colors for display shelving are Sahara, Blue Gray, Oyster, Snow White, and Satin Black. Madix standard returnable colors for wire products only are Powder Chrome and Silver Vein. All catalog items are priced in standard color.

No Charge Colors (Non-Returnable)– Code B

Madix non-returnable colors offered at the standard price are Chocolate, Dove Gray, Dover White, Fashion Gray, Skyline Gray and Tru Gray. All catalog items are priced in standard color.

Optional Colors-Level I Finishes (Non-Returnable)– Code B

Madix offers optional colors, also known as Grade I Finishes, at additional charge: Bright Orange, Hollyberry, Hunter Green, Mandarin, Neon Blue, Spectrum Blue, Spectrum Green, Spectrum Red and Valencia. Products painted with these colors are non-returnable.

Metal Components: \$350.00 line charge plus published per-piece charge.

Metal Back panels: \$350.00 line charge plus published per-piece charge.

Special Colors– Code C

Use line change charge plus per piece charge supplied by customer service. Special colors are non-returnable.

Pricing For Levels II To IV:

Level II: 1.6 x Optional Color Upcharge. Example: Optional upcharge for SUS is \$1.50; upcharge with Level II finish will be \$2.40.

Level III: 2.8 x Optional Color Upcharge. Example: Optional upcharge for SUS is \$1.50; upcharge with Level III finish will be \$4.20.

Level IV: 3.8 x Optional Color Upcharge. Example: Optional upcharge for SUS is \$1.50; upcharge with Level IV finish will be \$5.70.

Metal Components: \$500.00 line charge plus published per-piece charge.

Back panels: \$350.00 line charge plus published per-piece charge.

Maintenance for Metal Products

Baked Enamel and Powder Coated Finishes

All metal parts are finished with a specially formulated high solids or powder which are electrostatically bonded in a unique multi-stage process to insure the highest quality finish. Aerosol cans of touch-up paint are available in Madix's standard and optional colors. FAA regulations prohibit the shipment of this product by air or in export containers by air or ocean to countries outside the United States.

Product Maintenance

When cleaning Madix shelving, use a non-abrasive mild detergent and warm water, followed by thorough drying. Using a soft white cotton cloth is strongly recommended. Cleaning products containing abrasives, bleach, or strong solvents will result in damage to the finish, especially when used on colors containing leafing aluminum pigment, such as powder chrome or vein-type finishes.

Finish Policy for Wood Products

High Pressure Laminate

The terms "laminate" or "HPL" are commonly applied to this material which consists of multiple layers of paper infused with phenolic resin and topped by a finish paper coated with clear melamine resin, all totally bonded under high pressure and heat. The finished sheet has extremely high wear and impact resistance.

Customer Specified High Pressure Laminate

Madix coding is based on Wilsonart availability. Laminates other than Wilsonart may require additional lead time.

- Customer specified laminates add \$100.00 per pattern, per order
- Additional charge will apply based on the laminate grade that is chosen

Laminates that are not from a laminate manufacturer's standard samples (metallics, heavy textures, wet looks, core edge, special prints) will require a special quote. Contact Customer Service for specific pricing on laminates not listed above.

Thermofused Panels

Thermofused panels are ideal for non-wear surfaces and have substantial impact and wear characteristics compared to melamine panels previously available. The product is produced using hot press laminating polyester or melamine resin impregnated self-bonding paper to wood substrate. Performance specifications are available from the American Laminations Association. Madix does not recommend the use of Thermofused panels on horizontal or other wear surfaces.

Printed Mirror Hardboard

Printed materials are primarily used for back panels, but appear as various other products. These materials are carefully cross matched to the corresponding laminates and Thermofused. Mylar mirror hardboard is used in the same applications and is also available in pegboard and grooved pegboard.

NOTE!

See Finishes Brochure for color samples.

Alphabetical & Numerical Index

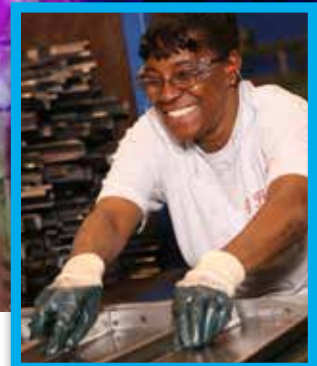
| Part Name | Part Number | Page Number |
|--|--------------------------------|--------------------|
| D | | |
| Double Stem Sign Holder for Top Spanner..... | DSSHFTS..... | 16 |
| E | | |
| Easel SB Digital..... | EASEL-SB(NW)(ND)..... | 3 |
| End Cap Sign Holder..... | ECSH-3019..... | 20 |
| End Cap Sign Holder Basic Upright Mount..... | ECSHBU(NW)(NH)..... | 20 |
| End Frame Top Mount Sign Holder..... | EFTMSH-(NW)(NH)..... | 20 |
| F | | |
| Flat Panel TV Mounting Bar..... | FPTVMB(NW)(ND)(NH)..... | 9 |
| Flat Panel LCD TV Crossbar..... | LCDTVCB(NW)..... | 8 |
| G | | |
| Gondola Accent Cap..... | ADGAC-(NH)(NW)..... | 18 |
| Gondola Accent Cap for 3/4" Signage..... | ADGAC-25(NH)(NW)..... | 19 |
| Gondola Accent Cap for 3/8" Signage..... | ADGAC-3/8(NH)(NW)..... | 19 |
| Gondola Accent Cap with Bracket..... | ADGACMB-(NH)(NW)(ND)..... | 19 |
| Gondola Header Sign, Basic Upright Mounted..... | GSHABUM(NW)(ND)..... | 22 |
| Gondola Sign Holder Flush Mount..... | GSHFM(NW)(NH)..... | 18 |
| Greeter Fixture Graphics Frame..... | CWGFGE-(NW)(NH)..... | 22 |
| H | | |
| HDTV Sign Holder for Vertical Divider Bar..... | HDTVSHRGVDB3511..... | 10 |
| HDTV Panel System..... | | 5-7 |
| HDTV System AC/DC Panel..... | TLBWACDC(NW)(OPT)(PWR)..... | 6 |
| HDTV System AC/DC Panel with HDMI..... | TLBWACDC(NW)(HDMI)(PWR)..... | 6 |
| HDTV System AC Only Panel..... | TLBWAC(NW)(PWR)..... | 6 |
| L | | |
| Lift and Drop Graphics..... | | 24 |
| Lift and Drop Graphics Header Bracket Assembly..... | LDGHBA(NH)(14-24)(HAND)..... | 24 |
| Lift and Drop Graphics Header Sign Channel..... | LDGHSC(NW)(NH)..... | 24 |
| Lift and Drop Graphics Holder Wall Signage End Panel..... | LDGHWSEP(NH)(ND)-(BH)..... | 25 |
| Lighted Upper Shelf Assembly Step Back Shelf..... | LUSASTB-(NW)(ND)(SO)-(TO)..... | 4 |
| Lumiback Back Panel Adapter Set—Single Track..... | LSBPASS-(NW)(NH)..... | 15 |
| Lumiback Back Panel Adapter Set—Triple Track..... | LSBPAST-(NW)(NH)..... | 15 |
| Lumiback Ext. Back Panel Adapter Set—Single Track..... | LSBPASES-(NW)(NH)..... | 15 |
| Lumiback Ext. Back Panel Adapter Set—Triple Track..... | LSBPASET-(NW)(NH)..... | 15 |
| Lumiback Single Back Panel Adapter Set..... | LSBPAS-(NW)(NH)..... | 14 |
| Lumiback Single Back Panel Adapter Set—Extension..... | LSBPASE-(NW)(NH)..... | 14 |
| Lumiback Single Side Back Panel Extension..... | LSSBE-(NW)(NH)-(R)..... | 13 |
| Lumiback Single Side Back Panels..... | LSSSB-(NW)(NH)-(R)..... | 13 |
| Lumiback Triple Back Panel..... | LSSTB-(NW)(NH)-(R)..... | 13 |
| Lumiback Triple Back Panel Extension..... | LSSTBE-(NW)(NH)-(R)..... | 13 |
| Lumicanopy..... | | 11-12 |
| Lumisheet Metal Canopy..... | LSMC(NW)(NH)..... | 12 |
| Lumisheet Metal Canopy Bracket..... | LSMCB(ND)..... | 12 |
| Lumisheet Metal Canopy End Cover..... | LSMCEC(ND)(NH)(HAND)..... | 12 |
| Lumisheet Canopy Panel..... | LSSC(NW)(NH)-R..... | 12 |
| M | | |
| Metal Canopy Graphics Sign Holder..... | MCGSH-08-(NW)..... | 18 |
| Maxi Line End Cap Sign Header..... | MLECSH(NW)(NH)..... | 20 |
| O | | |
| Oversize Sign Track System..... | OSSBTS(NW)(OPT)..... | 23 |
| P | | |
| Pallet Rack TV Bracket..... | LCDTVCPREM(NW)..... | 9 |
| S | | |
| Sign Holder Basic Upright Top Mount..... | SHBUTM-(NW)(NH)..... | 17 |
| Sign Holder Gondola Mounted Extended Bracket..... | SHGMEXTB(NW)(NH)..... | 19 |
| Sign Holder Gondola Mounted Extended Frame..... | SHGMEXTF(NW)(NH)..... | 19 |
| Sign Holder Shelf Mount..... | SHSM-(OPT)..... | 18 |
| Spider Cables for LED Products..... | LSS(OPT)WC..... | 12 |
| Step Back Shelf..... | STBS-(NW)(ND)(SO)..... | 4 |
| Step Back Shelf, Lighted Upper Shelf Assembly..... | LUSASTB-(NW)(ND)(SO)-(TO)..... | 4 |
| Straight in Bracket..... | SBOEPP-(ND)..... | 24 |
| T | | |
| Three Position Overhead Flat Panel TV Attach Brkt..... | TPOPTAB(NH)..... | 10 |
| Three Position Overhead Flat Panel TV Attach Brkt Sign Holder..... | TPOPTAB(NH)..... | 10 |
| Top Spanner Sign Holder..... | STLSHM-(NW)(NH)..... | 16 |
| Top Spanner with Sign Channel..... | CTSSC(NW)..... | 16 |
| Transformer for LED Products..... | LSST5A..... | 12 |
| Triangular End Cap Sign Holder..... | TECSH..... | 20 |
| TV Crossbar for Maxi Line..... | MOFPTCB(NW)(ND)..... | 10 |
| TV Mount for Crossbar..... | CBMUPTVB..... | 8 |
| TV Mounting Plate..... | TVMP(NW)(NH)..... | 9 |
| TV Wall AC Electrical Kit..... | TLTVBACKIT20(NL)..... | 7 |
| V | | |
| Vertical Divider Arm..... | VDA-(NL)(TYPE)..... | 21 |
| Vertical Divider Arm Heavy-Duty Scan Hook..... | VDAHDSH-(NL)-(OPT)..... | 21 |
| Vertical Divider Arm Sign Holder..... | VDASH..... | 21 |
| Vertical Divider Arm with Price Tag Holder..... | VDA-(NL)R-PTH-(OPT)..... | 21 |
| Vertical Divider Bar..... | VDB-(NW)(SO)..... | 21 |
| Vertical Divider Bar Dual Mounting Sign Channel..... | VDBDMSC(NW)..... | 21 |
| Vertical End Cover Extension with Sign Channel..... | EVCS-(NH)..... | 17 |
| W | | |
| Wing Shelf Sign Holder, 3 Position..... | WSSH3P-(NW)(ND)..... | 22 |
| Wire Health & Beauty Aid Sign Holder..... | WHBASH(NL)24..... | 17 |

| Part Number | Part Name | Page Number |
|--------------------------------|--|--------------------|
| A | | |
| ADGAC-(NH)(NW)..... | Gondola Accent Cap..... | 18 |
| ADGAC-25(NH)(NW)..... | Gondola Accent Cap for 3/4" Signage..... | 19 |
| ADGAC-3/8(NH)(NW)..... | Gondola Accent Cap for 3/8" Signage..... | 19 |
| ADGACMB-(NH)(NW)(ND)..... | Gondola Accent Cap with Bracket..... | 19 |
| C | | |
| CBMUPTVB..... | TV Mount for Crossbar..... | 8 |
| CTSSC(NW)..... | Top Spanner with Sign Channel..... | 16 |
| CWGFGE-(NW)(NH)..... | Greeter Fixture Graphics Frame..... | 22 |
| D | | |
| DSSHFTS..... | Double Stem Sign Holder for Top Spanner..... | 16 |
| E | | |
| EASEL-SB(NW)(ND)..... | Easel SB Digital..... | 3 |
| ECSH-3019..... | End Cap Sign Holder..... | 20 |
| ECSHBU(NW)(NH)..... | End Cap Sign Holder Basic Upright Mount..... | 20 |
| EFTMSH-(NW)(NH)..... | End Frame Top Mount Sign Holder..... | 20 |
| EVCS-(NH)..... | Vertical End Cover Extension with Sign Channel..... | 17 |
| F | | |
| FPTVMB(NW)(ND)(NH)..... | Flat Panel TV Mounting Bar..... | 9 |
| G | | |
| GSHABUM(NW)(ND)..... | Gondola Header Sign, Basic Upright Mounted..... | 22 |
| GSHFM(NW)(NH)..... | Gondola Sign Holder Flush Mount..... | 18 |
| H | | |
| HDTVSHRGVDB3511..... | HDTV Sign Holder for Vertical Divider Bar..... | 10 |
| L | | |
| LCDTVCB(NW)..... | Flat Panel LCD TV Crossbar..... | 8 |
| LCDTVCPREM(NW)..... | Pallet Rack TV Bracket..... | 9 |
| LDGHBA(NH)(14-24)(HAND)..... | Lift and Drop Graphics Header Bracket Assembly..... | 24 |
| LDGHSC(NW)(NH)..... | Lift and Drop Graphics Header Sign Channel..... | 24 |
| LDGHWSEP(NH)(ND)-(BH)..... | Lift and Drop Graphics Holder Wall Signage End Panel..... | 25 |
| LSBPASS-(NW)(NH)..... | Lumiback Back Panel Adapter Set..... | 14 |
| LSBPASES-(NW)(NH)..... | Lumiback Single Back Panel Adapter Set—Extension..... | 14 |
| LSBPASES-(NW)(NH)..... | Lumiback Ext. Back Panel Adapter Set—Single Track..... | 15 |
| LSBPASET-(NW)(NH)..... | Lumiback Ext. Back Panel Adapter Set—Triple Track..... | 15 |
| LSBPAS-(NW)(NH)..... | Lumiback Single Back Panel Adapter Set..... | 14 |
| LSBPASE-(NW)(NH)..... | Lumiback Single Back Panel Adapter Set—Extension..... | 14 |
| LSSBE-(NW)(NH)-(R)..... | Lumiback Single Side Back Panel Extension..... | 13 |
| LSSSB-(NW)(NH)-(R)..... | Lumiback Single Side Back Panels..... | 13 |
| LSSTB-(NW)(NH)-(R)..... | Lumiback Triple Back Panel..... | 13 |
| LSSTBE-(NW)(NH)-(R)..... | Lumiback Triple Back Panel Extension..... | 13 |
| LSMC(NW)(NH)..... | Lumisheet Metal Canopy..... | 12 |
| LSMCB(ND)..... | Lumisheet Metal Canopy Bracket..... | 12 |
| LSMCEC(ND)(NH)(HAND)..... | Lumisheet Metal Canopy End Cover..... | 12 |
| LSS(OPT)WC..... | Spider Cables for LED Products..... | 12 |
| LSSBE-(NW)(NH)-(R)..... | Lumiback Single Side Back Panel Extension..... | 13 |
| LSSC(NW)(NH)-R..... | Lumisheet Canopy Panel..... | 12 |
| LSSSB-(NW)(NH)-(R)..... | Lumiback Single Side Back Panels..... | 13 |
| LSST5A..... | Transformer for LED Products..... | 12 |
| LSSTB-(NW)(NH)-(R)..... | Lumiback Triple Back Panel..... | 13 |
| LSSTBE-(NW)(NH)-(R)..... | Lumiback Triple Back Panel Extension..... | 13 |
| LUSASTB-(NW)(ND)(SO)-(TO)..... | Lighted Upper Shelf Assembly Step Back Shelf..... | 4 |
| LUSASTB-(NW)(ND)(SO)-(TO)..... | Step Back Shelf, Lighted Upper Shelf Assembly..... | 4 |
| M | | |
| MCGSH-08-(NW)..... | Metal Canopy Graphics Sign Holder..... | 18 |
| MLECSH(NW)(NH)..... | Maxi Line End Cap Sign Header..... | 20 |
| MOFPTCB(NW)(ND)..... | TV Crossbar for Maxi Line..... | 10 |
| O | | |
| OSSBTS(NW)(OPT)..... | Oversize Sign Track System..... | 23 |
| S | | |
| SBOEPP-(ND)..... | Straight in Bracket..... | 24 |
| SHBUTM-(NW)(NH)..... | Sign Holder Basic Upright Top Mount..... | 17 |
| SHGMEXTB(NW)(NH)..... | Sign Holder Gondola Mounted Extended Bracket..... | 19 |
| SHGMEXTF(NW)(NH)..... | Sign Holder Gondola Mounted Extended Frame..... | 19 |
| SHSM-(OPT)..... | Sign Holder Shelf Mount..... | 18 |
| STBS-(NW)(ND)(SO)..... | Step Back Shelf..... | 4 |
| STBS-(NW)(ND)(SO)..... | Step Back Shelf, Lighted Upper Shelf Assembly..... | 4 |
| STLSHM-(NW)(NH)..... | Top Spanner Sign Holder..... | 16 |
| T | | |
| TECSH..... | Triangular End Cap Sign Holder..... | 20 |
| TLBWAC(NW)(PWR)..... | HDTV System AC Only Panel..... | 6 |
| TLBWACDC(NW)(HDMI)(PWR)..... | HDTV System AC/DC Panel with HDMI..... | 6 |
| TLBWACDC(NW)(OPT)(PWR)..... | HDTV System AC/DC Panel..... | 6 |
| TLTVBACKIT20(NL)..... | TV Wall AC Electrical Kit..... | 7 |
| TPOPTAB(NH)..... | Three Position Overhead Flat Panel TV Attach Brkt..... | 10 |
| TPOPTAB(NH)..... | Three Position Overhead Flat Panel TV Attach Brkt Sign Holder..... | 10 |
| TVMP(NW)(NH)..... | TV Mounting Plate..... | 9 |
| V | | |
| VDA-(NL)(TYPE)..... | Vertical Divider Arm..... | 21 |
| VDA-(NL)R-PTH-(OPT)..... | Vertical Divider Arm with Price Tag Holder..... | 21 |
| VDAHDSH-(NL)-(OPT)..... | Vertical Divider Arm Heavy-Duty Scan Hook..... | 21 |
| VDASH..... | Vertical Divider Arm Sign Holder..... | 21 |
| VDA-(NL)R-PTH-(OPT)..... | Vertical Divider Arm with Price Tag Holder..... | 21 |
| VDB-(NW)(SO)..... | Vertical Divider Bar..... | 21 |
| VDBDMSC(NW)..... | Vertical Divider Bar Dual Mounting Sign Channel..... | 21 |
| W | | |
| WHBASH(NL)24..... | Wire Health & Beauty Aid Sign Holder..... | 17 |
| WSSH3P-(NW)(ND)..... | Wing Shelf Sign Holder, 3 Position..... | 22 |

About Madix

At Madix, we get it. You've got challenges. We have innovative answers to your merchandising and storage problems. For over 50 years we have listened to our customers and responded to their needs, focusing on the underlying issues they face to make their stores more profitable. We work one-on-one with each client to identify ways to improve store environments, which improves the bottom line. Madix offers an assortment of catalogued display and storage lines, and we love to design new products that tackle your specific needs. Madix draws on its experience to evaluate, consult, and share imaginative ways to make your sales floors and back rooms more productive. This interaction is what makes Madix stand out above all others as the innovative leader in the store fixture industry.

Learn more @ www.madixinc.com



Texas 500 Airport Road, Terrell, TX 75160 | 800.776.2349
Alabama 20984 Alabama Hwy. 9, Goodwater, AL 35072 | 800.633.6282