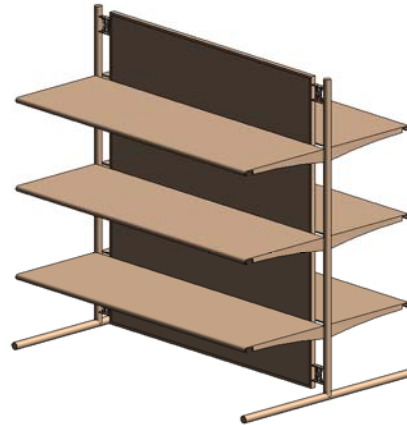
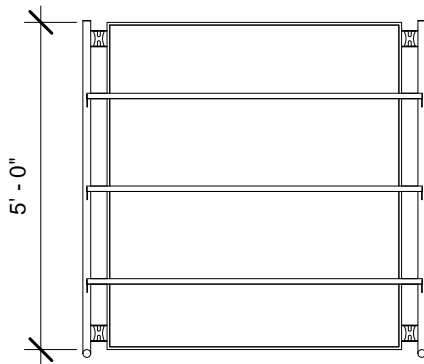


NOTE:  
DEPTH & LENGTH VARIES; SEE CATALOG

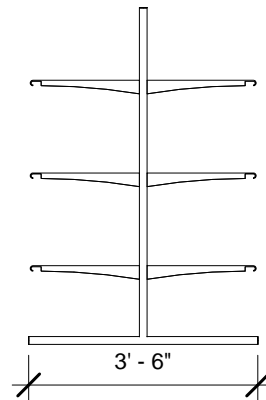
PLAN



3D PERSPECTIVE



FRONT ELEVATION



SIDE ELEVATION

**LUXE T-UPRIGHTS WITH LEGS ON BOTH SIDES**



www.madixinc.com

**MADIX REVIT  
FAMILY**

**ARCHITECTURAL VIEWS**

Project number MADIX BLOCKS

Date 12-31-13

Drawn by EF

Checked by ND

**LUXT**

Scale 3/8" = 1'-0"