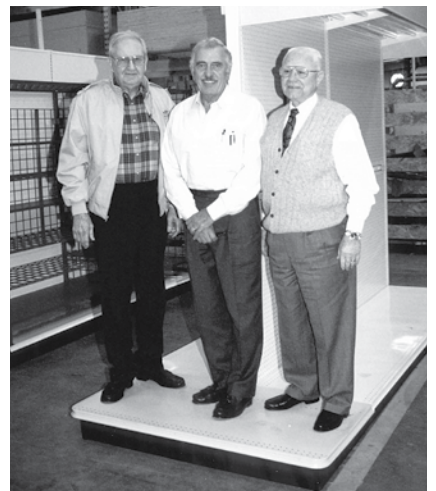


# SPECIALTY FIXTURES

Luxe & Vesta®

**madix**  
INNOVATION ON DISPLAY



# Table of Contents



**Luxe Fixtures..... 3**  
 Example Layouts of Luxe Aisle and Wall Fixture ..... 6  
 Uprights ..... 7  
 Panels ..... 8  
 Luxe Accessories ..... 9  
 Luxe Queuing Solutions ..... 13  
 Queuing Posts ..... 14  
 Queuing Back Panels ..... 15  
 45° Inside Corner Panel & Shelf ..... 22  
 45° Inside Corner Shelf & Post ..... 23  
 45° Inside Corner Back ..... 24  
 Queuing Accessories ..... 26



**Vesta ..... 41**  
 Core and Dividers ..... 44  
 Shelving ..... 46  
 LEDge Light Gen4 ..... 48  
 LEDge Light Versa ..... 50  
 LEDge Light Dimming Controller Kits ..... 52



[www.madixinc.com](http://www.madixinc.com)

**Texas** 500 Airport Road, Terrell, TX 75160 | 1010 S. Bolton, Jacksonville, TX 75766  
**Alabama** 20984 Alabama Hwy. 9, Goodwater, AL 35072 | 500 Madix Drive, Eclectic, AL 36024

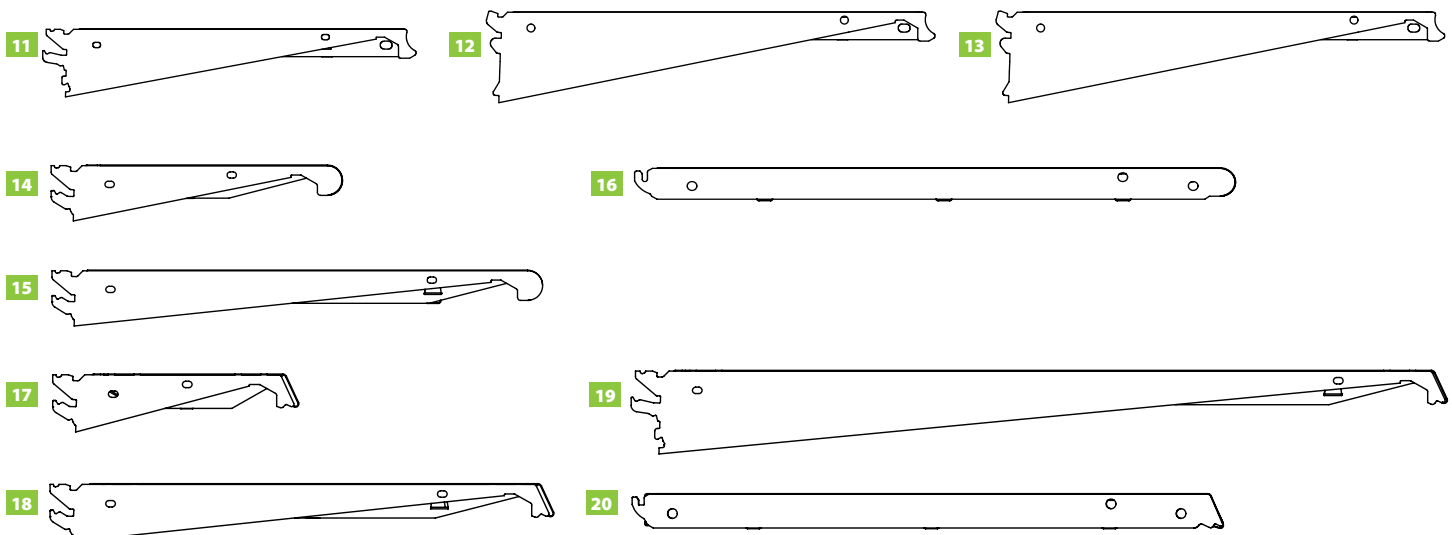
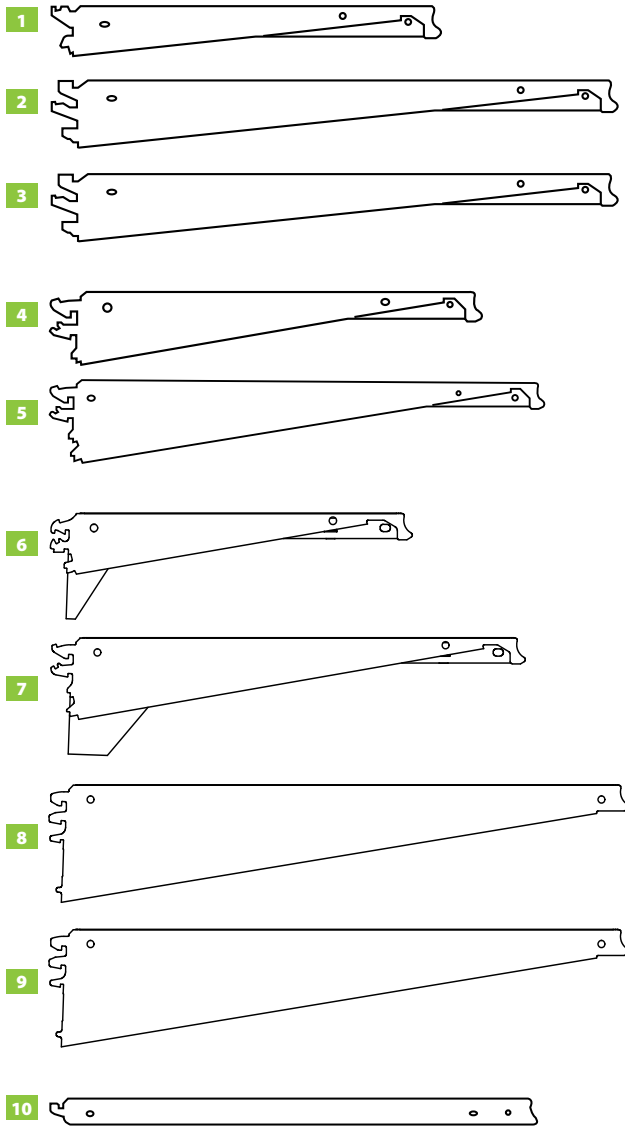




---

Luxe Fixtures

## Shelf Loading



Shelf Type		Shelf Depth	Maximum Load Capacity in Pounds			
			Evenly Loaded	Front Loaded	15°	30°
SUS-(NW)(ND)	1	6" - 8"	300#	300#	125#	100#
		10" - 18"	500#	350#	125#	100#
	2	20" - 24"	500#	350#	250#	100#
		26" - 30"	400#	250#	200#	100#
STP-(NW)(ND)	4	6" - 8"	200 - 300#	300#	250#	100#
		10" - 18"	500#	350#	250#	100#
	5	20" - 24"	500#	350#	250#	100#
STPH(NW)(ND)	6	8" - 18"	600#	600#	N/A	N/A
		20" - 28"	600#	600#	N/A	N/A
	8	30"	600#	600#	N/A	N/A
		31" - 34"	500#	N/A	N/A	N/A
		36" - 40"	400#	N/A	N/A	N/A
SBS-(NW)(ND)	10	12" - 48"	600#	N/A	N/A	N/A
		HUS-(NW)(ND)	11	16" - 18"	600#	N/A
20" - 30"	600#			N/A	N/A	N/A
13	31" - 34"		500#	N/A	N/A	N/A
	36" - 40"		400#	N/A	N/A	N/A
SUSBN(NW)(ND)	14	8" - 14"	200#	300#	125#	100#
		SBSBN(NW)(ND)	16	8" - 30"	600#	N/A
FFSUS-(NW)(ND)	17			8" - 13"	200#	200#
		16" - 18"	400#	200#	125#	100#
	19	20" - 30"	300#	250#	200#	100#
FFBS-(NW)(ND)	20	8" - 34"	600#	N/A	N/A	N/A

• STP type shelves are straight-in, horizontal insertion into upright slotting



### Luxe Aisle and Wall Fixture

Luxe is the softer approach to metal fixtures, allowing retailers to create fashionable, multifunctional displays without hassle or added expense. Clean lines and rounded edges give Luxe the upscale appearance of a custom look, while the use of Maxi Line and Tube Line accessories maintain the efficiency and affordability of standard cataloged products.

# Luxe

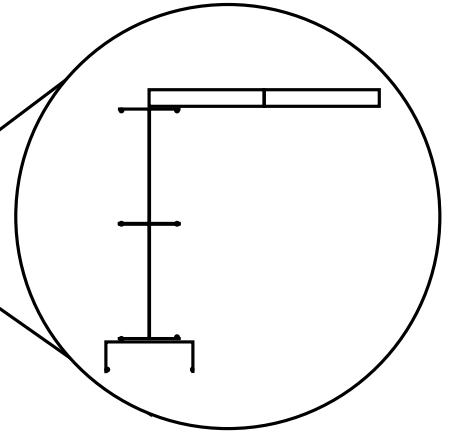
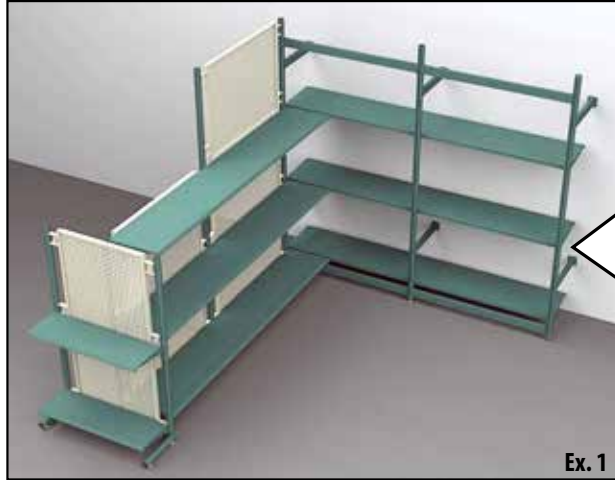


- Luxe features a unique slotting system that is compatible with standard Maxi Line and Tube Line shelving accessories, and other merchandising pieces
- Integrative back panel systems that are made of wire and perforated metal
- Slotted posts give retailers the capability to extend the fixture in four directions
- Versatile options ranging from tables to freestanding units
- Unique post system can also be attached to walls
- Upgrades and re-configurations are simple and efficient

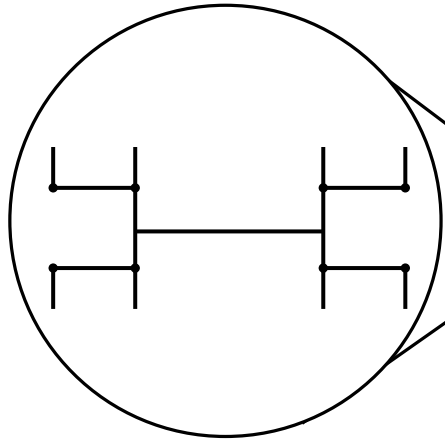


## Example Layouts of Luxe Aisle and Wall Fixture

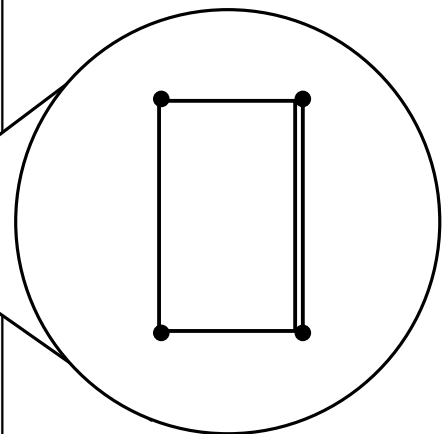
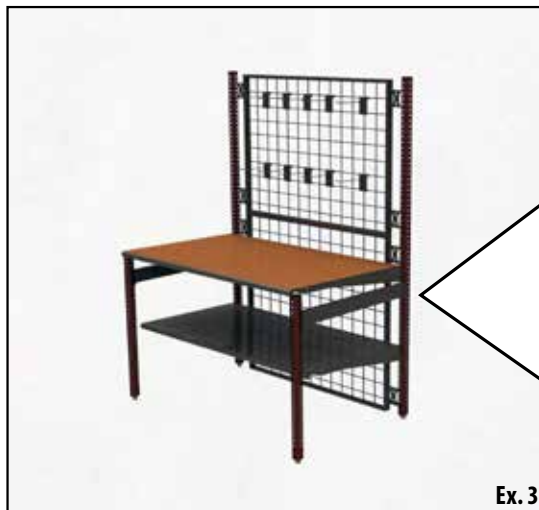
### Store Within a Store



### Power Tower



### End Cap Focus



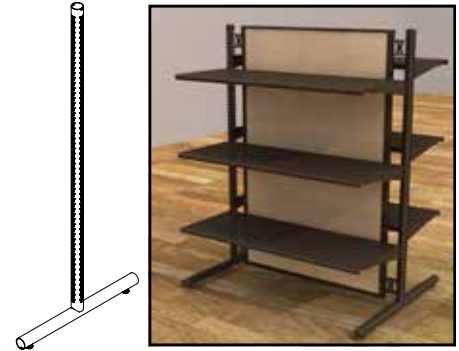
### Luxe T-Uprights with Leg on Both Sides

- T-Upright with center-slotted upright and two legs; used for two-sided merchandising applications or where stability is required
- Slotted 1" (25 mm) OC on four sides to produce a wide array of fixture configurations
- All standard Maxi Line and Tube Line accessories work with Luxe Merchandising System
- Optional Caster can be applied to T-Uprights Wall Outriggers Upright only when used as a table or other stable configuration

**NOTE!**  
Maximum load capacity is 200 lbs per shelf.

### LUXT-(NH)(NDL)(NDR)(OPT)

- LUXT .... Luxe T-Upright
- NH .... Nominal Height 36" to 96" in 6" increments (914 mm to 2438 mm in 152 mm increments)
- NDL .... Nominal Depth Left 12" to 24" in 2" increments (305 mm to 610 mm 51mm increments)
- NDR .... Nominal Depth Right 12" to 24" in 2" increments (305 mm to 610 mm 51 mm increments)
- OPT .... Blank= Leveler  
C= Casters



Optional caster



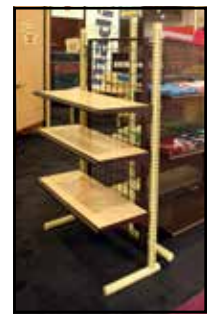
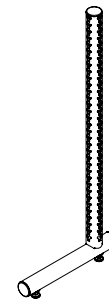
**NOTE!**  
DO NOT use casters on L- Uprights unless supported on rear by another Luxe fixture. Contact your sales consultant regarding application.

### Luxe L-Uprights with Leg on One Side

- L-Upright with center-slotted upright and one leg; used for one-sided merchandising applications
- Slotted 1" (25 mm) OC on four sides to produce a wide array of fixture configurations
- All standard Maxi Line and Tube Line accessories work with Luxe Merchandising System

### LUXL-(NH)(ND)

- LUXL .... Luxe L-Upright
- NH .... Nominal Height 36" to 96" in 6" increments (914 mm to 2438 mm in 152 mm increments)
- ND .... Nominal Depth 12" to 24" in 2" increments (305 mm to 610 mm 51 mm increments)



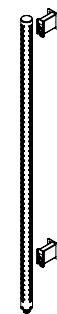
### Luxe Wall Outrigger Upright & Bracket

- Luxe upright without legs used for perimeter merchandising applications
- Mounted off the perimeter wall by 3", 6", 12" or 18" (76 mm, 152 mm, 305 mm, or 457 mm)
- All standard Maxi Line and Tube Line accessories work with Luxe Merchandising System
- Includes Luxe Wall Outrigger Bracket [LUXWOTB(ND)]
- Does not include hardware to attach to wall

### LUXWO-(NH)(ND)

- LUXWO .... Luxe Wall Outrigger
- NH .... Nominal Height 60" to 120" in 6" increments (1524 mm to 3048 mm in 152 mm increments)
- ND .... Nominal Depth 03", 06", 12" or 18" (76 mm, 152 mm, 305 mm or 457 mm)

NH	QTY of LUXWOTB per LUXWO Upright Height
60"	2
66"	2
72"	2
78"	2
84"	3
90"	3
96"	3
102"	3
108"	3
114"	3
120"	3

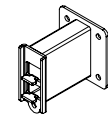


### Luxe Wall Outrigger Bracket

- Bracket mounts off the perimeter wall by 3", 6", 12" or 18" (76 mm, 152 mm, 305 mm or 457 mm)
- May be ordered separately with a Luxe Wall Outrigger Upright Only [LUXP(NH)]

### LUXWOTB(ND)

- LUXW .... Luxe Wall
- OTB .... Outrigger Bracket
- ND .... Nominal Depth 03", 06", 12" or 18" (76 mm, 152 mm, 305 mm or 457 mm)



### Luxe Wall Outrigger Upright Only

- Luxe Outrigger upright only
- Use for tables, benches, and four-post square configuration
- Nominal Height 24"-120" in 6" increments (610 mm to 3048 mm in 152 mm increments)
- May be ordered with Luxe Wall Outrigger Bracket Only [LUXWOTB(ND)] to attach to wall

### LUXP(NH)(OPT)

- LUXP .... Luxe Wall Outrigger Post Only
- NH .... Nominal Height 24" to 120" in 6" increments (610 mm to 3048 mm in 152 mm increments)
- OPT .... Blank= Leveler  
C= Casters

NH	QTY of LUXWOTB per LUXP Upright Height
60"	2
66"	2
72"	2
78"	2
84"	3
90"	3
96"	3
102"	3
108"	3
114"	3
120"	3



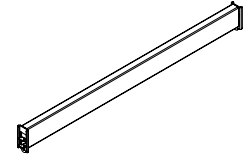


### Luxe Tie Bar

- Use Tie Bar when no backs are being used to stabilize aisles and walls
- Minimum of two required per section

### LUXTB-(NW)

LUXTB .... Luxe Tie Bar  
 NW .... Nominal Width 18" to 48" in 6" increments  
 (457 mm to 1219 mm in 152 mm increments)



### Luxe End Frame Panel

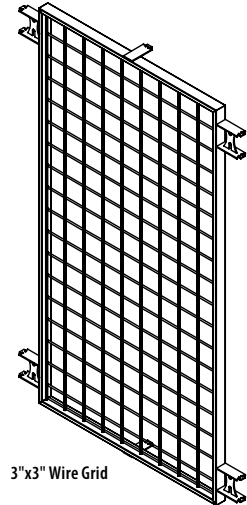
- Wire grid used for end caps
- Requires two Luxe Wall Outrigger Uprights [LUXP(NH)] (ordered separately)
- If more support is needed, order Luxe L-Uprights with Leg on One Side [LUXL-(NH)(ND)]

### LUXEFP(TYPE)(NH)(NW)

LUXEFP .... Luxe End Frame Panel  
 TYPE .... MSP=Metal Square Perforated  
 MPG=Multi-Grid  
 HG=Harmonic Grid  
 WG=3"x3" Wire Grid (76 mm x 76 mm)  
 NH .... Nominal Height 36" to 96" in 6" increments  
 (914 mm to 2438 mm in 152 mm increments)  
 NW .... Nominal Width 18" to 48" in 6" increments  
 (457 mm to 1219 mm in 152 increments)



Shown with 3"x3" Wire Grid

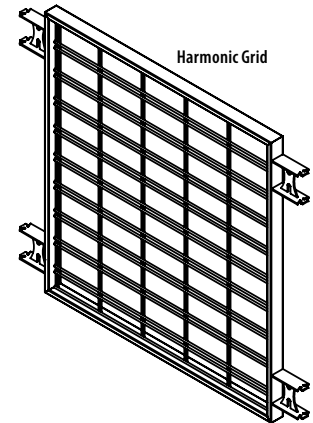


3"x3" Wire Grid

### Luxe Back Panels

### LUXB(TYPE)(NH)(NW)

LUXB .... Luxe Back Panels  
 TYPE .... MSP=Metal Square Perforated  
 MPG=Multi-Grid  
 HG=Harmonic Grid  
 WG=3"x3" Wire Grid (76 mm x 76 mm)  
 NH .... Nominal Height 24", 30", 36", 42" or 48"  
 (610 mm, 762 mm, 914 mm, 1067 mm or 1219 mm)  
 NW .... Nominal Width 18" to 48" in 6" increments  
 (457 mm to 1219 mm in 152 increments)



Harmonic Grid



Shown with Harmonic Grid



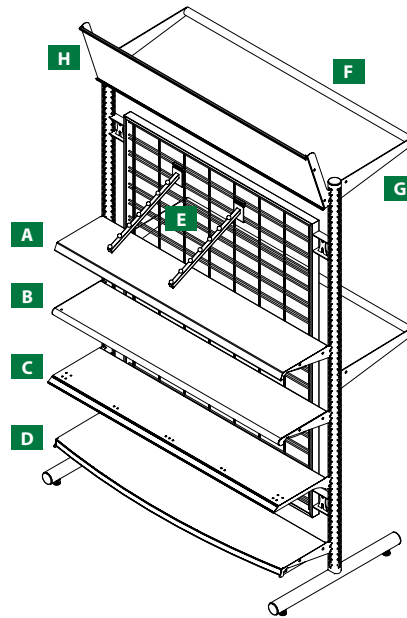
Shown with Metal Square Perforated



Shown with 3"x3" Wire Grid

## Accessories

	Part Number
<b>A</b>	Flush Front Upper Shelf
<b>B</b>	Bullnose Upper Shelf
<b>C</b>	Thin Profile Shelf, Light-Duty
<b>D</b>	Standard Upper Shelf with Radius Front
<b>E</b>	Waterfall Displays for Wire Grid
<b>F</b>	Hang Rod
<b>G</b>	Hang Rod Bracket
<b>H</b>	Wing Shelf Sign Holder, 3 Position

**A Flush Front Upper Shelf**

- Smooth, dust-free edge ideal for merchandising without tag molding
- Versatility of three positions: Flat, 15° downslope and 30° downslope
- Non-perforated available

**FFUS-(NW)(ND)**

FFUS .... Flush Front Upper Shelf

NW .... Nominal Width 3' or 4'  
(914 mm or 1219 mm)

ND .... Nominal Depth 12" to 30" in 2" increments  
(305 mm to 762 mm in 51 mm increments)

**B Bullnose Upper Shelf**

- Same form, fit, and function of Standard Upper Shelf, allowing the use of front fence and dividers
- Fits 1" OC slotting (25 mm)
- Radius front measures 1¼" (32 mm) high
- Available in variety of finishes
- Non-perforated available

**SUSBN(NW)(ND)(NP)**

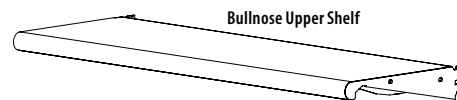
SUS .... Standard Upper Shelf

BN .... Bullnose

NW .... Nominal Width 24" to 48" in 6" increments  
(610 mm to 1219 mm in 152 mm increments)

ND .... Nominal Depth 12" to 30" in 2" increments  
(305 mm to 762 mm in 51 mm increments)

NP .... Non-Perforated

**Straight-In Upper Shelf with Wooden Top**

- Flat, 15° or 30° downslope
- Load capacity is 100 lbs

**STPSWT(NW)(ND)**

STPS .... Straight-In Upper Shelf

WT .... Wooden Top

NW .... Nominal Width 18" to 48" in 6" increments  
(457 mm to 1219 mm in 152 mm increments)

ND .... Nominal Depth 08" to 20" in 2" increments  
(203 mm to 508 mm in 51 mm increments)

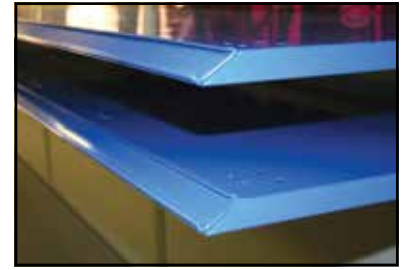


### Thin Profile Shelf, Light-Duty

- Madix's thinnest profile shelf
- Slimness of shelf allows additional row of shelves
- Angled tag molding creates attractive pricing display
- No pushers required to display merchandise
- Ideal for tightly spaced and lightweight merchandise

### PLSTTSLD(NW)(ND)

PLSTTS .... Thin Profile Shelf  
 LD .... Light-Duty  
 NW .... Nominal Width 36" or 48"  
 (914 mm or 1219 mm)  
 ND .... Nominal Depth 10" to 20" in 2" increments  
 (254 mm to 610 mm in 51 mm increments)

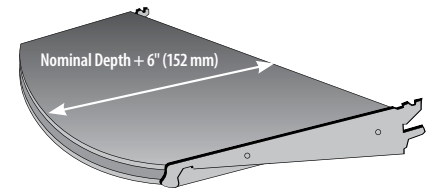


### Standard Upper Shelf with Radius Front

- Gradual outward curve 6" (152 mm) greater than depth of brackets at curve vertex
- Available in Regular-Duty or Heavy-Duty
- Laminate finish available

### SUSRF(TYPE)-(NW)(ND)

SUS .... SUS=Upper Shelf  
 RF .... Radius Front  
 TYPE .... Blank=Regular-Duty  
 HD=Heavy-Duty  
 NW .... Nominal Width 3' or 4'  
 (914 mm or 1219 mm)  
 ND .... Nominal Depth 12" to 30" in 2" increments  
 (305 mm to 787 mm in 51 mm increments)

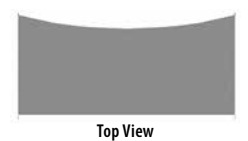
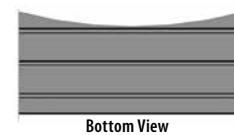
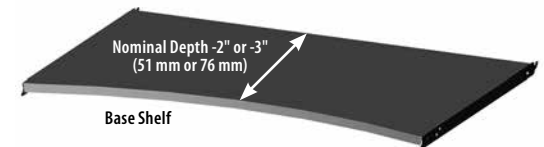
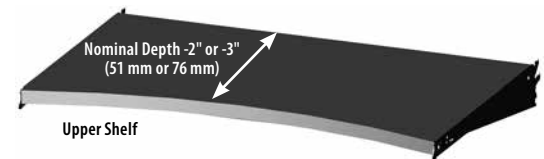


### Standard Upper with Multi Radius Concave Front

- Draws customers' attention to merchandise
- Gradual inward curve 2" or 3" (51 mm or 76 mm) less than depth of brackets at curved vertex
- Standard DGA2 tag molding built into each shelf available in satin or customer's choice of finish
- Patented

### SUSMRFC(NW)(ND)-(ID)

SUS .... Standard Upper Shelf  
 MRFC .... Multi Radius Concave Front  
 NW .... Nominal Width 24", 36" or 48"  
 (610 mm, 914 mm or 1219 mm)  
 ND .... Nominal Depth 10" to 24" in 2" increments  
 (254 mm to 610 mm in 51 mm increments)  
 ID .... Inversion Depth 2" or 3"  
 (51 mm or 76 mm)

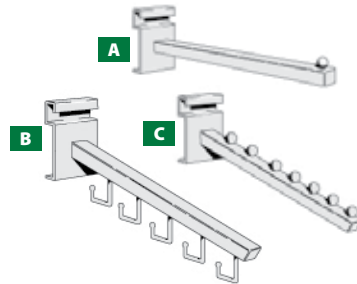




## E Waterfall Displayers for Wire Grid

- One inch square (25 mm x 25 mm) chrome-plated tubing:

- A** Straight Arm, projects 12" (305 mm)
- B** J-Hook Waterfall, projects 16" (406 mm)
- C** Waterfall, projects 16" (406 mm)



J-Hook Waterfall



Waterfall

### WG(TYPE)

WG.... Wire Grid

TYPE.... FOS= Straight Arm Displayer  
FOJ= J-Hook Waterfall Displayer  
FOW= Waterfall Displayer

## Waterfall Displayers for Slatwall

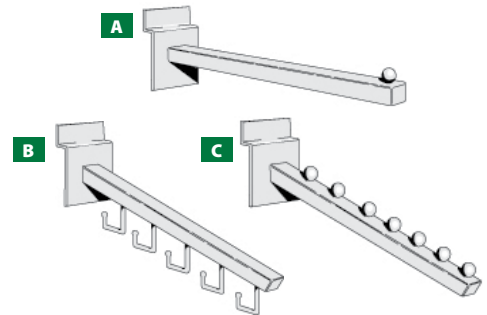
- One inch square (25 mm x 25 mm) chrome-plated tubing:

- A** Straight Arm, projects 12" (305 mm)
- B** J-Hook Waterfall, projects 16" (406 mm)
- C** Waterfall, projects 16" (406 mm)

### S(TYPE)

S.... Slatwall

TYPE.... FOS= Straight Arm Displayer  
FOJ= J-Hook Waterfall Displayer  
FOW= Waterfall Displayer



## F Hang Rod

- Chrome-plated (standard)
- Painted available

### HR-(NW)

HR.... Hang Rod

NW.... Nominal Width 24" to 48"  
in 6" increments  
(610 mm to 1219 mm in  
152 mm increments)



## G Hang Rod Bracket

- Painted

### HRB-(ND)

HRB.... Hang Rod Bracket

ND.... Nominal Depth 4" to 30"  
in 2" increments  
(102 mm to 762 mm in  
51 mm increments)



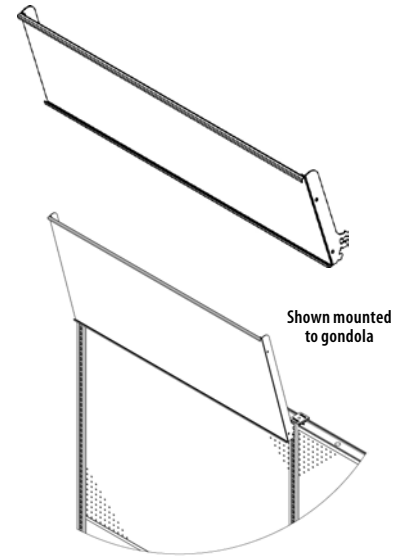
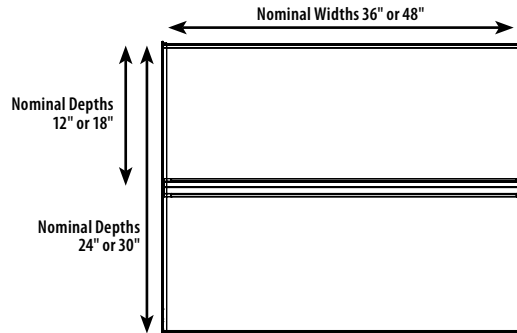
**H Wing Shelf Sign Holder, 3-Position**

- 15°, 30° and 45° angles
- Customer-supplied signage dimensions:
  - Widths: 36" (914 mm) or 48" (1219 mm)
  - Heights: please refer to chart below
  - Thickness: 1/4" (6 mm)

Nominal Depth	Sign Height	Quantity Needed
12"	11.875"	1
18"	17.875"	1
24"	11.875"	2
30"	14.875"	2

**WSSH3P-(NW)(ND)**

WSSH.... Wing Shelf Sign Holder  
 3P.... Three Position  
 NW.... Nominal Width 36" or 48"  
 (914 mm or 1219 mm)  
 ND.... Nominal Depth 12", 18", 24" or 30"  
 (305 mm, 457 mm, 610 mm or 762 mm)

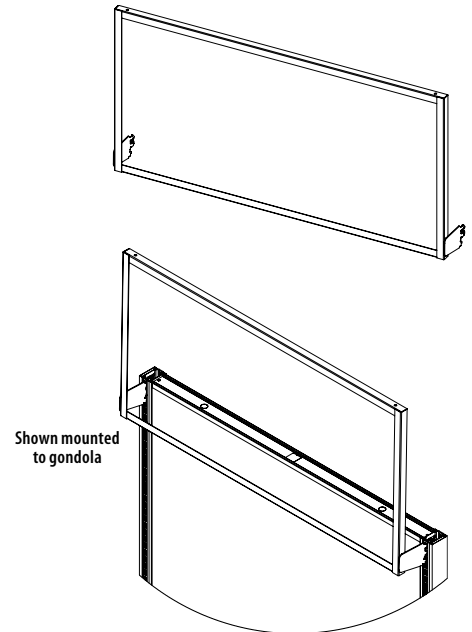


**Gondola Header Sign, Basic Upright Mounted**

- Customer-supplied signage dimensions:
  - 36"W x 24"H = 35.438"W x 23.812"H  
 (914 mm x 610 = 900 mm x 605 mm)
  - 48"W x 24"H = 47.738"W x 23.812"H  
 (1219 mm x 610 = 1213 mm x 605 mm)
- Thickness: 1/4" (6 mm)

**GHSBABUM(NW)(NH)**

GSHA.... Gondola Header Sign Holder Angled  
 BU.... Basic Upright  
 M.... Mounted  
 NW.... Nominal Width 36" or 48"  
 (914 mm or 1219 mm)  
 NH.... Nominal Height 24"  
 (610 mm)





### Luxe Queuing Solution

Put method back into the madness of checkout lines! Madix's Luxe Queuing Solution helps retailers boost sales by reducing wait time in the checkout area, improving customer satisfaction and strengthening brand loyalty.

Luxe Queuing feeds one line of customers to multiple registers in an orderly and efficient manner, minimizing customer frustration. And with the variety of configurations available, retailers have the flexibility to promote more impulse merchandise and services at a consistent exposure level. Our Luxe Queuing Solution supports almost all standard Madix shelves and accessories.

### Build Your Own

Once you've determined your queuing layout, our three-step design process can help you create the perfect solution for your store's needs. It's just 1, 2, 3... and you're done!

## 1 Pick Your Post

Choose your height and type of Luxe Queuing Post 40", 48", 54" or 60" high (1016 mm, 1219 mm, 1372 mm or 1524 mm)

## 2 Pick Your Back

Select the height, material, and type of your backing component.

## 3 Pick Your Accessories

Mix and match accessories from our other product lines



## 1 Pick Your Post

Pick your height and type of Luxe Queuing Post:  
40", 48", 54", or 60" high (1016 mm, 1219 mm, 1372 mm, or 1524 mm)

### Luxe Queuing Post Slotted on Two (2) Sides

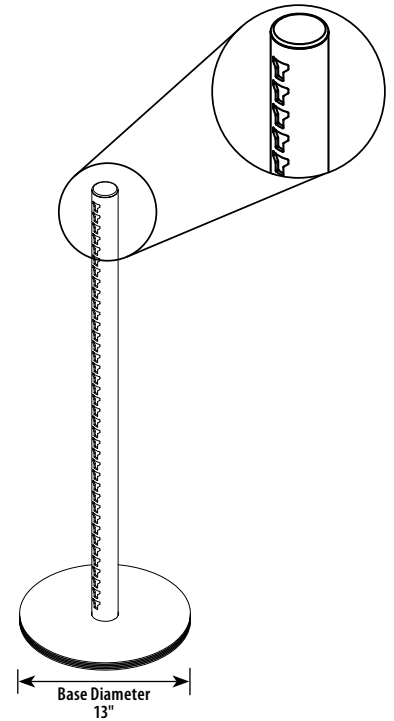
- The section's back material (Pegboard, Grid, Slatwall, or Megawall) is used to support the shelves and accessories, not the posts' slots
- Creates a clean look (no front-facing visible slots)
- Base diameter of 13" (330 mm)
- Maximum post height of 60" (1524 mm), if taller posts are required please call your Sales Representative

#### LUQP(NH)S2

LUQP .... Luxe Queuing System Post  
NH .... Nominal Height 40", 48", 54" or 60"  
(1016 mm, 1219 mm, 1372 mm or 1524 mm)  
S2 .... Slotted 2-Sided



Queuing Post Detail



**NOTE!**  
Luxe Queuing 13" Round Capacity Accessories must not exceed 6" (152 mm) deep.  
Do not exceed 142 lbs per section per side when using 6" accessories.  
If a higher weight capacity more than 142 lbs per section and deeper than 6" accessories are required please contact your Madix Sales Representative.

### Luxe Queuing Post Slotted on Four (4) Sides

- Especially designed for Maxi Shelves and Accessories (with brackets)
- Provides the most flexibility for configurations—four slots allow for 90° turns in four different directions
- Creates sharp, neat corners without need for filler panels
- Base diameter of 13" (330 mm)
- Maximum post height of 60" (1524 mm), if taller posts are required please call your Sales Representative

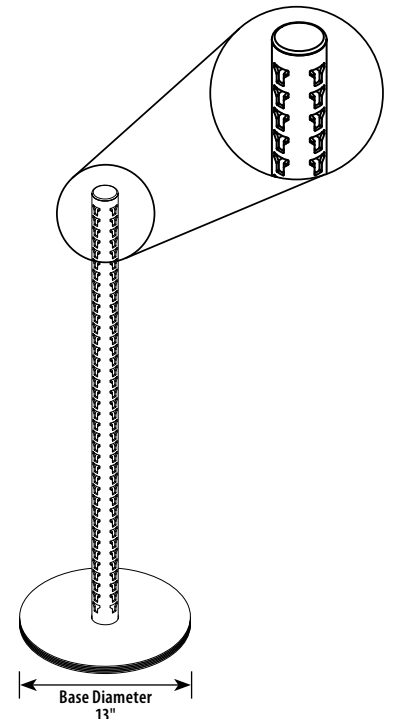
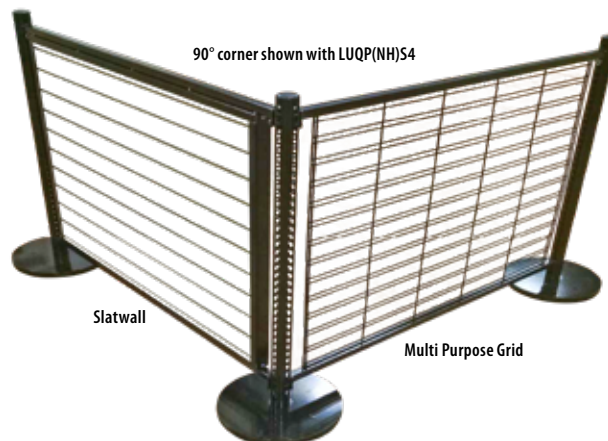
#### LUQP(NH)S4

LUQP .... Luxe Queuing System Post  
NH .... Nominal Height 40", 48", 54" or 60"  
(1016 mm, 1219 mm, 1372 mm or 1524 mm)  
S4 .... S4=Slotted 4-Sided

**NOTE!**  
Luxe Queuing 13" Round Capacity Accessories must not exceed 6" (152 mm) deep.  
Do not exceed 142 lbs per section per side when using 6" accessories.  
If a higher weight capacity more than 142 lbs per section and deeper than 6" accessories are required please contact your Madix Sales Representative.



Queuing Post Detail



## 2 Pick Your Back *Pick your height, type, and material of back*

### Heights

- Nominal heights available are 40", 48", 54", or 60" (1016 mm, 1219 mm, 1372 mm or 1524 mm) posts

### Back Options

- 1" x 1" (25 mm x 25 mm) Crossbars two (2) required per section
- Hardboard Two (2) sides
- Pegboard Two (2) sides
- Slatwall Two (2) sides
- Slatwall One (1) side
- MegaWall™ One (1) back slotted on two (2) sides
- Grid Backs One (1) side
- Grid Backs Two (2) sides

*Usable space on all wire panels*

Size Nominal Width x Nominal Height	Usable Space Actual Width x Actual Height
24" x 40"	17.5" x 33"
24" x 48"	17.5" x 41"
36" x 40"	29.5" x 33"
36" x 48"	29.5" x 41"
48" x 40"	41.5" x 33"
48" x 48"	41.5" x 41"

*Usable space on pegboard and slatwall*

Size Nominal Width x Nominal Height	Usable Space Actual Width x Actual Height
24" x 40"	16.438" x 31.125"
24" x 48"	16.438" x 39.125"
36" x 40"	28.438" x 31.125"
36" x 48"	28.438" x 39.125"
48" x 40"	40.438" x 31.125"
48" x 48"	40.438" x 39.125"



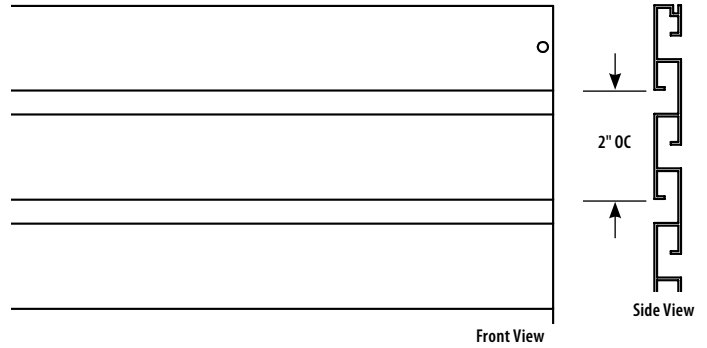
## Peg Hook Applications

### Back Options

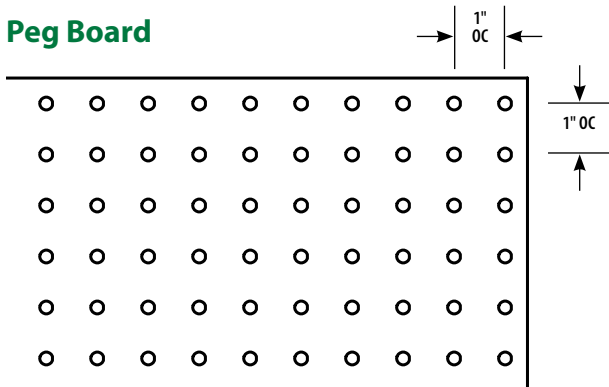
Peg Hook Type	Pegboard	Slatwall	Slatgrid	Modified Harmonic Grid	Multi-Purpose Grid	Mini Grid	2" x 2" Mesh Grid	3" x 3" Mesh Grid	Modified Slat Grid	2" OC MegaWall™
Pegboard Hooks	★	☆	☆	☆	☆	★			☆	☆
Slatwall Hooks		★	★	★	★	★			★	★
Wire Grid Hooks			☆	☆	☆		★	★	☆	

- ★ Recommended Application
- ☆ Fits but NOT recommended
- Blank box will not work

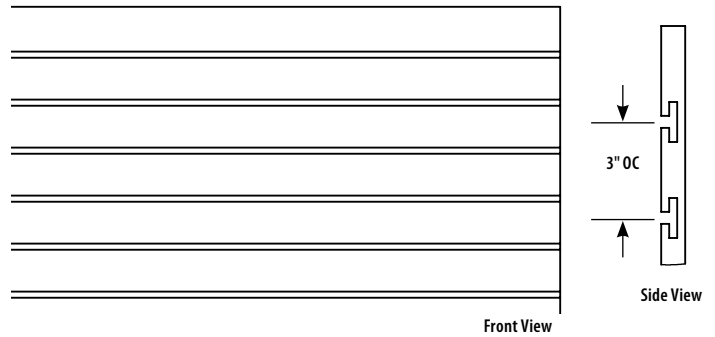
## Luxe Queuing MegaWall™ Panel



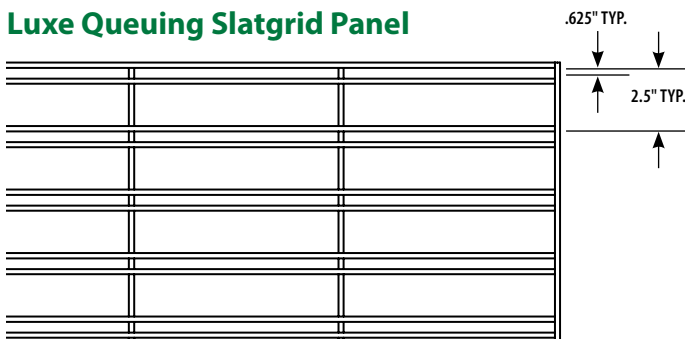
## Peg Board



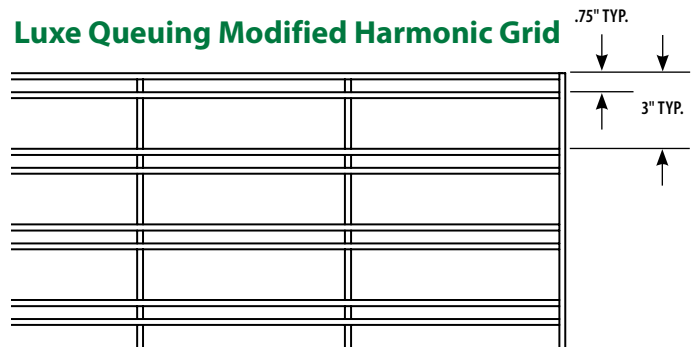
## Luxe Queuing Slatwall Panel



## Luxe Queuing Slatgrid Panel



## Luxe Queuing Modified Harmonic Grid





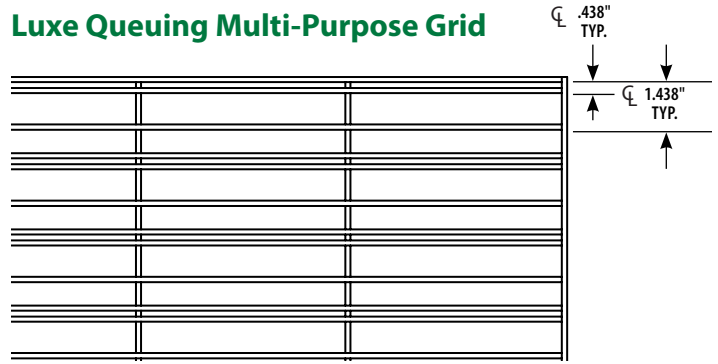
### Back Options

### Peg Hook Applications

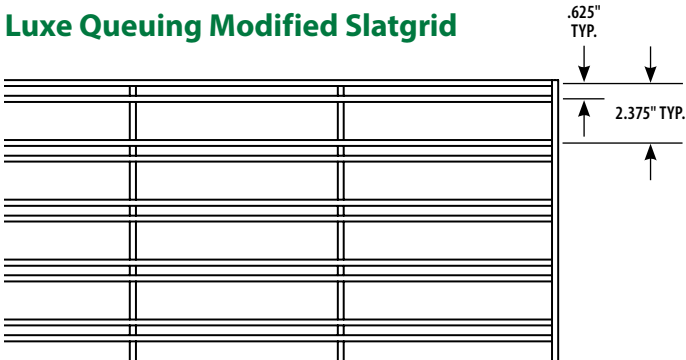
Peg Hook Type	Pegboard	Slatwall	Slatgrid	Modified Harmonic Grid	Multi-Purpose Grid	Mini Grid	2" x 2" Mesh Grid	3" x 3" Mesh Grid	Modified Slat Grid	2" OC MegaWall™
Pegboard Hooks	★	☆	☆	☆	☆	★			☆	☆
Slatwall Hooks		★	★	★	★	★			★	★
Wire Grid Hooks			☆	☆	☆		★	★	☆	

- ★ Recommended Application
- ☆ Fits but NOT recommended
- Blank box will not work

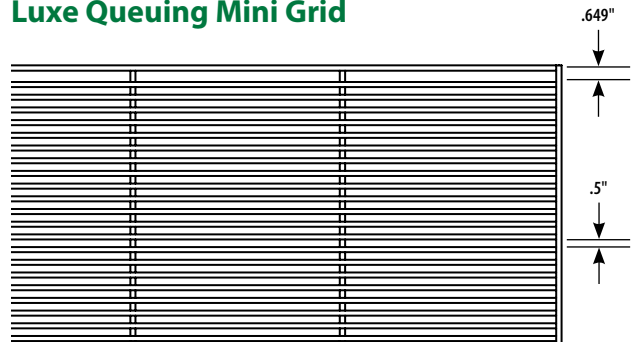
### Luxe Queuing Multi-Purpose Grid



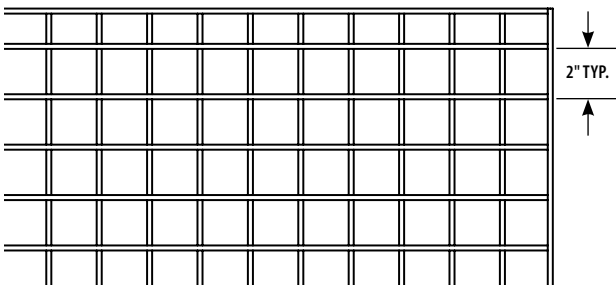
### Luxe Queuing Modified Slatgrid



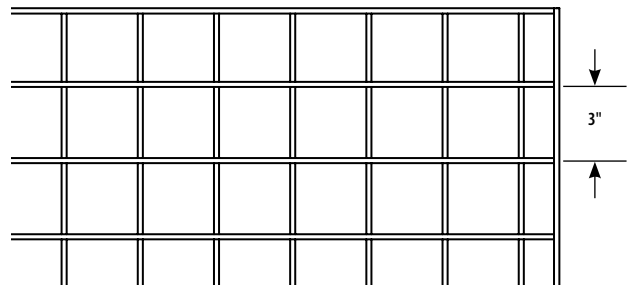
### Luxe Queuing Mini Grid



### Luxe Queuing 2" x 2" Grid



### Luxe Queuing 3" x 3" Grid



## Luxe Queuing Hardboard Backs on Two (2) Sides

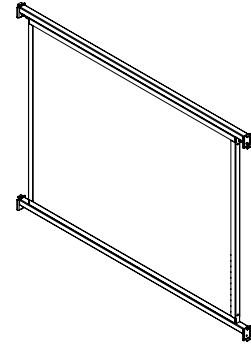
- Nominal widths are 24", 36" or 48" (610 mm, 914 mm and 1219 mm)
- Nominal heights are 40", 48", 54" or 60" (1016 mm, 1219 mm, 1372 mm or 1524 mm)
- Available with hardboard backs on both sides; back is a one-piece unit and easily installs into side slots of the Luxe Queuing Post
- Also available with pegboard on one side and hardboard on the other

### LUQB(OPT)DP(NW)(NH)

LUQB .... Luxe Queuing System Back  
 OPT .... HH=Hardboard Two Sides  
           HP=Hardboard Back & Pegboard  
 DP .... Double Panel  
 NW .... Nominal Width 24", 36" or 48"  
           (640 mm, 914 mm, or 1219 mm)  
 NH .... Nominal Height 40", 48", 54" or 60"  
           (1016 mm, 1219 mm, 1372 mm or 1524 mm)

#### Finish Code

FIN1 .... Metal  
 FIN2 .... Back One  
 FIN3 .... Back Two



## Luxe Queuing Pegboard Backs on Two (2) Sides

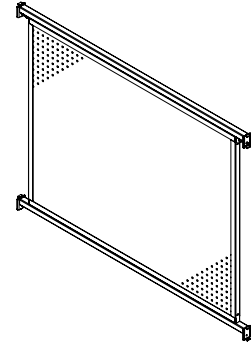
- Nominal widths are 24", 36" or 48" (610 mm, 914 mm and 1219 mm)
- Nominal heights are 40", 48", 54" or 60" (1016 mm, 1219 mm, 1372 mm or 1524 mm)
- Pegboard backs on both sides; back is a one-piece unit and easily installs into side slots of the Luxe Queuing Post
- Also available with pegboard on one side and hardboard on the other

### LUQB(OPT)DP(NW)(NH)

LUQB .... Luxe Queuing System Back  
 OPT .... PP=Pegboard Two Sides  
           HP=Hardboard Back & Pegboard  
 DP .... Double Panel  
 NW .... Nominal Width 24", 36" or 48"  
           (640 mm, 914 mm or 1219 mm)  
 NH .... Nominal Height 40", 48", 54" or 60"  
           (1016 mm, 1219 mm, 1372 mm or 1524 mm)

#### Finish Code

FIN1 .... Metal  
 FIN2 .... Back One  
 FIN3 .... Back Two



## Luxe Queuing Slatwall Backs on One (1) Side

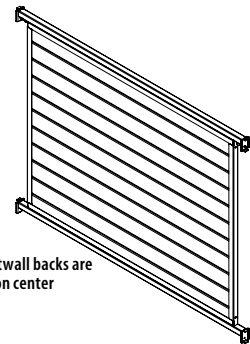
- Nominal widths are 24", 36" or 48" (610 mm, 914 mm and 1219 mm)
- Nominal heights are 40", 48", 54" or 60" (1016 mm, 1219 mm, 1372 mm or 1524 mm)
- Slatwall back on one side, flat on rear
- Back is a one-piece unit and easily installs into side slots of the Luxe Queuing Post
- If the slatwall back is painted, the slatwall front and flat interior will be painted the same color
- The flat interior side can be laminated, if the reverse slatwall side is painted or laminated

### LUQB(B1)SP(NW)(NH)

LUQB .... Luxe Queuing System Back  
 B1 .... Back Option  
           SWL=Slatwall Laminated  
           SWP=Slatwall Painted  
 SP .... Single Panel  
 NW .... Nominal Width 24", 36" or 48"  
           (640 mm, 914 mm, or 1219 mm)  
 NH .... Nominal Height 40", 48", 54" or 60"  
           (1016 mm, 1219 mm, 1372 mm or 1524 mm)

#### Finish Code

FIN1 .... Metal  
 FIN2 .... Back One (front & back same color only)  
 FIN3 .... Inserts One  
 FIN4 .... Interior Back (laminated option only)



Slatwall backs are 3" on center

## Luxe Queuing Slatwall Backs on Two (2) Sides

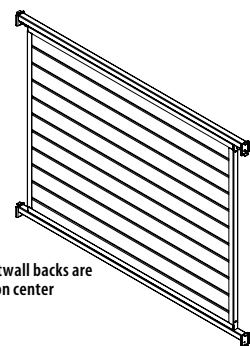
- Nominal widths are 24", 36" or 48" (610 mm, 914 mm and 1219 mm)
- Nominal heights are 40", 48", 54" or 60" (1016 mm, 1219 mm, 1372 mm or 1524 mm)
- Slatwall backs on two sides
- Back is a one-piece unit and easily installs into side slots of the Luxe Queuing Post

### LUQB(B1)(B2)DP(NW)(NH)

LUQB .... Luxe Queuing System Back  
 B1 .... Back Option One  
           SWL=Slatwall Laminated  
           SWP=Slatwall Painted  
 B2 .... Back Option Two  
           SWL=Slatwall Laminated  
           SWP=Slatwall Painted  
 DP .... Double Panel  
 NW .... Nominal Width 24", 36" or 48"  
           (640 mm, 914 mm, or 1219 mm)  
 NH .... Nominal Height 40", 48", 54" or 60"  
           (1016 mm, 1219 mm, 1372 mm or 1524 mm)

#### Finish Code

FIN1 .... Metal  
 FIN2 .... Back One  
 FIN3 .... Inserts One  
 FIN4 .... Back Two  
 FIN5 .... Inserts Two



Slatwall backs are 3" on center

## Luxe Queuing MegaWall™ Backs on Two (2) Sides

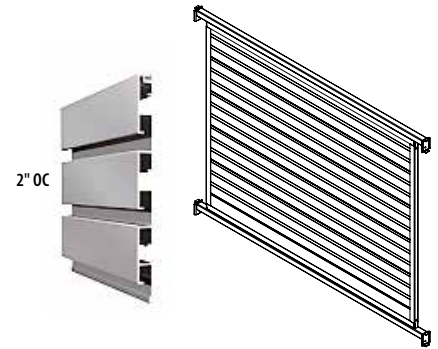
- Nominal widths are 24", 36" or 48" (610 mm, 914 mm and 1219 mm)
- Nominal heights are 40", 48", 54" or 60" (1016 mm, 1219 mm, 1372 mm or 1524 mm)
- MegaWall™ Back Panel Insert is slotted on two sides ONLY
- MegaWall™ Backs are 2" OC slotting
- Back is a one-piece unit and easily installs into side slots of the Luxe Queuing Post

### LUQBMW(NW)(NH)(OPT1)

LUQB .... Luxe Queuing System Back  
 MW .... MegaWall™  
 NW .... Nominal Width 24", 36" or 48"  
 (640 mm, 914 mm or 1219 mm)  
 NH .... Nominal Height 40", 48", 54" or 60"  
 (1016 mm, 1219 mm, 1372 mm or 1524 mm)  
 OPT1 .... U=Unpainted (raw aluminium)

### Finish Code

FIN1 .... Frame  
 FIN2 .... MegaWall™

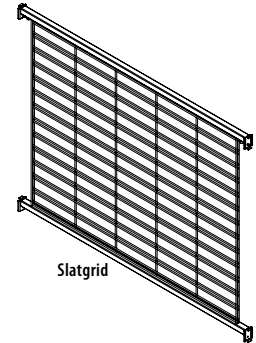


## Luxe Queuing Wire Grid Backs with One (1) Panel Per Section

- Nominal widths are 24", 36" or 48" (610 mm, 914 mm and 1219 mm)
- Nominal heights are 40", 48", 54" or 60" (1016 mm, 1219 mm, 1372 mm or 1524 mm)
- Wire Grid back is center mounted in each section
- Back is a one-piece unit and easily installs into side slots of the Luxe Queuing Post

### LUQB(TYPE)SP(NW)(NH)

LUQB .... Luxe Queuing System Wire Back  
 TYPE .... Grid Type  
 SG=Slatgrid  
 MG=Mini Grid  
 MPG=Multi-Purpose Grid  
 2X2=2x2 Grid  
 3X3= 3x3 Grid  
 MSG=Modified Slatgrid  
 MHG=Modified Harmonic Grid  
 SP .... Single Panel  
 NW .... Nominal Width 24", 36" or 48"  
 (640 mm, 914 mm or 1219 mm)  
 NH .... Nominal Height 40", 48", 54" or 60"  
 (1016 mm, 1219 mm, 1372 mm or 1524 mm)

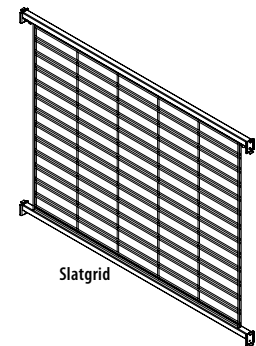


## Luxe Queuing Wire Grid Backs with Two (2) Panels Per Section

- Nominal widths are 24", 36" or 48" (610 mm, 914 mm and 1219 mm)
- Nominal heights are 40", 48", 54" or 60" (1016 mm, 1219 mm, 1372 mm or 1524 mm)
- Two wire grid backs are mounted in each section, allowing independent merchandising
- Back is a one-piece unit and easily installs into side slots of the Luxe Queuing Post

### LUQB(TYPE)DP(NW)(NH)

LUQB .... Luxe Queuing System Wire Back  
 TYPE .... Grid Type  
 SG=Slatgrid  
 MG=Mini Grid  
 MPG=Multi-Purpose Grid  
 2X2=2x2 Grid  
 3X3= 3x3 Grid  
 MSG=Modified Slatgrid  
 MHG=Modified Harmonic Grid  
 DP .... Double Panel  
 NW .... Nominal Width 24", 36" or 48"  
 (640 mm, 914 mm, or 1219 mm)  
 NH .... Nominal Height 40", 48", 54" or 60"  
 (1016 mm, 1219 mm, 1372 mm or 1524 mm)

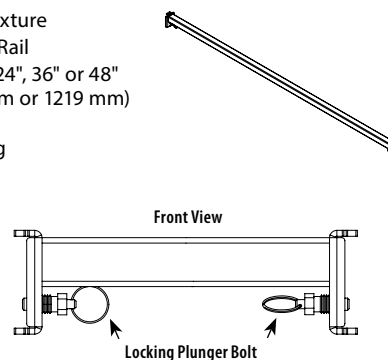


## Luxe Queuing Fixture Post Connector Rail

- Nominal widths are 24", 36" or 48" (610 mm, 914 mm and 1219 mm)
- Rails are installed across post where shelving and accessories are not needed
- Produces an open look with greater merchandise visibility in the queuing area
- Minimum of two (2) required per section (more can be added if required)

### LUQFPCR(NW)(OPT)

LUQF .... Luxe Queuing Fixture  
 PCR .... Post Connector Rail  
 NW .... Nominal Width 24", 36" or 48"  
 (640 mm, 914 mm or 1219 mm)  
 OPT .... Blank=Locking  
 NL=Non-Locking



### NOTE!

Includes a locking plunger bolt on both ends of the Connector Rail if locking option selected.

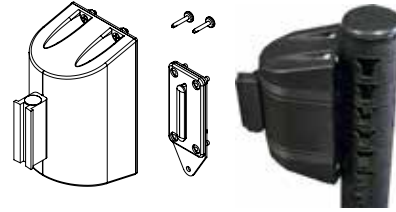


## Luxe Queuing Retractable Retainer

- Retractable belt fits into the face of the post/stanchion
- Housing and receiving clip easily hangs and is secured to the slots in the Luxe Queuing Post
- Can be moved where needed
- 5½"H x 3"W x 3"D (140 mm x 76 mm x 76 mm), retainer extends 71/2' (2286 mm)

### LUQRR

LUQRR .... Luxe Queuing Retractable Retainer

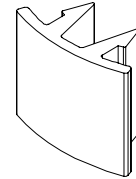


## Luxe Backing Locking Insert

- All backs [except LUQFPC(NW)] include four (4) locking inserts
- Pack of 8 inserts

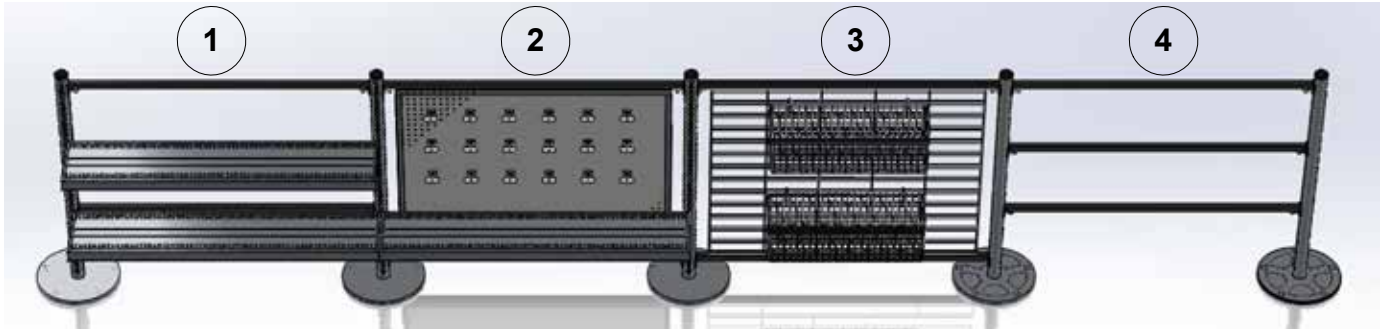
### LUXBLI-BLK

LUXBLI .... Luxe Back Locking Insert  
BLK .... Black



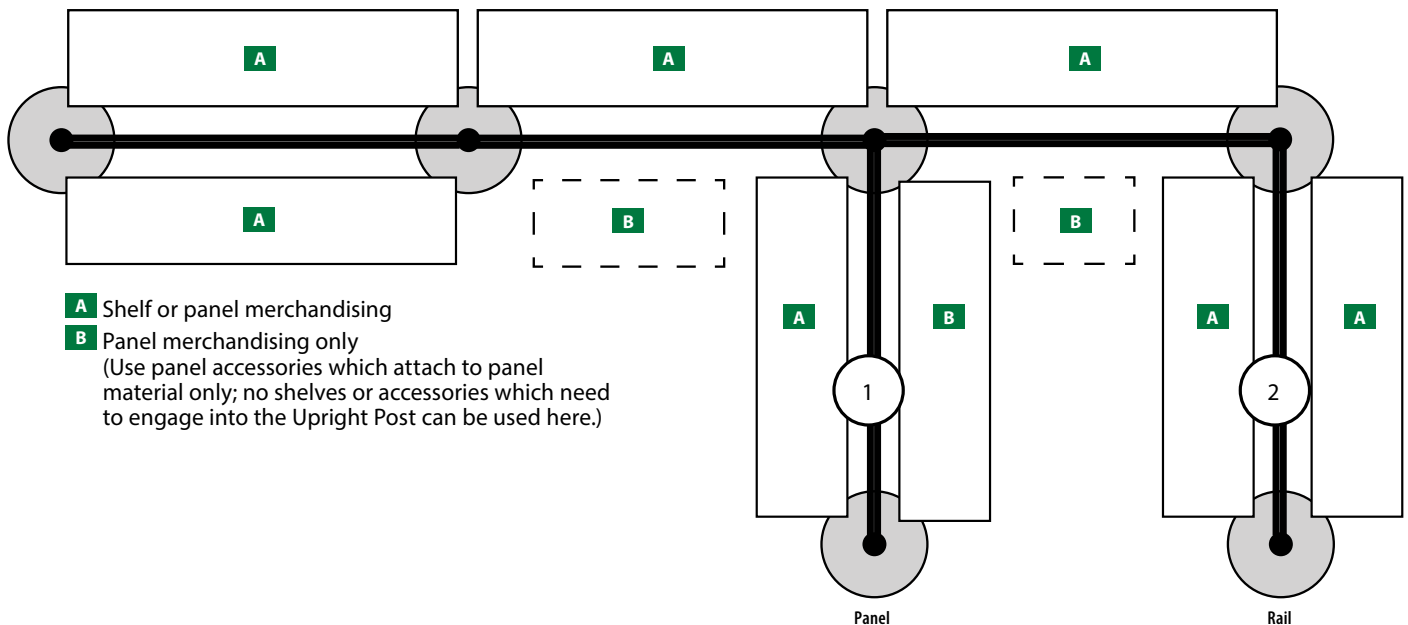
## Merchandising the Luxe Queuing System

1. If a section has a 4-sided post and only rails, it can only have shelf merchandising.
2. If a section has a 4-sided post and a panel that can be merchandised, it can have a shelf and panel merchandising.
3. If a section has a 2-sided post and a panel that can be merchandised, it can only be panel merchandised.
4. If a section has a 2-sided post and only rails, it **cannot** be merchandised.



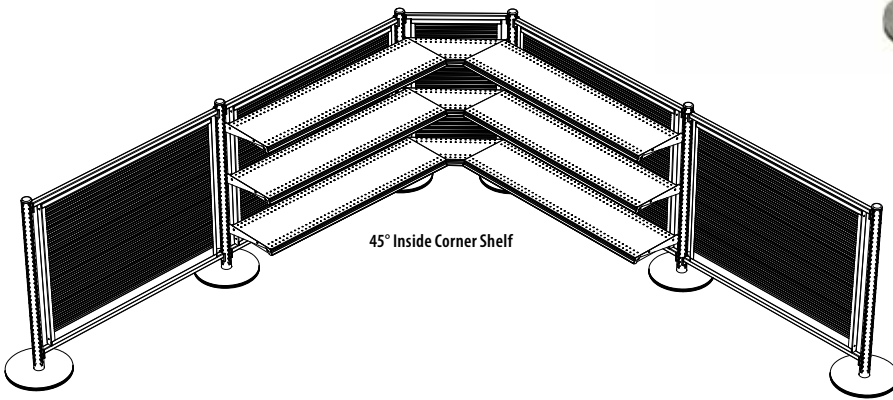
## Certain panel placement can restrict merchandising capabilities

1. The plan below uses all posts with slots on four sides.
2. If a panel blocks the slots on a post, shelf merchandising **is not** possible.
3. Exception: If connection rails are used (see number four above), shelf merchandising is possible between the connector rails where the slots are not used.

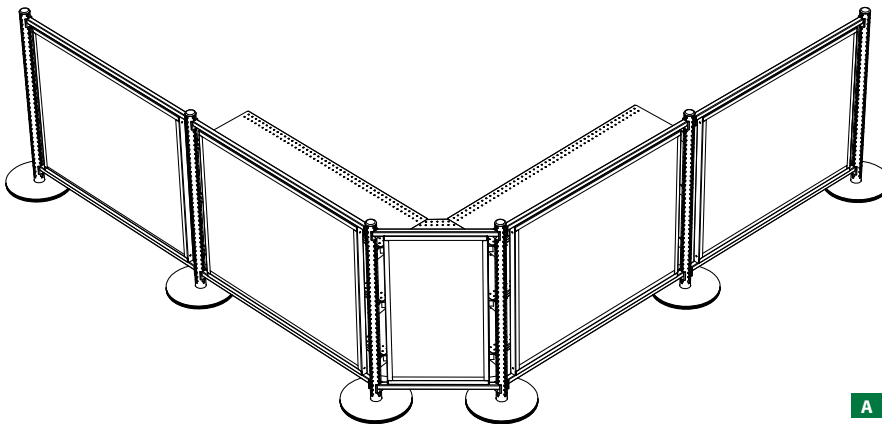


## Luxe Queuing: 45-Degree Inside Corner Panel and Shelf

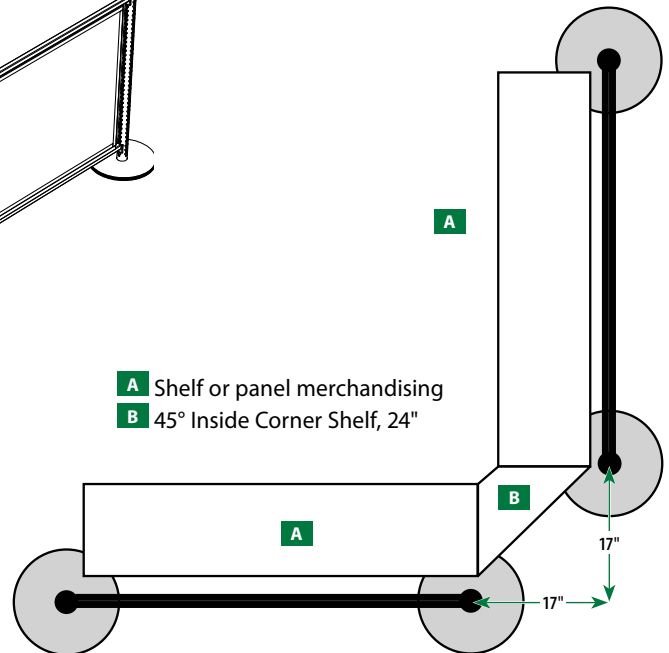
A new angle for impulse merchandising! Madix's most flexible queuing solution, Luxe Queuing, now comes with accessories specifically designed to cut corners and extend merchandising space. The Inside Corner Panel connects two perpendicular side panels to create a 45-degree "bend," creating a softer, more aesthetic appearance. Plus, using the corresponding Inside Corner Shelf, retailers can build seamless shelving runs that not only look great, but perform even better!



45° Inside Corner Shelf



Outside of 45° Inside Corner Shelf



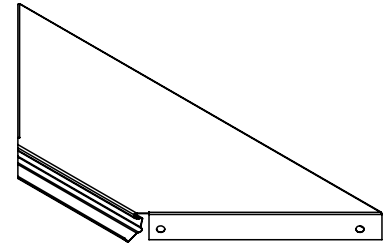


### Luxe 45° Corner Shelf

- Maximum shelf depth is 06" (152 mm) only
- Corner shelf bolts into adjacent shelves at the same level
- Shelf does not come with brackets
- Use with 06" (152 mm) Standard Upright Shelves [SUS-(NW)06] only

### LUQSUS45-06

LUQ .... Luxe Queuing  
 SUS .... Standard Upper Shelf  
 45 .... 45°  
 06 .... Nominal Depth 06" (152 mm)

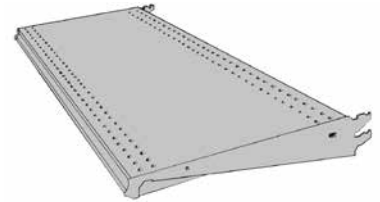


### Standard Upper Shelf

- Maximum shelf depth is 06" (152 mm) only

### SUS-(NW)06

SUS .... Standard Upper Shelf  
 NW .... Nominal Width 3' or 4'  
 (914 mm or 1219 mm)  
 06 .... Nominal Depth 06" (152 mm)



### Luxe Queuing Post Slotted on Four (4) Sides

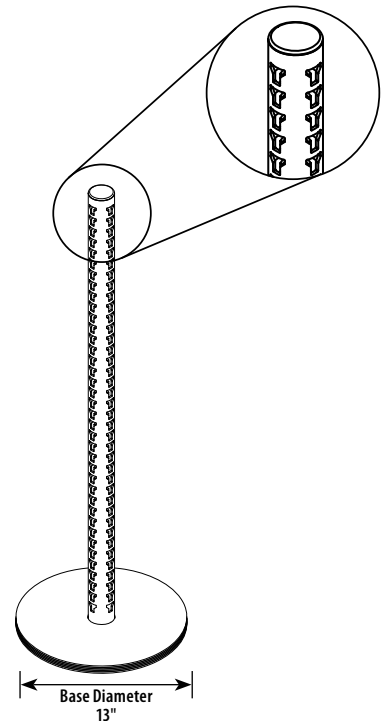
- Especially designed for Maxi Shelves and Accessories (with brackets)
- Provides the most flexibility for configurations—four slots allow for 90° turns in four different directions
- Creates sharp, neat corners without need for filler panels
- Base diameter of 13" (330 mm)
- Maximum post height of 60" (1524 mm), if taller posts are required please call your Sales Representative

### LUQP(NH)S4

LUQP .... Luxe Queuing System Post  
 NH .... Nominal Height 40", 48", 54" or 60"  
 (1016 mm, 1219 mm, 1372 mm, or 1524 mm)  
 S4 .... S4=Slotted 4-Sided



Queuing Post Detail



**All shelves and accessories should not exceed 6" (152 mm) deep, when standard 13" (330 mm) round base is used. Call your Madix Representative if deeper accessories are required.**

## Luxe Queuing Hardboard Back 45°

- Nominal width is 24" (610 mm)
- Nominal heights are 40", 48", 54" or 60" (1016 mm, 1219 mm, 1372 mm or 1524 mm)

### LUQB45(BACK1)(BACK2)DP(NW)(NH)

LUQB .... Luxe Queuing System Back  
45 .... 45°

BACK1 .... Interior Back  
H=Hardboard  
HL=Hardboard Laminated  
P=Pegboard  
PL=Pegboard Laminated

BACK2 .... Exterior Back  
H=Hardboard  
HL=Hardboard Laminated  
P=Pegboard  
PL=Pegboard Laminated

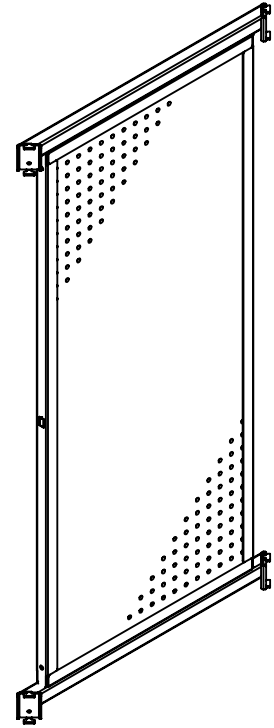
DP .... Double Panel

NW .... Nominal Width 24" (640 mm)

NH .... Nominal Height 40", 48", 54" or 60"  
(1016 mm, 1219 mm, 1372 mm or 1524 mm)

### Finish Code

FIN1 .... Metal  
FIN2 .... Interior Back  
FIN3 .... Exterior Back



## Luxe Queuing Wire Grid Back 45°

- Nominal width is 24" (610 mm)
- Nominal heights are 40", 48", 54" or 60" (1016 mm, 1219 mm, 1372 mm or 1524 mm)
- Double-sided back will have the same wire grid

### LUQB45(TYPE)(OPT)(NW)(NH)

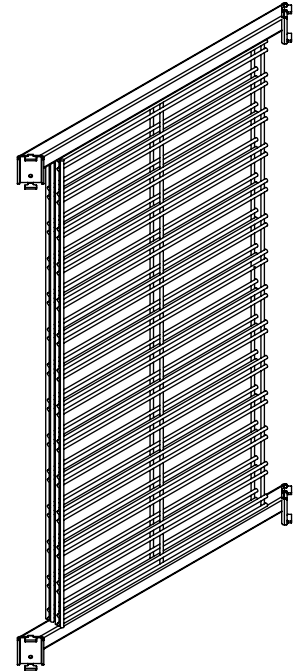
LUQB .... Luxe Queuing System Back  
45 .... 45°

TYPE .... Wire Grid Type  
SG=Slat Grid  
MG=Mini Grid  
MPG=Multi Purpose Grid  
2X2=2" x 2" Grid  
3X3=3" x 3" Grid  
MSG=Modified Slat Grid  
MHG=Modified Harmonic Grid

OPT .... SP=Single Sided  
DP=Double Sided

NW .... Nominal Width 24" (640 mm)

NH .... Nominal Height 40", 48", 54" or 60"  
(1016 mm, 1219 mm, 1372 mm or 1524 mm)



**Luxe Queuing Slatwall Back 45°**

- Nominal width is 24" (610 mm)
- Nominal heights are 40", 48", 54" or 60" (1016 mm, 1219 mm, 1372 mm or 1524 mm)

**LUQB45(BACK1)(BACK2)(OPT)(NW)(NH)**

LUQB .... Luxe Queuing System Back  
45 .... 45°

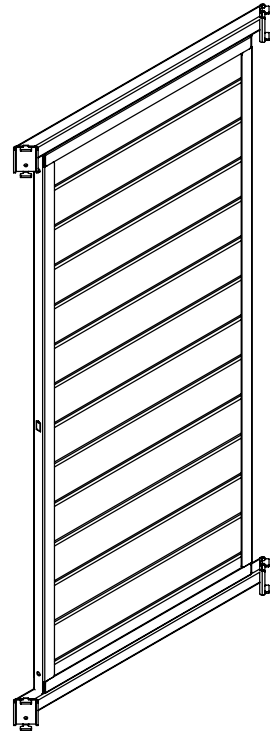
BACK1 .... Interior Back  
SWL=Slatwall Laminated  
SWP=Slatwall Painted  
SWM=Slatwall Melamine

BACK2 .... Exterior Back  
SWL=Slatwall Laminated  
SWP=Slatwall Painted  
SWM=Slatwall Melamine  
Blank=Single-Sided

OPT .... SP=Single Panel  
DP=Double Panel

NW .... Nominal Width 24" (640 mm)

NH .... Nominal Height 40", 48", 54" or 60"  
(1016 mm, 1219 mm, 1372 mm or 1524 mm)

**Luxe Queuing MegaWall™ Back 45°**

- Nominal width is 24" (610 mm)
- Nominal heights are 40", 48", 54" or 60" (1016 mm, 1219 mm, 1372 mm or 1524 mm)
- Single-sided MegaWall™ back that is 2" OC and slotted on two sides

**LUQB45MW(NW)(NH)**

LUQB .... Luxe Queuing System Back  
45 .... 45°

MW .... MegaWall™

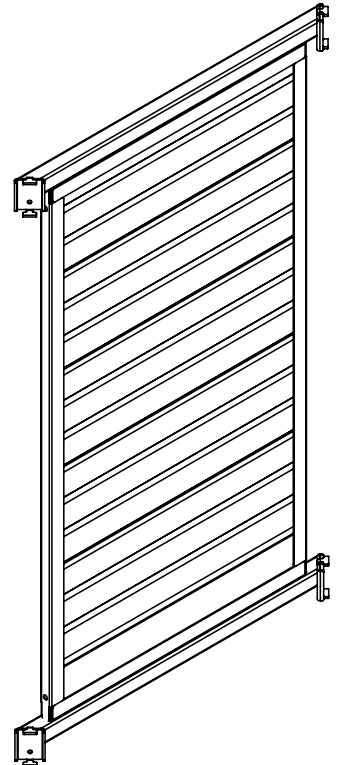
NW .... Nominal Width 24" (640 mm)

NH .... Nominal Height 40", 48", 54" or 60"  
(1016 mm, 1219 mm, 1372 mm or 1524 mm)

**Finish Code**

FIN1 .... Frame

FIN2 .... MegaWall™





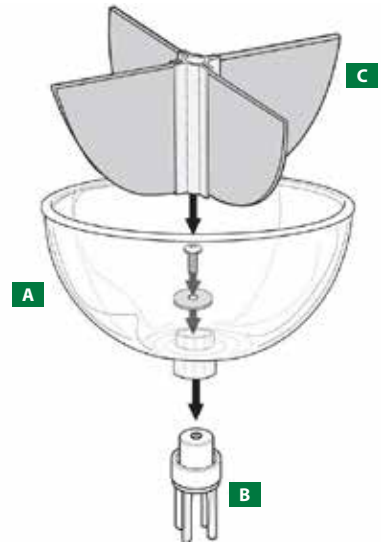
## 3 Pick Your Accessories *Pick from hundreds of accessories.*

### A Queuing Bowl

- 12" Diameter x 6" High (305 mm x 152 mm)
- Must order Queuing Bowl Insert (QB1700997) to install Queuing Bowl and/or Queuing Systems Sign Holder and Stem [QSSH(SIZE)] on Luxe Queuing Post

#### QB700922

QB .... Queuing Bowl



### B Queuing Bowl Insert

- Insert attaches to bowl or bowls with sign holders in the Luxe Upright
- Available in black only

#### QB1700997

QB .... Queuing Bowl Insert



### C Queuing Bowl Divider

- Clear acrylic 4-way divider

#### QBDIV12-04

QB .... Queuing Bowl  
DIV .... Divider  
12 .... 12" (305 mm)  
04 .... 4 Dividers

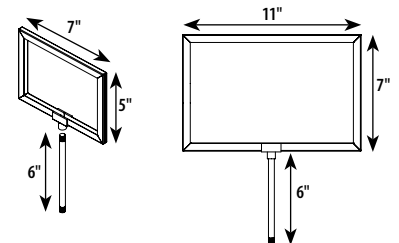


### Queuing Systems Sign Holder and Stem

- 5"H x 7"W (127 mm x 178 mm)
- 7"H x 11"W (178 mm x 279 mm)
- Use with part Queuing Bowl Insert (QB170097) if sign holder QSSH(SIZE) is required in a Luxe Post

#### QSSH(SIZE)

QSSH .... Queuing Systems Sign Holder and Stem  
SIZE .... 5X7 or 7x11



## Standard Upper Shelf Flat, 15° or 30° Downslope

- 1¼" (32 mm) tag molding integrally formed into front edge of shelf surface
- Versatility of three positions: flat, 15° downslope or 30° downslope
- Load capacity, flat position: 6" (152 mm) = 200 lbs
- Load capacities based on evenly distributed static loading
- For additional load capacity, see the Shelf Loading section
- SUS and STP shelves do not align when placed side by side

### SUS-(NW)6

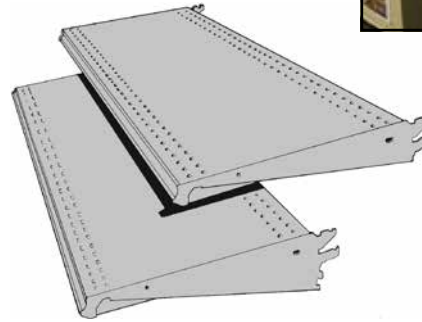
- SUS .... Standard Upper Shelf  
 NW .... Nominal Width 2' to 4' in 6" increments  
 (610 mm to 1219 mm in 152 mm increments)  
 6 .... Nominal Depth 6" (152 mm)

### STP(NW)06

- STP .... Straight-in Insertion Three Position  
 NW .... Nominal Width 2' to 4' in 6" increments  
 (610 mm to 1219 mm in 152 mm increments)  
 06 .... Nominal Depth 6" (152 mm)



**NOTE!**  
 If add-on aluminum tag molding is desired,  
 use selected type as suffix immediately  
 after part number.  
 Example: SUS-410-M17S



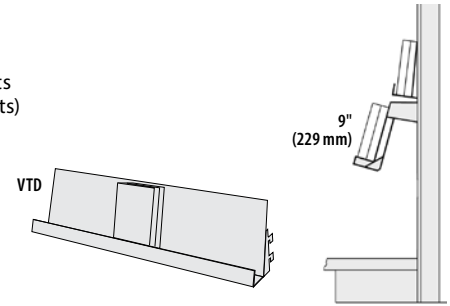
**All shelves and accessories should not exceed 6" (152 mm) deep, when standard 13" (330 mm) round base is used. Call your Madix Representative if deeper accessories are required.**

## Various Type Display

- 7° upslope, 8"H (203 mm) back 2½"D (64 mm) shelf, ¾"H (19 mm) front lip

### VTD(TYPE)(NL)(ND)

- VTD .... Various Type Display
- TYPE .... Blank=No Extension
- NL .... Nominal Length 24" to 48" in 6" increments (610 mm to 1219 mm in 152 mm increments)
- ND .... Nominal Depth 09" (for SXT only) (229 mm—for SXT only)

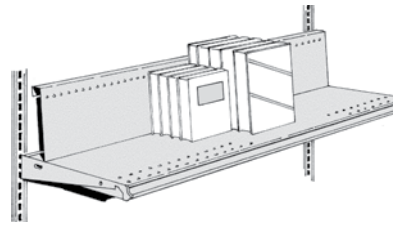


## Uptilt Shelf with Bookshelf Back

- 7° uptilt
- "Straight-in" insertion two tab brackets
- 8"H (203 mm) welded book back for rapid installation
- Accepts Wire Dividers (BKSD) and End Panels (BKSBE) both sold separately

### UTSBKSB(NW)(ND)-08-7

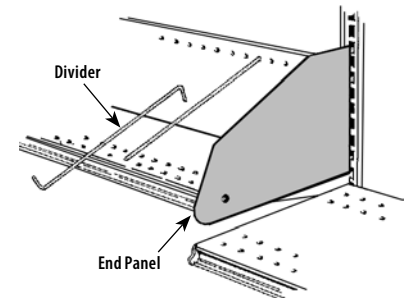
- UTS .... Uptilt Shelf
- BKSB .... Bookshelf Back
- NW .... Nominal Width 36" or 48" (914 mm or 1219 mm)
- ND .... Nominal Depth 8" to 16" in 2" increments (203 mm to 406 mm in 51 mm increments)
- 08 .... Nominal Back Height 8" (203 mm)
- 7 .... 7° Uptilt



## Bookshelf End Panel

### BKSBE(ND)-6

- BKS .... Bookshelf
- BEP .... End Panel
- ND .... Nominal Depth 08" or 10" (203 mm to 254 mm)
- 6 .... 6 Pack



## Bookshelf Wire Divider

### BKSD-(ND)-25

- BKS .... Bookshelf
- D .... Wire Divider
- ND .... Nominal Depth 06" to 10" in 2" increments (152 mm to 254mm in 51 mm increments)
- 25 .... 25 Pack

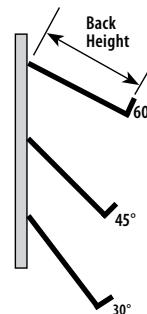
**NOTE!**  
Order Bookshelf Wire Divider 2" shorter than nominal depth of shelf.

## Uptilt Shelf

- Shelf back available in 10" (254 mm)
- 4" (102 mm) shelf depth only

### UTSN(DEGREE)-(NW)-(NH)4

- UTSN .... Uptilt Shelf
- DEGREE .... 30°, 45°, or 60° Tilt
- NW .... Nominal Width 3' or 4' (914 mm or 1219 mm)
- NH .... Nominal Back Height 10" (254 mm)
- 4 .... Shelf Depth 4" (102 mm)



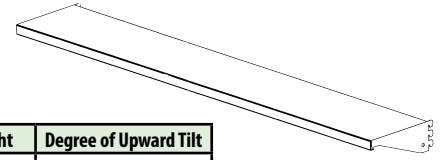
**All shelves and accessories should not exceed 6" (152 mm) deep, when standard 13" (330 mm) round base is used. Call your Madix Representative if deeper accessories are required.**

## Multi Media Bookshelf

- Available in widths of 24", 36" and 48", in depths of 6" or 8"
- Load capacity 150 lb
- To ensure placement of products, there will be an upward slope on the shelves when fixture is assembled

### AOBS-(NW)(ND)

- AOBS .... Multi Media Display Bookshelf
- NW .... Nominal Width 24", 36" or 48"  
(610 mm, 914 mm or 1219 mm)
- ND .... Nominal Depth  
06=6" (152 mm)  
08=8" (203 mm)  
10=10" (254 mm)



Height	Degree of Upward Tilt
54"	10.5°
60"	7.0°
66"	6.5°
72"	6.0°
78"	6.0°
84"	5.0°

### NOTE!

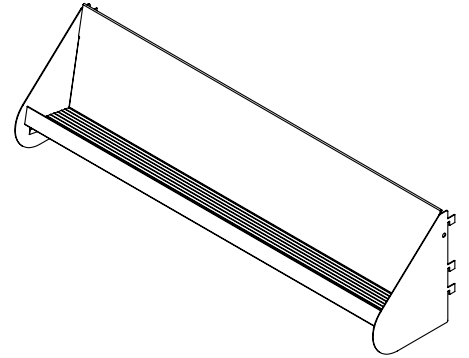
The angle of the shelves decreases with relation to fixture height. Please see chart to determine shelf angle for fixture height.

## Single Tier Magazine Displayer

- 5" (127 mm) pocket
- Optional plastic runner available

### DMT-(NW)-(ND)-(OPT)

- DMT .... Single Tier Magazine Displayer
- NW .... Nominal Width 3' or 4'  
(914 mm or 1219 mm)
- ND .... Nominal Depth 5" or 7"  
(203 mm to 254 mm)
- OPT .... Blank=Runner  
NR=No plastic runner

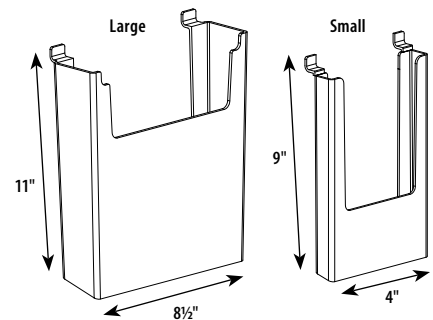


## Magazine Holder Slatwall Mount

- Available in small, 4"W x 9"H (102 mm x 229 mm) or large 8½"W x 11" (216 mm x 279 mm)

### MAGHLDRSWM(OPT)

- MAG .... Magazine
- HLDR .... Holder
- SWM .... Slatwall Mount
- OPT .... S=Small  
L=Large



**All shelves and accessories should not exceed 6" (152 mm) deep, when standard 13" (330 mm) round base is used. Call your Madix Representative if deeper accessories are required.**

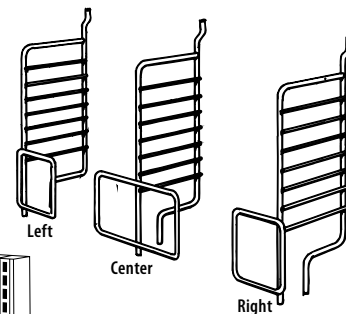
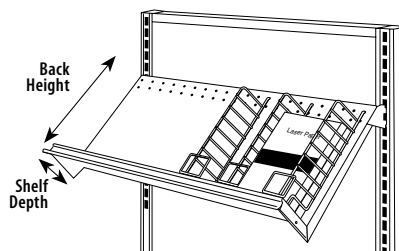


### Uptilt Shelf Wire Divider

- Designed to be used as divider on the Uptilt Shelf [UTSN(DEGREE)-(NW)-(NH)4]
- Variety of widths and depths available
- When ordering, please specify left, right or center

### UTSWD-(NH)(ND)-(TYPE)

UTSWD .... Uptilt Shelf Wire Divider  
 NH .... Nominal Height 10" to 18" in 2" increments  
 (254 mm to 457 mm in 51 mm increments)  
 ND .... Nominal Depth 4", 6" or 8"  
 (102 mm, 152 mm or 203 mm)  
 TYPE .... C=Center  
 LH=Left-Hand  
 RH=Right-Hand



### Multi-Purpose Dividers

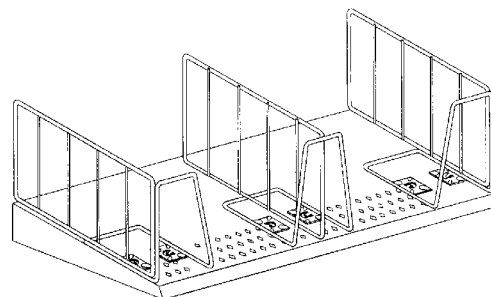
- Specifically designed to boost product visibility and accessibility
- Tension fit multi-purpose dividers attach without hardware and provide fast and easy reset of shelf
- 6"H x 10"D (152 mm x 254 mm) for 10" (152 mm) shelf depth

### DV050610CM(POSITION)(OPT)

DV050610CM.....Multi-Purpose Dividers  
 POSITION.....L=Left  
 R=Right  
 C=Center  
 OPT .....Blank=Standard finish Chrome

### Finish Code

PC059.....Satin Black  
 PC811 .....Cream  
 PC812.....Dove Gray  
 PC829.....White

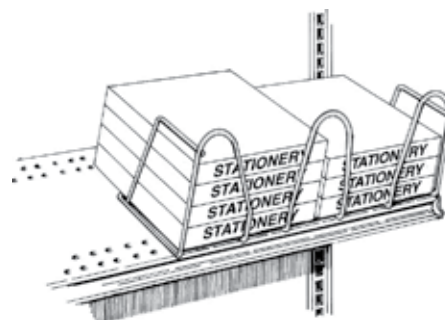
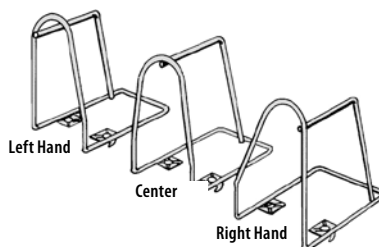


### Multi-Purpose Wire Divider

- Solution for maintaining separation of products
- 3¾"W x 7¾"H x 6¾"D (95 mm x 197 mm x 171 mm)
- Dividers clip into front shelf perforations
- Minimum product width is 6" (152 mm)
- End dividers sold in pairs

### WDMP-(OPT)

WDMP .... Multi-Purpose Wire Divider  
 OPT .... C=Center  
 E=Ends, Pairs Only

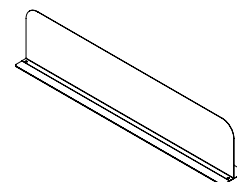


### Metal Shelf Cross Divider

- Horizontal shelf divider
- Attaches to shelf with magnetic strip

### MSCD(NW)

MSCD... Metal Shelf Cross Divider  
 NW ... Nominal Width 24" to 48" in 6" increments  
 (610 mm to 1219 mm in 152 mm increments)



### Metal Shelf Divider

- Attaches to shelf with magnetic strip
- 10" (254 mm) maximum depth shelf for Luxe Queuing

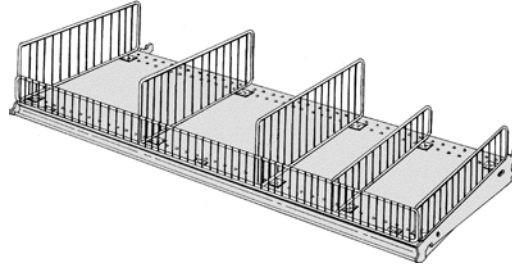
### MSD-(ND)(NH)

MSD .... Metal Shelf Divider  
 ND .... Nominal Depth 10" (254 mm)  
 NH .... Nominal Height 4", 8", 12" or 24"  
 (102 mm, 203 mm, 305 mm or 610 mm)

**All shelves and accessories should not exceed 6" (152 mm) deep, when standard 13" (330 mm) round base is used. Call your Madix Representative if deeper accessories are required.**

## Wire Binning

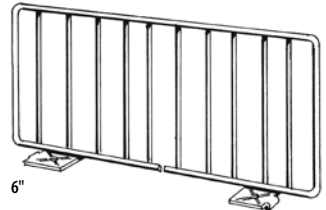
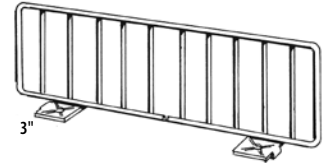
- Versatile design allows any size divider
- Attaches to shelf perforations with welded-on "feet"
- Use fronts with or without dividers
- Use dividers with or without fronts
- Vertical wires on 1" (25 mm) centers
- Chrome plated finish



## Wire Binning Front

### PMF-(NH)(NW)-1-(OPT)

- PMF.... Front  
 NH.... Nominal Height 3" or 6"  
 (76 mm or 152 mm)  
 NW.... Nominal Width 36" or 48"  
 (914 mm or 1219 mm)  
 1.... Single  
 OPT.... Blank=Chrome  
 P=Painted



## Wire Binning Divider

### PMD-(NH)(ND)-1-(OPT)

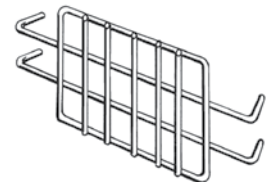
- PMD.... Divider  
 NH.... Nominal Height 3" or 6"  
 (76 mm or 152 mm)  
 ND.... Nominal Depth 08" or 10"  
 (203 mm or 254 mm)  
 1.... Single Pack  
 OPT.... Blank=Chrome  
 P=Painted



## Wire Binning Cross Divider

### MC-(NH)(NW)-10-(OPT)

- MC.... Cross Divider  
 NH.... Nominal Height 3" (76 mm)  
 NW.... Nominal Width 6" to 12" in 2" increments  
 (152 mm to 305 mm in 51 mm increments)  
 10.... 10 Pack  
 OPT.... Blank=Chrome  
 P=Painted



## Shelf Retainer

- Sturdy metal angle provides retaining lip for merchandise
- Ideal for use when shelf is in 15° downslope position
- Mounting hardware included

### SR-(NW)-(NH)-10

- SR.... Shelf Retainer  
 NW.... Nominal Width 3' or 4'  
 (914 mm or 1219 mm)  
 NH.... Blank=1" (22 mm)  
 2=2" (51 mm)  
 3=3" (76 mm)  
 4=4" (102 mm)  
 10.... 10 Pack



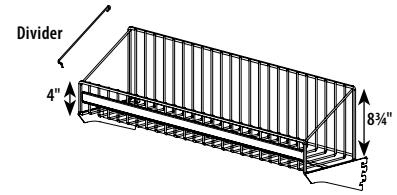
**All shelves and accessories should not exceed 6" (152 mm) deep, when standard 13" (330 mm) round base is used. Call your Madix Representative if deeper accessories are required.**

## Luxe Queuing Impulse Basket

- Maximum depth of 10" (254 mm)
- Includes tag
- Snap in wire dividers included:
  - 30" = 4 dividers
  - 36" = 5 dividers
  - 42" = 6 dividers
  - 48" = 7 dividers

### LUQIB-(NW)

- LUQ .... Luxe Queuing
- IB .... Impulse Basket
- NW .... Nominal Width 30", 36", 42" or 48"  
(762 mm, 914 mm, 1067 mm or 1219 mm)
- ND .... Nominal Depth 06"  
(152 mm)

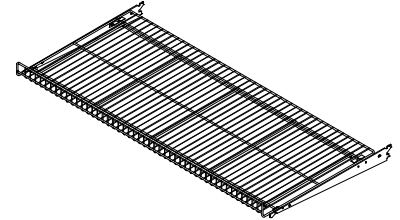


## Bakery Wire Shelf with Welded Brackets

- Wire Basket Brackets welded to Bakery Wire Shelf

### MBWSB-(NW)(ND)-(TAG)(EDGE)

- MBWS .... Madix Bakery Wire Shelf
- WB .... Welded Brackets
- NW .... Nominal Width 3' or 4'  
(914 mm or 1219 mm)
- ND .... Nominal Depth 06" (152 mm)
- TAG .... Mold Tag Finish:  
BLANK=Painted Color of Shelf  
DGA2A=Silver Finish
- EDGE .... Edge Type  
Blank=Straight Edge Position  
L=Lip Edge



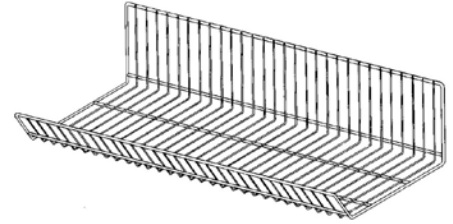
**All shelves and accessories should not exceed 6" (152 mm) deep, when standard 13" (330 mm) round base is used. Call your Madix Representative if deeper accessories are required.**

## Open End Baskets

- Designed to be flexible, OEBs can be configured two ways for strong, neat displays that clean easily, do not collect dust, and increase accessibility to merchandise
- Reversible mounting for maximum display flexibility
- Mounted from the back, baskets rest flat to create a neat wall of merchandise
- Mounted from the front, baskets hang at 30° downslant, creating a "gravity feed" configuration
- Recommended using minimum of three dividers for added support
- Load capacity 75 lbs for OEBs up to 16"W (406 mm)
- Standard finishes: Satin Black, Cream, Dove Gray, White or Powder Chrome

### BS01(ND)(NW)

- BS01 .... Open End Basket
- ND .... Nominal Depth 09" (229 mm)  
Actual Depth 11" (279 mm)
- NW .... Nominal Width 24", 30", 36" or 48"  
(610 mm, 762 mm, 914 mm or 1219 mm)



#### NOTE!

Overall depth is approximately 2" (51 mm) deeper than nominal depth.

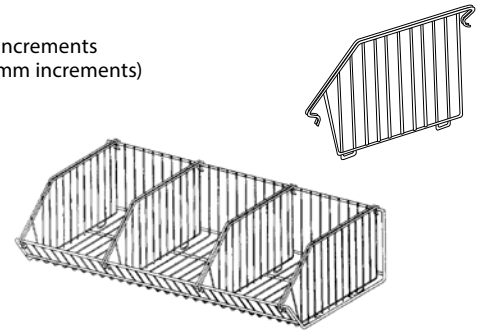
Optional Roll-On Clips use finish code -C

## Open End Basket Divider

- Enhance your OEBs with orderly compartments using 6-Way Locking OEB Dividers
- Locks securely into place
- Easily repositioned
- Create custom sized compartments by using dividers at any location along basket
- Increase basket strength and load capacity using at least three dividers per basket, one in center and one on each end
- Standard finishes: Satin Black, Cream, Dove Gray, White or Powder Chrome

### DV02(ND)(NH)

- DV02 .... OEB Divider
- ND .... Nominal Depth 09", 12" to 24" in 2" increments  
(229 mm, 305 mm to 610 mm in 51 mm increments)
- NH .... Nominal Height 9" (229 mm)



**All shelves and accessories should not exceed 6" (152 mm) deep, when standard 13" (330 mm) round base is used. Call your Madix Representative if deeper accessories are required.**

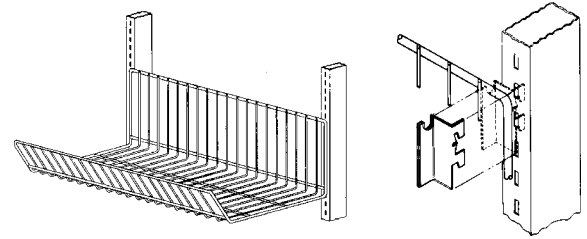


## Z Brackets

- Used as a suspension method from 1" (25 mm) universally slotted upright
- Used when Open End Baskets [BS01(ND(NW))] are the same length or slightly shorter than the centerline distance between uprights
- Standard finish: Zinc Plated

### AC123141(HAND)Z

AC123141.... Z Brackets  
 Hand.... L=Left-Hand Option  
 R=Right-Hand Option  
 Z.... Z Brackets



## Slatwall Brackets

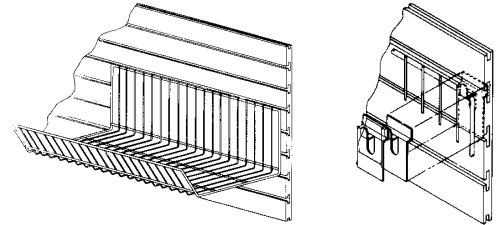
- Mount directly to slatwall or slatgrid
- Provides heavy-duty hook from which Open End Baskets [BS01(ND(NW))] hang
- Use two or three per basket

### AC999SWB(FIN1)

AC999SWB.... Slatwall Brackets

#### Finish Code

FIN1 .... CR=Chrome Finish  
 PC059=Satin Black  
 PC811=Cream  
 PC812=Dove Gray  
 PC829=White

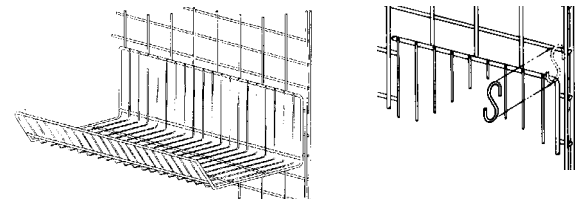


## Wire S Hooks

- An inexpensive method to hang Open End Baskets [BS01(ND(NW))] from grid
- Suited for medium duty applications
- Use two or three per basket
- Standard finish: Zinc Plated

### ACPH123265

ACPH123265.... Wire S Hooks

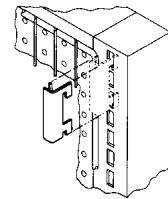


## Loose OEB Brackets

- Secures perimeter frame wire to slotted upright
- Easily attach to front or back of Open End Baskets [BS01(ND(NW))]

### AC1230(TYPE)(HAND)

AC1230 .... Loose OEB Brackets  
 TYPE .... 57=2" (51 mm)  
 44=2½" (64 mm)  
 43=1 Tab  
 Hand .... L=Left  
 R=Right

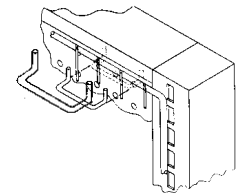


## Pegboard Hooks

- Suspends OEBs from pegboard
- Suited for light to medium duty applications
- Two or three required per basket
- Standard finish: Zinc plated

### ACPH123268

AC123268 .....Pegboard Hooks

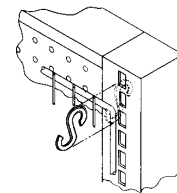


## Flat S Hooks

- An inexpensive method to hang Open End Baskets [BS01(ND(NW))] from slotted upright
- For medium or heavy-duty applications
- Standard finish: Zinc plated

### AC125(OPT)Z

AC125 .... Flat S Hooks  
 OPT .... 237=Medium-Duty  
 143=Heavy-Duty  
 Z .... Zinc finish



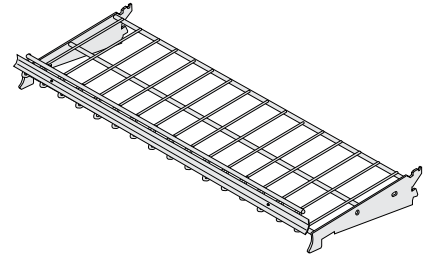
**All shelves and accessories should not exceed 6" (152 mm) deep, when standard 13" (330 mm) round base is used. Call your Madix Representative if deeper accessories are required.**

## Wire Candy Shelf

- Used for lightweight merchandising
- Two position brackets, flat or 15° down, and a 2" (51 mm) high front lip allows various product presentations
- Wires are spaced 1½" (38 mm) OC
- Optional tag molding accepts 1¼" (32 mm) tags
- Load capacity 30 lbs

## WCANS(NW)(ND)-TAG

- WCANS .... Wire Candy Shelf
- NW .... Nominal Width 36" or 48"  
(914 mm or 1219 mm)
- ND .... Nominal Depth 06" to 10" in 2" increments  
(152 mm to 254 mm in 51 mm increments)
- TAG .... Tag Mold Option:  
DGA2A=Aluminum  
DGA2P=Painted

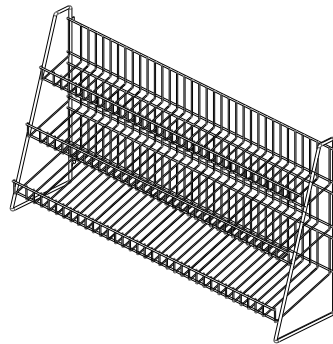


## Wire Candy Rack

- Display small boxes of candy, cookies and other snack items
- May be used on either a Base Shelf or Upper Shelf
- 36" or 48"W x 24"H x 8"D  
(914 mm or 1219 mm)
- 1" (25 MM) OC wire spacing

## WCANR-(NW)

- WCANR... Wire Candy Rack
- NW... Nominal Width 36" or 48"  
(914 mm or 1219 mm)

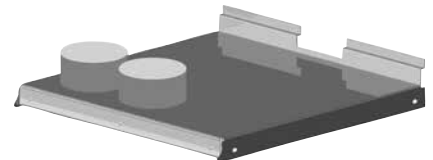


## Slatwall Shelf

- Attaches to wooden or metal slatwall
- Can also span across vertical upright, allowing for maximum utilization of merchandising space
- Load capacity 60 lbs

## SWSH-(NW)(ND)(OPT1)(OPT2)

- SWSH .... Slatwall Shelf
- NW .... Nominal Width 18" to 48" in 6" increments  
(457 mm to 1219 mm in 152 mm increments)
- ND .... Nominal Depth 06" to 10" in 2" increments  
(152 mm to 254 mm in 51 mm increments)
- OPT1 .... Tag Option  
Blank=Welded Tag  
A=DGA2 Aluminum  
PC=DGA2 Powder Coat  
NT=No Tag
- OPT2 .... Laminate Option  
Blank=No Laminate  
L=Laminate



### NOTE!

This shelf needs to be ordered 12" (305 mm) less than section width, when used with Luxe Queuing Solution.

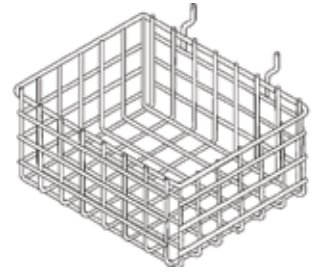
Example: 48" (1219 mm) section, shelves need to be 36" (914 mm).

**All shelves and accessories should not exceed 6" (152 mm) deep, when standard 13" (330 mm) round base is used. Call your Madix Representative if deeper accessories are required.**

## Peg Basket

- Versatile basket for small impulse items
- Dimensions: 3¾"H x 6¾"D x 8¼"W (95 mm x 171 mm x 210 mm)
- Mounts to wood or metal slatwall
- Load capacity 2 lbs

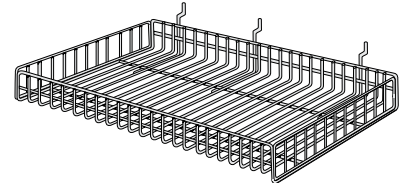
**PEGB**  
PEGB.... Peg Basket



## Classic Pegboard Basket

- Peg and Slatwall Wire Basket fits both standard pegboard or slatwall back panels
- Basket height is 3¾" (95 mm)
- Mounts to wood or metal slatwall
- Load capacity 50 lbs

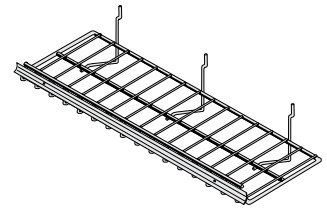
**CBPSW-(NW)(ND)**  
CBPSW.... Classic Basket for Pegboard and Slatwall  
NW.... Nominal Width 24" (610 mm)  
ND.... Nominal Depth 10" or 12" (254 mm or 35 mm)



## Wire Snack Shelf

- For lightweight merchandising of items
- Optional tag molding accepts 1¼" (32 mm) tags
- Available in 0° or 15° downtilt
- Load capacity 30 lbs

**WCANSSW(NL)(ND)-(OPT)**  
WCANS.... Wire Candy Snack Shelf  
SW.... Slatwall  
NL.... Nominal Length 24" to 48" in 6" increments (610 mm to 1219 mm in 152 mm increments)  
ND.... Nominal Depth 08" or 10" (203 mm or 254 mm)  
OPT.... Degree Option:  
Blank=0°  
15=15°



### NOTE!

This shelf needs to be ordered 12" (305 mm) less than section width, when used with Luxe Queuing Solution two slot post.

Example: 48" (1219 mm) section, shelves need to be 36" (914 mm).

**All shelves and accessories should not exceed 6" (152 mm) deep, when standard 13" (330 mm) round base is used. Call your Madix Representative if deeper accessories are required.**

**Utility Baskets**

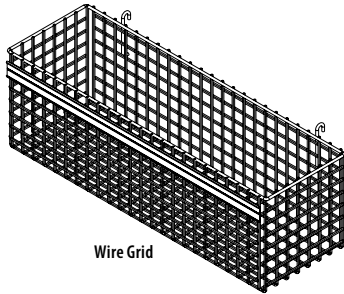
- Use with wire grid, pegboard, or shelves
- Basket's 1¼" (32 mm) tag molding affords space for pricing information
- 18¼"W x 3¾"H x 3½"D (464 mm x 95 mm x 100 mm)
- Load capacity 25 lbs

**WUB-(NW)(ND)(NH)-(TYPE)**

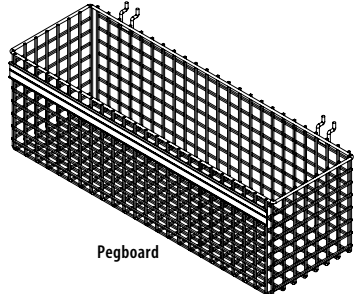
WUB .... Wire Utility Basket  
 NW .... 18" Width (457 mm)  
 ND .... 04" Depth (102 mm)  
 NH .... 04" Height (102 mm)  
 TYPE .... Mount Type:  
 WG=Wire Grid  
 P=Pegboard  
 S=Shelving



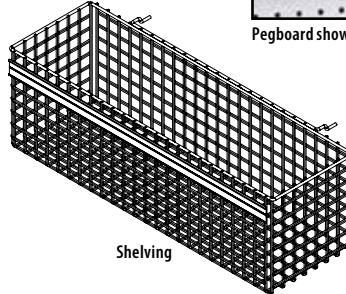
Pegboard shown



Wire Grid



Pegboard



Shelving

**Slatwall Mount Wire DVD Shelf**

- For use in standard Maxi Line shelving sections that use Slatwall Back Panels
- Brackets are designed to give approximately 10° uptilt to shelf
- Load capacity 25 lbs

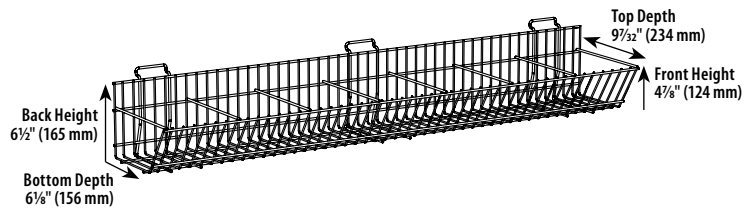
**SMWDVDS-(NW)**

SMWDVDS....Slatwall Mount Wire DVD Shelf  
 NW ....Nominal Width 36" or 48"  
 (914 mm or 1219 mm)



**NOTE!**  
 Does not work in Slatgrid due to size of clip.

**NOTE!**  
 This shelf needs to be ordered 12" (305 mm) less than section width, when used with Luxe Queuing Solution two slot post.  
 Example: 48" (1219 mm) section, shelves need to be 36" (914 mm).



**All shelves and accessories should not exceed 6" (152 mm) deep, when standard 13" (330 mm) round base is used. Call your Madix Representative if deeper accessories are required.**

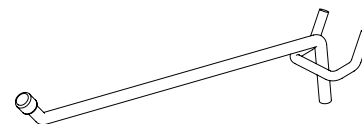


## Peg Hook-Single Prong

- For ¼" (6 mm) perforations
- Four gauge
- .212 diameter wire
- Galvanized

### PH(NL)-PACK

PH.... Peg Hook  
 NL.... Nominal Length 4" to 12" in 2" increments  
 (102 mm to 305 mm in 51 mm increments)  
 PACK.... Pack Size:  
 1=1  
 12=12  
 500=500  
 1000=1,000

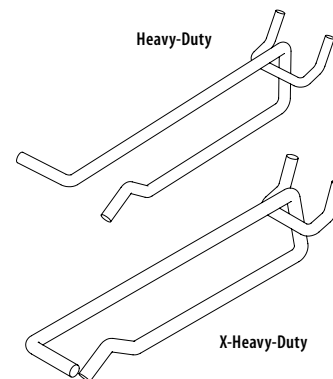


## Scanner Peg Hook

- For ¼" (6 mm) perforations
- Heavy-duty, .186 diameter wire
- Extra Heavy-duty, .212 diameter wire
- Galvanized

### SPH(TYPE)-(NL)-10

SPH.... Scanner Peg Hook  
 TYPE.... HD=Heavy-Duty  
 XHD=Extra Heavy-Duty  
 NL.... Nominal Length 4" to 12" in 2" increments  
 (102 mm to 305 mm in 51 mm increments)  
 10.... 10 Pack

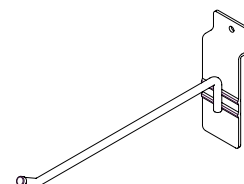


## Slatwall Peg Hook

- .224 diameter wire
- Galvanized

### SWPH-(NL)-(PACK)

SWPH.... Slatwall Peg Hook  
 NL.... Nominal Length 04" to 12" in 2" increments  
 (102 mm to 305 mm in 51 mm increments)  
 PACK.... Pack Size:  
 Blank=1  
 10=10

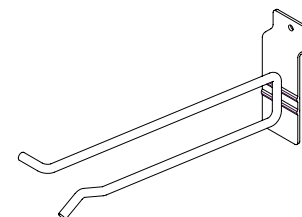


## Slatwall Scanner Hook

- .212 diameter wire
- Galvanized

### SWLHSH-(NL)-(PACK)

SWLHSH... Slatwall Scanner Hook  
 NL.... Nominal Length 04" to 12" in 2" increments  
 (102 mm to 305 mm in 51 mm increments)  
 PACK.... Pack Size:  
 1=1  
 10=10

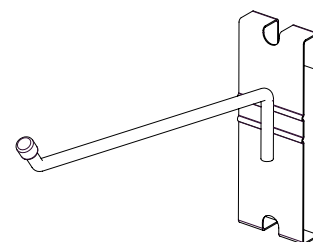


## Wire Grid Peg Hook

- .224 diameter wire
- Galvanized

### WGPH-(NL)-(PACK)

WGPH.... Wire Grid Peg Hook  
 NL.... Nominal Length 4" to 12" in 2" increments  
 (102 mm to 305 mm in 51 mm increments)  
 PACK.... Pack Size:  
 10=10

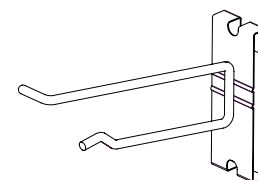


## Wire Grid Scanner Hook

- .212 diameter wire
- Galvanized

### RGS-(NL)-(PACK)

RGS.... Wire Grid Scanner Hook  
 NL.... Nominal Length 4" to 12" in 2" increments  
 (102 mm to 305 mm in 51 mm increments)  
 PACK.... Pack Size:  
 50=50  
 100=100



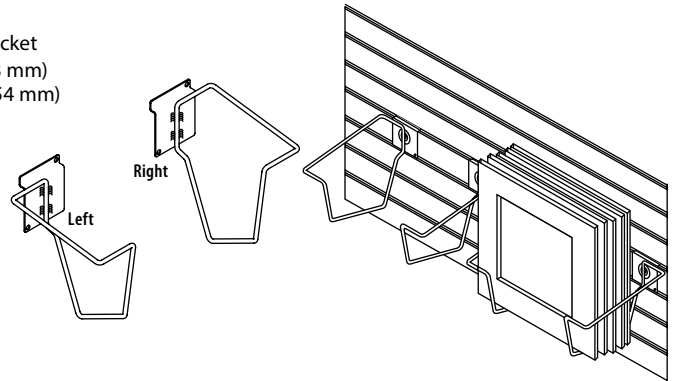
**All shelves and accessories should not exceed 6" (152 mm) deep, when standard 13" (330 mm) round base is used. Call your Madix Representative if deeper accessories are required.**

## Slatwall Frame Display

- Fits into wooden or metal slatwall
- Ships as a pair, left and right-hand
- Can be adjusted to match width of product
- Load Capacity 40 lbs per pair

### FAB(SIZE)

FAB .... Framed Art Bracket  
 SIZE .... S=Small 7" (178 mm)  
 L=Large 10" (254 mm)

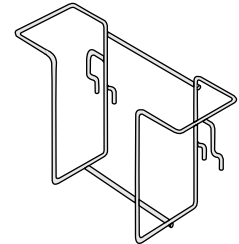


## Wire Grid Brochure Holder

- Holder measures 3½" deep (89 mm)
- Available in 4", 6" and 8½" widths (102 mm, 152 mm, and 216 mm)

### WBH-(NL)-WG

WBH .... Wire Brochure Holder  
 NL .... Nominal Length  
 04=4" (102 mm)  
 06=6" (152 mm)  
 85=8½" (216 mm)  
 WG .... Wire Grid

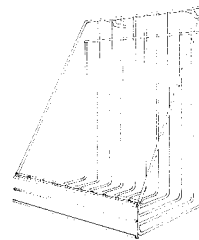


## Shelf Extender Basket Displayer

- Mounts to perforations of Standard Upper Shelves, allowing additional merchandising space
- 10"W x 10"H x 3"D (254 mm x 254 mm x 76 mm)
- Front lip accommodates 1"H (25 mm) integral tag molding and accepts pricing or signage

### SEBD

SEBD .... Shelf Extender Basket Displayer

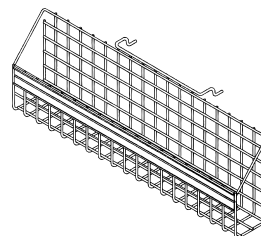


## Shelf Extender Basket

- Movable basket hooks in front row of perforations in Standard Upper Shelves
- Ideal for literature or other lightweight items
- 18"W x 2½"D (457 mm x 64 mm), ¾" (83 mm) front height, 6" (152 mm) back height
- Tag molding accepts ¼" (32 mm) tags

### SEB

SEB .... Shelf Extender Basket



**All shelves and accessories should not exceed 6" (152 mm) deep, when standard 13" (330 mm) round base is used. Call your Madix Representative if deeper accessories are required.**

## Multi-Purpose Adjustable Bins

- Clear plastic bins to merchandise small impulse items
- Use two Luxe Queuing Multi-Purpose Hooks for Pegboard or Slatwall (LUQMPHOOKPSW) to attach to pegboard, MegaWall™, mini grid, slatgrid, or slatwall (ordered separately)
- Use two Multi-Purpose Hooks for Wire Grid (LUQMPHOOKKWG) to attach bins to square wire grid patterns (ordered separately)
- Place up to three dividers to maximize your sales and profitability (ordered separately)
- Sizes available:
  - Small Bin (7½"L x 11⅞"W x 5⅞"H)
  - Medium Bin (10¼"L x 11⅞"W x 5⅞"H)
- 1¼" (32 mm) tag mold on front for pricing

### LUQMPABIN-(OPT)

LUQ .... Luxe Queuing  
 MPABIN .... Multi-Purpose Adjustable Bins  
 OPT .... SM=Small  
 MD=Medium



Medium - shown with one LUQMPBINDIV-MD divider, medium



Small - shown with two LUQMPHOOKKWG hooks and three LUQMPBINDIV-SM divider, small

## Multi-Purpose Adjustable Bin Divider

- Clear plastic dividers
- Order up to three dividers for small and medium Multi-Purpose Adjustable Bins [LUQMPABIN-(OPT)]

### LUQMPBINDIV-(OPT)

LUQ .... Luxe Queuing  
 MP .... Multi-Purpose  
 BINDIV .... Adjustable Bin Divider  
 OPT .... SM=Small  
 MD=Medium



## Multi-Purpose Hook for Pegboard or Slatwall

- Clear plastic hooks, used to hang Multi-Purpose Adjustable Bins [LUQMPABIN-(OPT)] or Multi-Purpose Tray (LUQMPTRAY) on pegboard, MegaWall™, mini grid, slatgrid, or slatwall
- Two required per bin (ordered separately)

### LUQMPHOOKPSW

LUQ .... Luxe Queuing  
 MP .... Multi-Purpose  
 HOOK .... Hook  
 PSW .... for Pegboard or Slatwall



## Multi-Purpose Hook for Wire Grid

- Clear plastic hooks, used to hang Multi-Purpose Adjustable Bins [LUQMPABIN-(OPT)] or Multi-Purpose Tray (LUQMPTRAY) on wire grid
- Two required per bin or tray (ordered separately)

### LUQMPHOOKKWG

LUQ .... Luxe Queuing  
 MP .... Multi-Purpose  
 HOOK .... Hook  
 WG .... for Wire Grid



## Multi-Purpose Tray

- Clear plastic trays to merchandise small impulse items
- 9"D x 16"W x 3"H (229 mm x 406 mm x 76 mm)
- 1¼" (32 mm) tag mold on front for pricing
- One divider per bin (ordered separately)

### LUQMPTRAY

LUQ .... Luxe Queuing  
 MP .... Multi-Purpose  
 TRAY .... Tray



Shown with one LUQMPTRAYDIV, divider

## Multi-Purpose Tray Divider

- Clear plastic divider, for use with Multi-Purpose Tray (LUQMPTRAY)
- One divider per bin (ordered separately)

### LUQMPTRAYDIV

LUQ .... Luxe Queuing  
 MP .... Multi-Purpose  
 TRAY .... Tray  
 DIV .... Divider



**All shelves and accessories should not exceed 6" (152 mm) deep, when standard 13" (330 mm) round base is used. Call your Madix Representative if deeper accessories are required.**



**madix**<sup>™</sup>  
INNOVATION ON DISPLAY

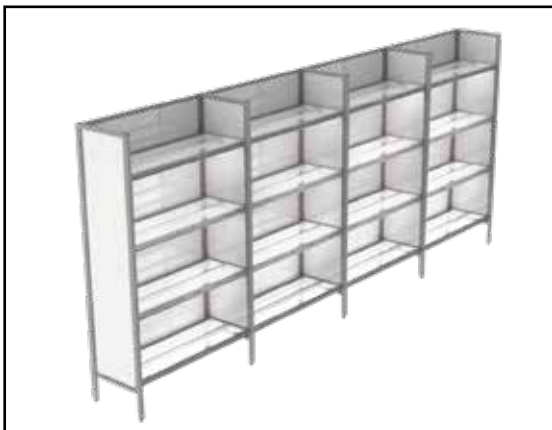


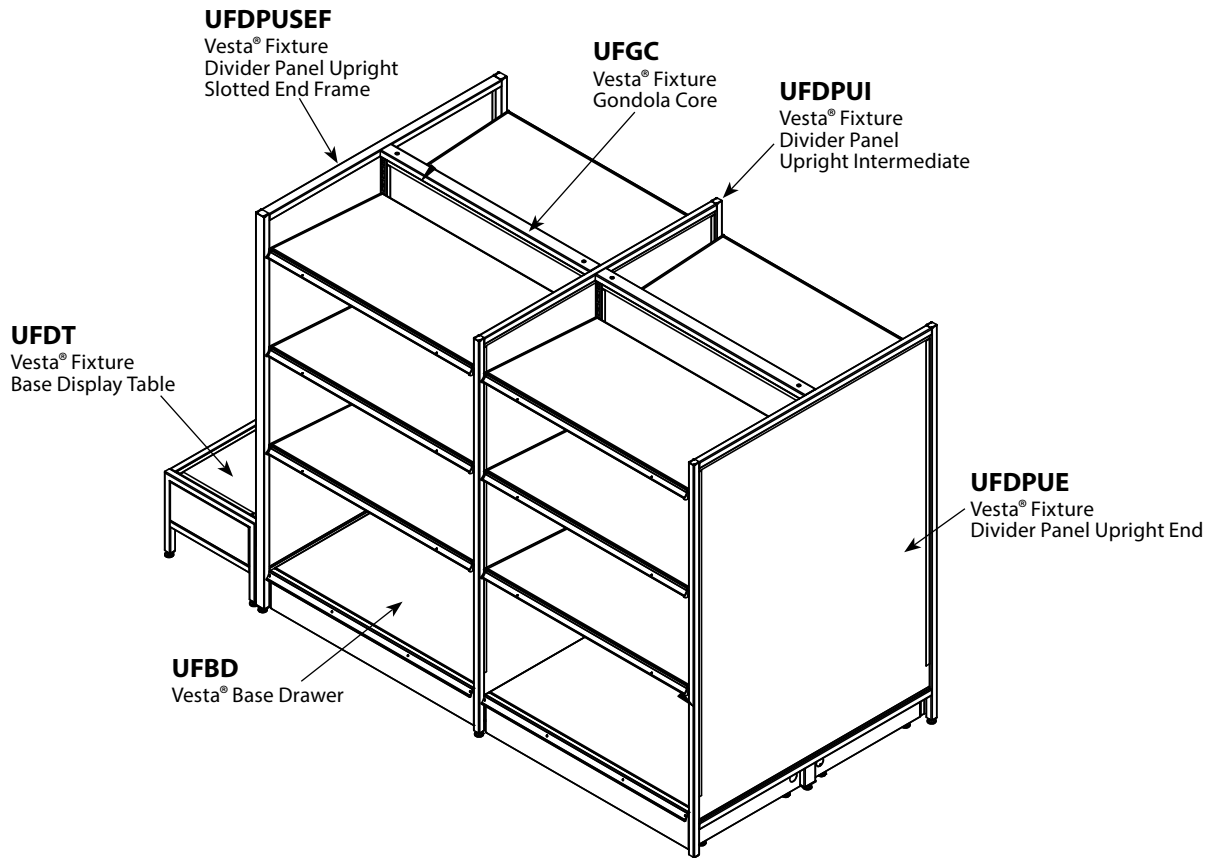
Vesta<sup>®</sup>





Madix's new Vesta® fixture creates a high-end, custom appearance. Vesta's optionally equipped LEDge Lights and acrylic shelves draw attention to merchandise by allowing lighting to fully penetrate the fixture's surfaces. When lit, it glows. Additional options include Base Drawers and Base Display Tables. It's ideal for many market segments, especially health and beauty, home goods, kitchenware and apparel.





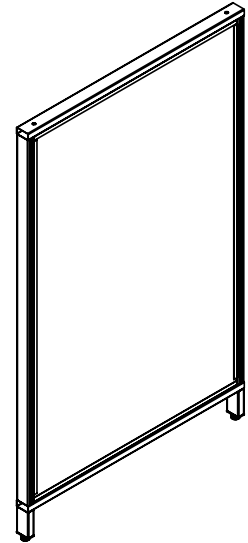
Use this Nominal Width Divider Panel for:						
Desired Shelf Depth	Wall	Double Sided Gondola	Slotted End Frame	Useable Depth		
UFUSA(OPT1)-(NW)(ND)(OPT1)	UFWDP(OPT1)(NW)(NH)(OPT2)	UFDPU(OPT1)(NW)(NH)(OPT2)	UFDPUSEF(NW)(NH)(OPT)	ACTUAL	UFBP(NW)(ND)(NH)	UFDT(NW)(ND)(NH)(OPT1)(OPT2)
Nominal Shelf Depth	Wall Divider Panel	Gondola Divider Panel	Gondola Divider Panel	Available Depth	Drawer (Flushed to Front)	Base Table (Flushed to Front)
10"		24"		11.5"	N/A	11"
12"		30"		14.5"	14"	14"
14"		32"		15.5"	15"	15"
14"	20"			16.5"	16"	16"
16"		36"		17.5"	17"	17"
16"	22"			18.5"	18"	18"
18"		42"		20.5"	20"	20"
20"	26"			22.5"	22"	22"
20" or 22"				23.5"	23"	23"
22"	28"			25"	24"	24"
24"	30"			26.5"	26"	26"

**Vesta Fixture Gondola Core**

- Slim profile 1" x 2" (25 mm x 51 mm) tubing upright
- Only two-tab Madix shelving may be used
- Easy installation

**UFGC(NW)(NH)(OPT1)(OPT2)**

- UF .... Vesta Fixture
- GC .... Gondola Core
- NW .... Nominal Width  
24", 30", 32", 36", 42" or 48"  
(610 mm, 762 mm, 813 mm, 914 mm, 1067 mm or 1219 mm)
- NH .... Nominal Height  
48", 54", 60", 66", 72", 84" or 90"  
(1219 mm, 1372 mm, 1524 mm, 1676 mm, 1829 mm, 2134 mm or 2286 mm)
- OPT1 .... Back Panel One  
FA=Frosted Acrylic  
MP=Milk Plex  
HL=Hardboard
- OPT2 .... Back Panel Two  
FA=Frosted Acrylic  
MP=Milk Plex  
HL=Hardboard  
Z=No Back

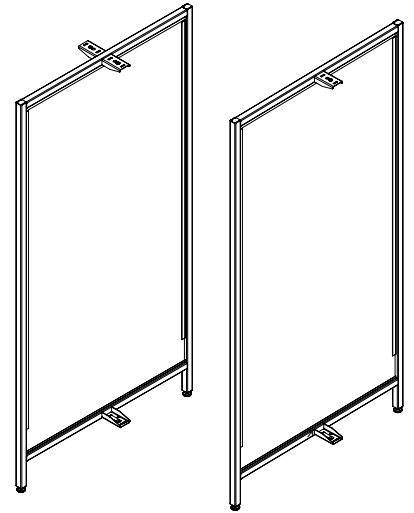


**Vesta Fixture Upright Divider Panel, End and Intermediate**

- For use on a gondola when shelves are on both sides
- Only two-tab Madix shelving may be used
- Easy installation

**UFDPU(OPT1)(NW)(NH)(OPT2)**

- UF .... Vesta Fixture
- DPU .... Divider Panel Upright
- OPT1 .... E=End  
I=Intermediate
- NW .... Nominal Width  
18", 24", 30", 36", 42" or 48"  
(457 mm, 610 mm, 762 mm, 914 mm, 1067 mm or 1219 mm)
- NH .... Nominal Height  
48", 54", 60", 66", 72", 84" or 90"  
(1219 mm, 1372 mm, 1524 mm, 1676 mm, 1829 mm, 2134 mm or 2286 mm)
- OPT2 .... Back Panel  
FA=Frosted Acrylic  
MP=Milk Plex  
HL=Hardboard

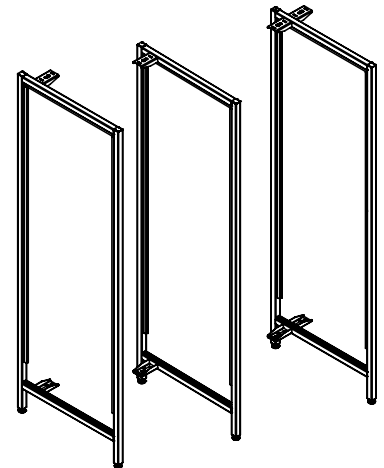


**Vesta Fixture Wall Divider Panel Upright End or Intermediate**

- Slim profile 1" x 1" (25 mm x 25 mm) tubing
- Single-panel design
- Easy installation
- Not slotted for shelves

**UFWDP(OPT1)(NW)(NH)(OPT2)**

- UF .... Vesta Fixture
- WDPU .... Wall Divider Panel Upright
- OPT1 .... I=Intermediate  
L=Left Hand  
R=Right Hand
- NW .... Nominal Width  
18", 20", 22", 24", 26" or 30"  
(457 mm, 508 mm, 559 mm, 610 mm, 660 mm or 762 mm)
- NH .... Nominal Height  
48", 54", 60", 66", 72", 84" or 90"  
(1219 mm, 1372 mm, 1524 mm, 1676 mm, 1829 mm, 2134 mm or 2286 mm)
- OPT2 .... Back Panel  
FA=Frosted Acrylic  
MP=Milk Plex  
HL=Hardboard

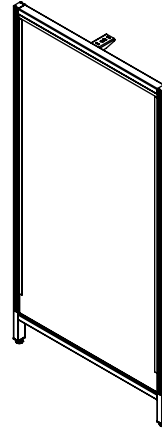


## Vesta Fixture Divider Panel Upright Slotted End Frame

- Slim profile 1" x 1½" (25 mm x 38 mm) tubing
- Only two-tab Madix shelving may be used
- Easy installation

### UFDPUSEF(NW)(NH)(OPT)

UF .... Vesta Fixture  
 DPU .... Divider Panel Upright  
 SEF .... Slotted End Frame  
 NW .... Nominal Width  
 18", 24", 30", 36", 42", or 48"  
 (457 mm, 610 mm, 762 mm,  
 914 mm, 1067 mm, or 1219 mm)  
 NH .... Nominal Height  
 48", 54", 60", 66", 72", 84", or 90"  
 (1219 mm, 1372 mm, 1524 mm,  
 1676 mm, 1829 mm, 2134 mm,  
 or 2286 mm)  
 OPT .... Back Panel  
 FA=Frosted Acrylic  
 MP=Milk Plex  
 HL=Hardboard

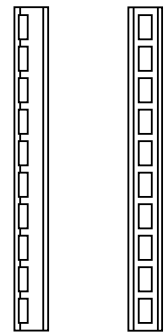
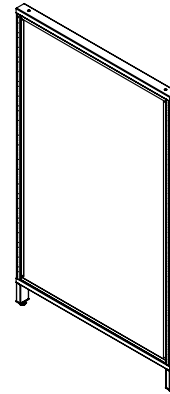


## Vesta Fixture Gondola Core with Offset Slots

- Offset slotting is narrower and decreases the growth of the Vesta system by .375" (10 mm) per section
- Appearance is further improved by reducing the gap between the divider panels and shelves, tables, and base drawers
- Easy installation

### UFGCOS(NW)(NH)(OPT1)(OPT2)

UF .... Vesta Fixture  
 GCOS .... Gondola Core with Offset Slots  
 NW .... Nominal Width  
 24", 30", 32", 36", 42" or 48"  
 (610 mm, 762 mm, 813 mm,  
 914 mm, 1067 mm or 1219 mm)  
 NH .... Nominal Height  
 48", 54", 60", 66", 72", 84" or 90"  
 (1219 mm, 1372 mm, 1524 mm,  
 1676 mm, 1829 mm, 2134 mm  
 or 2286 mm)  
 OPT1 .... Back Panel 1  
 FA=Frosted Acrylic  
 MP=Milk Plex  
 HL=Hardboard  
 OPT2 .... Back Panel 2  
 FA=Frosted Acrylic  
 MP=Milk Plex  
 HL=Hardboard  
 Z=No Back



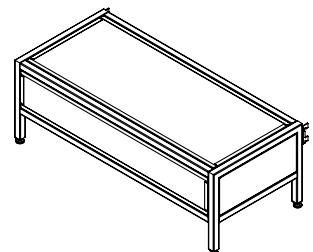
Offset Slotting .750" x .225"  
1" OC  
 Standard Slotting .750" x .375"  
1" OC

## Vesta Fixture Display Table

- Can be installed in the run or used as an end-cap display
- Optional lighting helps merchandise stand out
- Standard panels: Milk Plex

### UFDT(NW)(ND)(NH)(OPT1)(OPT2)

UF .... Vesta Fixture  
 DT .... Display Table  
 NW .... Nominal Width  
 24", 30", 32", 36", 42" or 48"  
 (610 mm, 762 mm, 813 mm,  
 914 mm, 1067 mm or 1219 mm)  
 ND .... Nominal Depth 12", 14" or 16"  
 (305 mm, 356 mm or 406 mm)  
 NH .... Nominal Height 12"  
 (305 mm)  
 OPT1 .... Front Panel Option  
 FA=Frosted Acrylic  
 MP=Milk Plex  
 HL=Hardboard Laminated Two Sides  
 OPT2 .... Top Panel Option  
 FA=Frosted Acrylic  
 MP=Milk Plex  
 HL=Hardboard

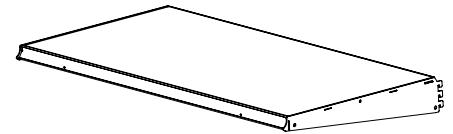


**Vesta Fixture Shelf**

- Slim profile shelf maximizes merchandise space
- Includes standard 1¼" (32 mm) tag molding
- Standard Tops: Clear Acrylic, Frosted Acrylic, Milk Plex, Tempered Glass and Hardboard Laminated
- Other tops available; please contact your Sales Representative for more options
- Load capacity is 100 lbs

**UFUSA(OPT1)-(NW)(ND)(OPT1)**

- UF .... Vesta Fixture
- USA .... Upper Shelf Assembly
- OPT1 .... Light Option
  - NL=No Light
  - Blank=with Light
- NW .... Nominal Width
  - 18", 24", 30", 36", 42" or 48"
  - (457 mm, 610 mm, 762 mm, 914 mm, 1067 mm or 1219 mm)
- ND .... Nominal Depth 8" to 24" in 2" increments
  - (203 mm to 610 mm in 51 mm increments)
- OPT1 .... Top Option
  - FA=Frosted Acrylic
  - MP=Milk Plex
  - HL=Hardboard Laminated 2 Sides
  - TG=Tempered Glass
  - CA=Clear Acrylic
  - ND=None

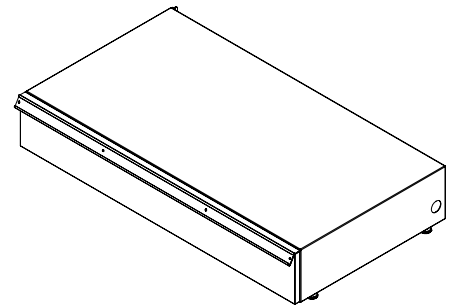


**Vesta Fixture Base Drawer**

- Optional base drawer with tag molding
- Allows inventory storage on sales floor
- Ball-bearing slides allow easy operation

**UFBD(NW)(ND)(NH)**

- UF .... Vesta Fixture
- BD .... Base Drawer
- NW .... Nominal Width 24", 36", 42" or 48"
  - (610 mm, 914 mm, 1067 mm or 1219 mm)
- ND .... Nominal Depth 14" to 26"
  - (356 mm to 660 mm)
- NH .... Nominal Height
  - 06" or 08" (152 mm or 203 mm)



**Lighted Upper Shelf Assembly, No Light**

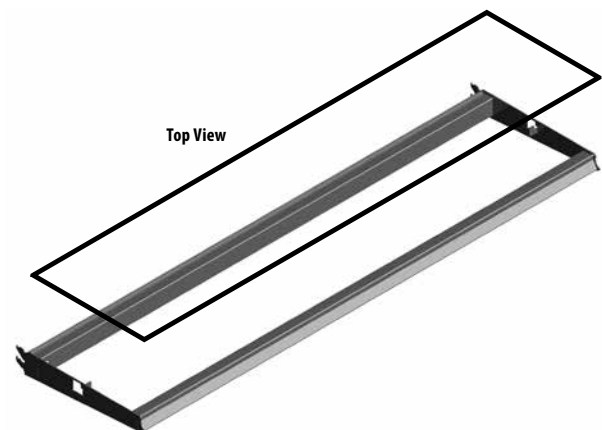
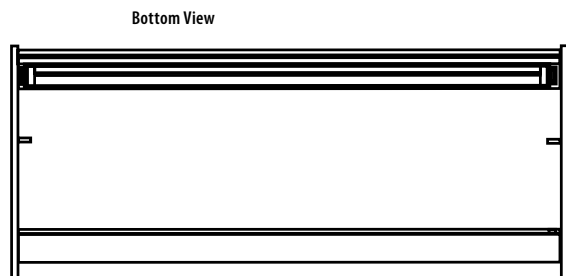
- Shelf assembly uses LEDge Light [LLS(NL)], ordered separately
- Several sizes, finishes, and top surfaces are available
- Load capacity is 100 lbs for each shelf

**LUSANL-(NW)(ND)-(OPT1)**

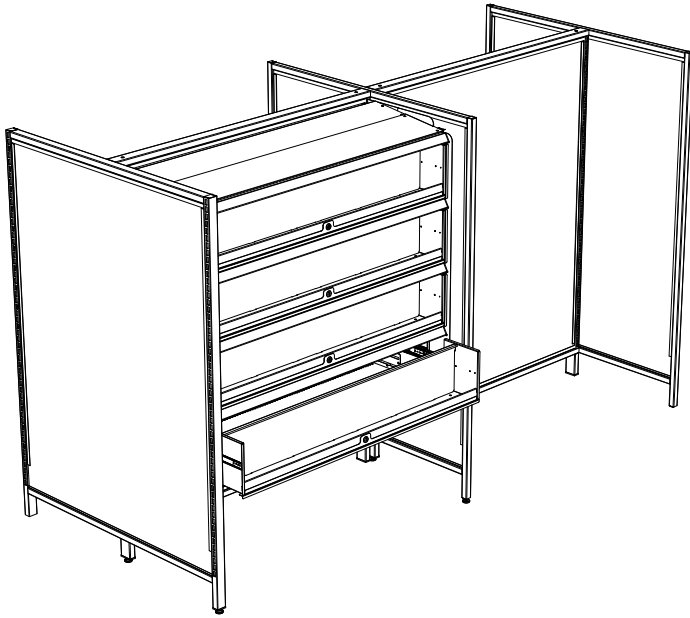
- LUSA .... Lighted Upper Shelf Assembly
- NL .... No Light
- NW .... Nominal Width 3' or 4'
  - (914 mm or 1219 mm)
- ND .... Nominal Depth
  - 12", 14", 16", 18", 22" or 24"
  - (305 mm, 356 mm, 406 mm, 457 mm, 559 mm or 610 mm)
- OPT1 .... Top Option
  - TG = Tempered Glass
  - CA = Clear Acrylic
  - FA = Frosted Acrylic
  - ND = No Deck

**NOTE!**  
Order LEDge Light [LLS(NL)] separately.

**NOTE!**  
Madix does not recommend using lighted shelves with merchandise that is sensitive to slightly warmer temperatures or direct exposure to light.







### Tube Line Metal Shelf

- Flush-front shelf with diamond perforations

#### TLMS(OPT1)(NW)(ND)

TLMS .... Tube Line Metal Shelf

OPT1 .... D=Diamond Perferated

NP=Non-Perferated

NW .... Nominal Width

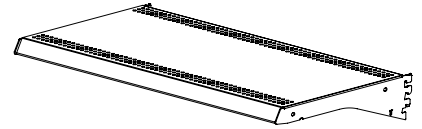
18", 24", 30", 36", 42" or 48"

(457 mm, 610 mm, 762 mm, 914 mm,

1067 mm or 1219 mm)

ND .... Nominal Depth 08" to 24" in 2" increments

(203 mm to 610 mm in 51 mm)



### Tube Line Pull-Out Demo Display

- Requires the use of Tube Line Metal Shelf [TLMS(OPT1)(NW)(ND)] at top and bottom of each display

#### TLUPODD(NW)1016(OPT)

TL .... Tube Line

UPODD .... Universal Pull-Out Demo Display

NW .... Nominal Width

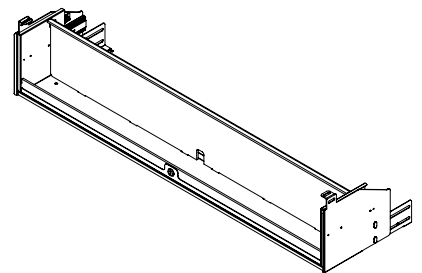
36" or 48" (914 mm or 1219 mm)

1016 .... Nominal Depth 10" to 16" range pull-out

(254 mm to 406 mm range pull-out)

OPT .... KL=Kenstan Lock

Blank=Standard Lock



### Tube Line Universal Pull-Out Demo Display End Panel

- Nominal height must be in 10" increments
  - 20" (508 mm) covers two pull-outs
  - 40" (1016 mm) covers four pull-outs

#### TLUPODDEP(NH)1016(OPT)

TL .... Tube Line

UPODD .... Universal Pull-Out Demo Display

EP .... End Panel

NH .... Nominal Width

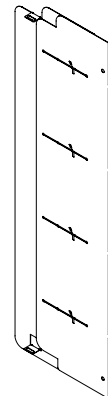
20" or 40" (508 mm or 1016 mm)

1016 .... Nominal Depth 10" to 16" range pull-out

(254 mm to 406 mm range pull-out)

OPT .... LH=Left Hand

RH=Right Hand



### LEDge Light Gen4

As the industry’s leading provider of LED shelf lighting, Madix is proud to offer a variety of options for creating illuminated displays. Our LEDge Light is the first LED-lighting product created specifically for retail shelves. These environmentally friendly LEDs produce light intensity comparable to that of T5 fluorescent bulbs—but with half the energy consumption and nearly three times the lifespan. The latest generation is our most efficient version yet, reducing energy consumption by an additional 25% (see specifications below).

### LEDge Light

- 3' or 4' lengths (914 mm or 1219 mm)
- Maintenance-free life in excess of 50,000 hours (11 years at 12 hours/day)
- Compact, 1.18" x .88" (30 mm x 22 mm) profile
- Durable aluminum extrusion
- Integral magnets make installation on metal shelves or other surfaces easy and allow fast changes
- End tabs with holes for fastening to wood shelves, counters, or other surfaces
- Certified by the DesignLights™ Consortium (DLC) and Underwriters Laboratories, Inc. (UL)
- DLC certification provides potential utility rebates
- All plug 'n' play connections— no electrician required (class 2 system)
- Multiple units connected using Jumper Cables or Harness Assembly
- May be daisy-chained to single power supply for “single row” applications
- Power up to eighteen 48" LEDge Lights with one power supply (see chart)
- Color temperature: 4200K
- Color Rendering Index (CRI) of 85
- Contains no heavy metals
- Low power consumption helps meet California Title 24 lighting regulations
- Safe 24 volt DC system
- 7-year warranty
- Not compatible with Lumiback or Lumishelf™ accessories
- Redesigned control chip is not polarity sensitive, may be used with Versa System, power from top or bottom

### LLS(NL)

LLS.....LEDge Light  
 NL.....Nominal Length 36" or 48"  
 (914 mm or 1219 mm)

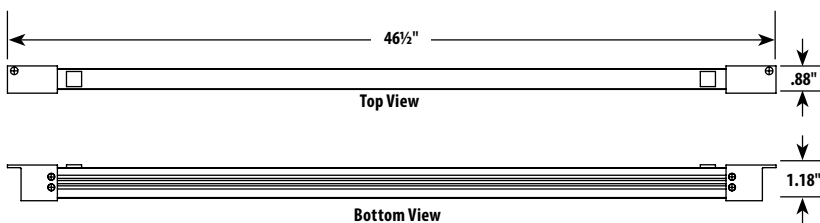


Gen4 LED Lighting Wattage					Output/Efficiency	
Shelf Width	Part Number	Actual Length	DC Watts	Max # Lights per Power Supply	Lumens	Lumens/Watts
36"	LLS36	34½"	4.0W	25	682	170
48"	LLS48	46½"	5.4W	18	910	168



Lights Per Circuit*		
Circuit Amps	Power Supplies	LLS48 per Circuit
15	8	144
20	11	198

\* Above assumes fully loaded power supply

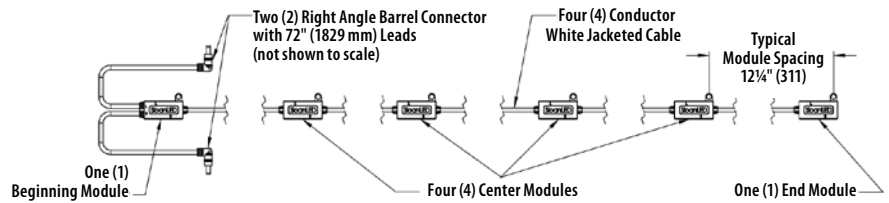


## LEDge Light Harness Assembly

- Harness Assembly is used to connect up to 6 LEDge Lights to a single 100W power supply
- Up to 12 lights may be connected to a single Harness Assembly by using 2 power supplies
- Harness plugs directly into power supply
- Jumper Cables required to connect LEDge Lights to Harness Assembly
- 6 modules, 12.25" (311 mm) OC with 72" (1829 mm) leads for each power supply connection
- The screw tab on each connecting module allows fastening to perforated back panel via push rivets or to other surfaces with screws (not included)
- White color

### LLHA

LLHA .... LEDge Light Harness Assembly

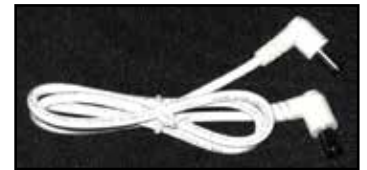


## LEDge Light Jumper Cable

- Required to connect LEDge Lights to Harness Assembly and adjacent lights in daisy-chain applications
- Male connectors at each end
- White color

### LLJ(NL)

LLJ .... LEDge Light Jumper Cable  
 NL .... Nominal Length 6", 18", 30", 72" or 144"  
 (152 mm, 457 mm, 762 mm, 1829 mm or 3658 mm)



## LEDge Light Power Supply

- UL listed 100W DC power supply features nearly 90% efficiency using of latest circuitry design
- 120V standard plug; no electrician required
- Maximum of 16 power supplies per 20-amp circuit
- Not compatible with Lumiback or Lumishelf™
- Uses 1 amp at 120V
- Female connector

### LLPS

LLPS .... LEDge Light Power Supply



## LEDge Light Cable Clamp

- Use to cleanly route cables
- Clear nylon with adhesive back
- 3/8" (10 mm) capacity
- 25 pieces per pack

### LLCC38-25

LLCC .... LEDge Light Cable Clamp  
 38 .... 3/8" (10 mm) capacity  
 25 .... 25 pieces



## LEDge Light Cable Clamp Magnetic

- Use to cleanly route cables
- Easy fast installation, durable, and reusable
- Mounts rotate 360°
- 1/2" (13 mm) capacity
- Available in black or white

### LLCCCM-(OPT)

LLCCCM .... LEDge Light Cable Clamp Magnetic  
 OPT .... Color  
 B=Black  
 W=White





## ILLUMINATE MERCHANDISE AT THE POINT OF SALE

LEDge Light Versa is Madix's most versatile lighting solution for retail shelves. This system features LED lights that draw attention to merchandise, boosting sales. LEDge Light Versa's connectors allow retailers to quickly and easily reset shelves without the hassle of unplugging and reconnecting the lights' wires. Simply unhook and reattach the shelves to the uprights, lining up the connectors to the bus bars on the backboards. The lights will automatically power on.

- Engineered to install on most metal shelving systems
- Quickly reset plan-o-grams without moving wires
- Cut the expense of hiring electricians
- Reduce the cost of store associates' labor



## LEDge Light Versa System

The LEDge Light Versa system allows retailers to quickly and easily modify shelf spacing without the hassle of unplugging and reconnecting. Adjust shelves with LEDge Lights throughout the run without moving wires or electrical connections. System is used in lieu of harness or jumper application. Patent No. US 8,979,311 B2

- Hassle-free way to light an entire fixture run
- Quickly reset plan-o-grams
- Spring-loaded Versa connector easily installs to pre-existing LEDge light runs
- Compatible with most metal shelving
- Patent No. US 8,979,311 B2



**LEDge**  
LIGHT VERSA

## LEDge Light Versa Connector

- Complete assembly includes connector and cable
- Versa connector needs to be size of shelf or deeper

### LLVC(ND)

LLVC .... LEDge Light Versa Connector  
ND .... Nominal Depth  
12", 18" or 30"  
(305 mm, 457 mm or 762 mm)

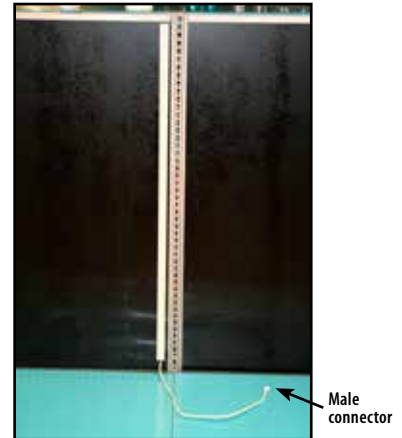


## LEDge Light Versa Bus Bar

- Available in 46" and 76" (1168 mm and 1930 mm) lengths (for 54" and 84" [1372 mm and 2134 mm] back panels, respectively)
- Can be mounted higher or lower on larger panels depending on shelf location
- Can be trimmed to fit shorter panels

### LLBB(NL)

LLBB .... LEDge Light Versa Bus Bar  
NL .... Nominal Length  
46" or 76" (1168 mm or 1930 mm)

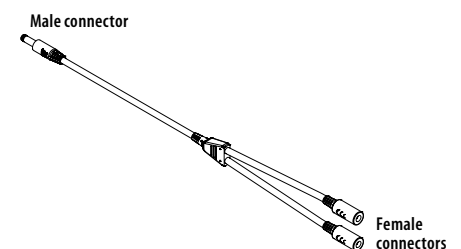


## LEDge Light Versa Y-Connector

- Splitter connecting LEDge Light Versa Bus Bars to power supply
- 15" (381 mm) overall length

### LLVY

LLVY .... LEDge Light Versa Y-Connector





## LEDge Light Dimming Controller Kits

Dimming controllers use infrared sensors to dim or shut off LEDge Lights when customers are not shopping the aisle. Dimming is adjustable from "Off" to 12%, 25%, or 50% of total intensity. State-of-the-art controls dim and ramp up light slowly, making the change less noticeable to customers. Use of dimming control may cut energy consumption by over 50% and double the life of LEDge Lights.

### LEDge Light Dimming Controller Starter Kit

- Controls single, 100W power supply
- Kit contains one dimming controller, two infrared sensors, cables, and connectors for use in up to a 24' (7315 mm) run; longer runs require Sensor Add-On Kit (see below)
- Sensor detection range is 14' (4267 mm) diameter
- Specify sensor mounts for slotted upright (B) or shelf (S)
- Plug and play connections– no electrician required
- White color
- Not compatible with Lumiback or Lumishelf™

### LLDCS-(TYPE)

LLDCS .... LEDge Light Dimming Controller Starter Kit

TYPE .... Sensor Mount Type:  
B=Slotted Upright  
S=Shelf

### LEDge Light Dimming Controller Add-On Kit

- Order this kit to control additional power supplies (one kit per power supply)
- Contains one dimming controller, cables and connectors to add one power supply
- Plug and play connections– no electrician required
- White color
- Not compatible with Lumiback or Lumishelf™

### LLDCA

LLDCA .... LEDge Light Dimming Controller Add-On Kit

### LEDge Light Motion Sensor Add-On Kit

- Order this kit where additional sensors are required in system [i.e. at center of any run that exceeds 24' (7315 mm)]
- Kit adds a single sensor to Starter Kit above
- Contains one infrared sensor, cables, and connectors to add 12' (3648 mm) to run
- Specify sensor mounts for slotted upright (B) or shelf (S)
- Plug and play connections– no electrician required
- White color
- Not compatible with Lumiback or Lumishelf™

### LLMSA-(TYPE)

LLMSA .... LEDge Light Motion Sensor Add-On Kit

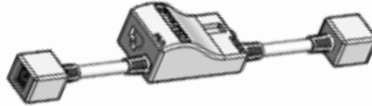
TYPE .... Sensor Mount Type:  
B=Slotted Upright  
S=Shelf

## LEDge Light Dimming Components

Individual components to be used with Starter and Add-On Kits as needed.

### LEDge Light Dimming Controller LLDC

LLDC .... LEDge Light Dimming Controller



### LEDge Light Motion Sensor

• 60" (1524 mm) cord

#### LLMS

LLMS .... LEDge Light Motion Sensor



### LEDge Light Sensor Mounting Bracket

• Specify sensor mounts for slotted upright (B) or shelf (S)

#### LLSMB-(TYPE)

LLSMB .... LEDge Light Sensor Mounting Bracket

TYPE .... Sensor Mount Type:  
B=Slotted Upright  
S=Shelf

### LEDge Light Cat 5 Cable

• Used to connect Motion Sensor to Dimming Controller

#### LLC5C-(NL)

LLC5C .... LEDge Light Cat 5 Cable

NL .... Nominal Length 3', 15', 25' or 50'  
(914 mm, 4572 mm, 7620 mm or 15,240 mm)



### LEDge Light Cat 5 Coupler

#### LLC5CP

LLC5CP .... LEDge Light Cat 5 Coupler



### LEDge Light Cat 5 Y-Splitter

#### LLC5YS

LLC5YS.....LEDge Light Cat 5 Y-Splitter



**Prices** All prices are subject to change without notice. Every effort will be made to give advance notice of any increase through notification from the home office. The customer will receive an acknowledgement showing prevailing prices at the time the order is processed. State or other sales or use taxes, freight and surcharges will be charged when applicable. Freight quotes may be provided based upon information available at time of quote, but are not guaranteed. Active freight charges will be billed if applicable. When market conditions dictate, a surcharge may be implemented. All quotations automatically expire at the end of 30 days.

**Terms** Cash in advance prior to production or net 30 days if open account status is approved by Madix Credit Department. MasterCard, Visa, and American Express are accepted.

**Acceptance** All orders, contracts, and agreements are subject to Madix's acceptance and approval. Madix shall not be liable for any delay in the performance of any order, contract, in the delivery of any goods, or for any damages resulting from such delay, when such delay is directly or indirectly caused by or due to fire, flood, accident, riot, act of God, war, governmental decree or order, strike, labor difficulties, shortage of labor, fuel, power, material or supplies, transportation delay or any other delay or causes (whether or not similar to any of those herein before specified) beyond our reasonable control. Order acceptance will be per the conditions and terms outlined in Madix's acknowledgement. Mailing of the acknowledgement will signify Madix's acceptance of the order.

**Minimum Charge** Orders are subject to a minimum charge of \$50.00 net (merchandise only) per shipping destination.

**Changes and Cancellations** Customer requested changes and cancellations are subject to approval by Madix. Every reasonable effort will be made to accommodate these requests without additional cost to the customer. Any manufacturing or engineering costs incurred will be charged to the customer. Orders produced and delayed for more than one week may incur charges for demurrage, unloading, or other storage costs. Madix will advise customers of the estimated charges at the time changes or cancellations are made.

**Shipments** Method and route of shipment are at Madix's discretion unless Madix is furnished with complete shipping instructions at least ten (10) days before the scheduled shipping date. Freight is FOB/EXW Madix shipping point.

**Freight Claims** For common carrier shipments, claims must be made directly with the carrier by the recipient. Listed are the types of losses which may occur, and your responsibility in handling them:

**Loss of Freight:** It is the receiver's responsibility to count the freight at the time of delivery. Any exception must be noted on the carrier's delivery receipt at time of delivery.

**Damage of Freight:** As with a loss of freight, damage of freight must be noted on the carrier's delivery receipt at the time of delivery. It is the receiver's responsibility to make sure that the freight is inspected for visible damage and that the number of pieces damaged is marked on the carrier's delivery receipt. Failure to note visible damage at the time of delivery will result in non-payment of a damage freight claim. Salvage must be held for the carrier.

**Concealed Damage:** If goods are received in apparently good condition but there is concealed damage, it is the customer's responsibility to contact your Madix Service Representative within 15 calendar days from delivery. Customer must keep the product and the packaging so that an inspection may be conducted by the carrier. Failure to handle a concealed damage claim in this manner could greatly reduce the amount recovered from the carrier.

**Returned Goods** Returned Goods requests must be submitted to Madix, Inc. within 60 days after receipt of product. Authorization must be in writing on Madix's RGA (Return Goods Authorization) form. Goods must be received within 30 days of RGA issue date for credit. Customer is responsible for delivery of authorized returns to Madix designated location in condition originally received. Only Code A products finished in returnable colors as indicated on the finish policy pages will be considered for return, and only items in unused, in resalable condition, and in the original packaging. No special size, color, or specially manufactured parts or products are eligible for return unless sent to the customer as the result of an error by Madix. Only merchandise listed on the RGA will be accepted for conditional return. Credit will not be issued for that portion of merchandise that is not considered resalable. A handling and restocking charge of 25% of the invoice price will be charged for all approved returns. Submit requests to your Madix Sales Representative or Customer Service Department prior to returning any merchandise. All returns must be have the customer name and Madix RGA number prominently displayed on each package. Product to be shipped prepaid at customer's expense unless prior approval has been received from an authorized Madix Representative.

**Warranty** We warrant to the original purchaser that all products manufactured by Madix are free from defects in material and workmanship. This warranty is invalid if products or parts are modified or used in a manner other than the intended purpose. Our obligation under this warranty is limited to repairing or replacing of any part or parts which shall, within one (1) year after delivery to the original purchaser, be demonstrated to be defective under normal use and service. This warranty is in lieu of all other warranties, expressed or implied, and of all other obligations or liabilities of any kind on Madix's part, and no modification of this warranty shall be valid or binding unless in writing and signed by an officer of Madix, Inc.

**Production** Madix fixtures are manufactured utilizing the most current technology of highly automated systems with process control techniques. Skilled craftsmanship, combined with automatic presses, roll forming machines, multi-spot welders, conveyers, finishing equipment and thorough inspections produce store fixtures of the highest quality.

**Upright** Carefully engineered of heavy gauge, high quality steel components, the UPRIGHT is slotted one inch on center for maximum flexibility, shelf adjustability and use of available space. Standard heights range from 36" through 96" with built-in leveler. For the finishing touch at the end of the shelving run, the snap-on UPRIGHT END COVER is made of durable, scuff and impact resistant plastic or heavy gauge metal. The UPRIGHT CAP, made of high impact plastic, has provision for a sign holder.

**Base Shoe** The five inch low BASE SHOE features exclusive "I" beam design, engineered of projection welded high strength steel parts insuring maximum load capacity. Snaps securely into upright with leveler and electrical access allowing for quick error free installation. For the finished look, the one piece slip on BASE END COVER is made with a high impact plastic nose reinforcement to protect base shelf tag molding.

**Spanners** Snap-in support SPANNERS keep uprights at equal spacing and hold the back panels rigid. Each spanner has knockouts for electrical access and telescoping uprights.

**Back Panels** High density hardboard BACKS fit flush to the face of the upright. A wide variety of finishes include solid, pegboard, wood grain and fabric in a wide assortment of optional colors. Mirrors and open backs are also available.

**Kickplate** Fully floating feature of kickplate allows flush fit against uneven floors, snaps in and out without disturbing base shelf for easy cleaning. Convenient knockout accommodates electrical access.

**Base and Upper Shelves** Steel base shelves feature lock tabs to insure quick installation and precision alignment. A double row of 1/4" inch perforations on the front and rear edge makes any form for binning possible. Slim bracket, high tensile design with flat or 15 degree downslope upper shelf positions allow for maximum merchandise visibility. Integrally formed price tag molding accommodates 11/4" tag. Upper shelves available in 8", 10", 12", 14", 16", 20", 22", 24", 26", 28", and 30" depths. Base shelves available in 12", 14", 16", 18", 20", 22" 24", 26", 28" and 30" depths.

**Shelf Loading** The recommended load capacity for upper shelves is based on evenly distributed weight. Capacities are reduced by 35% when front half is loaded and reflect rated maximum load. Load capacities are shown in the General Information Section under Shelf Loading.

**Baked Enamel, Powder Coat Finishes** All metal parts are finished with a specially formulated high solids or powder which are electrostatically bonded in a unique multi-stage process, to insure the highest quality finish. Aerosol cans of Touch-up paint are available in Madix's standard and optional colors. FAA regulations prohibit the shipment of this product by air or in export containers by air or ocean to countries outside the United States.

**Product Maintenance** When necessary to clean Madix shelving, use a non-abrasive mild detergent and warm water, followed by thorough drying. The use of a cloth made of a soft white cotton material is strongly recommended. The use of cleaning products that contain abrasive, bleach, or strong solvents, such as ketones, ethers, etc. will result in damage to the finish. The damage is most severe when these harsh cleaning agents are used on colors which contain leafing aluminum pigment such as powder chrome, silver vein, and other "vein" type finishes. The aluminum in these coatings resides at the surface of the finish and is therefore susceptible to damage by the harsh cleaning agents. As an alternative to the mild detergent, cleaners with ingredients similar to those found in products such as 409, Fantastik, and Simple Green can be used. Caution! Cleaners having ingredients similar to those found in Ajax, Borax, Comet, etc. should be avoided as finish damage could result.

**Codes** In your planning stage, consult with local municipal engineers to determine what codes and restrictions will be applicable in the locations where the shelving will be used. Codes may include: state, local, fire, building, and health and safety codes. Seismic requirements may apply in some locations. For example, in most locations fire codes state that fixtures need to be at least 18 inches below the sprinklers.

**Shelving Selection** Take into consideration the load that is expected not only on each shelf but also on the unit as a whole. Take into account the upright capacity. Refer to the load capacity information that is in the Madix Standard Catalog. Madix shelves are rated using an evenly distributed load. Do not install shelves or accessories that extend beyond the depth of the Base Shelves. Consider making the Base Shelves and low height fixtures a contrasting color from the floor's color to prevent potential tripping hazards. Do not use Madix parts or accessories for any purpose other than originally intended by Madix.

**Shelving Installation** Initial installation or relocation of Madix shelving should be supervised by qualified personnel. Madix products should be installed according to Madix's specifications. Madix's installation sequence must be followed for assembly and leveling. An improperly installed store fixture has a poor appearance and may cause a dangerous condition. Be especially careful when leveling fixtures with offset loads in which one side of the fixture has a considerably heavier load than the other side. Dismantling and reassembling used Madix shelving can be dangerous if the installers who are doing the work leave out parts, use damaged parts, or do not reassemble the product by Madix's specifications. Do not alter, modify, or structurally change any shelving component. Do not move assembled shelving. Only parts and accessories that are produced and supplied by Madix are covered by the Madix warranty. Do not assemble Madix fixtures with parts from other manufacturers. Under no circumstances should you use damaged parts. When assembling Gondola/Wall Shelving, install Kickplates to protect the Base Shoes from floor cleaning equipment and to offset the possible bumping and misalignment of the shelving runs. Do not install shelves or accessories on the sides of wall sections or any section that is not supported by Base Shoes. Use caution when handling and transporting shelving parts. Be careful when cutting shrink wrap from pallets because the shelving parts can dislodge from the wrap and fall. Cut the wrap gradually from the top, only as much as you need to remove the product from the top. Two common hazards while installing store fixtures are: employees hurting themselves with improper types of box cutters and employees putting boxes on the floor and then tripping over them.

**Anchoring and Floors** Depending on code requirements and Madix's specifications, some products must be anchored to the walls and/or floors. Do not lean tall or heavy objects against unanchored shelving systems. Retailers must consider the type of floor upon which the shelving will be installed.

**Impact Loading** Impact during the loading and unloading of merchandise can create an adverse loading situation and may result in damage to or failure of the Madix shelving. Do not walk or climb on Madix shelving.

**Overtipping** Overloading the top portion of the shelving, non-uniform loading, out-of-plumb installation, and impact can cause shelving to overturn. Improperly installed Madix shelving with offset loads can cause store fixtures to collapse. Carefully follow Madix's installation instructions in order to prevent shelving from overturning.

**Additional Shelving Safety Pointers** Product loading instructions are included with each Madix order. Retailers must make merchandisers aware of the product's load limitations and the dangers of overloading the shelving. Remove any merchandise or overstock before attempting to move Madix shelving. Periodically inspect your Madix shelving for damaged or loose parts. Make sure that shelves and accessories are properly seated in the slotting or perforations. Make sure that shelves and accessories are not overloaded. As merchandising changes, beware of creating offset loads on shelving runs that are not properly leveled. Look for leveling warning signs such as increased gaps between shelves or accessories that may indicate that the shelving runs need re-leveling. Damage to Madix shelving is dangerous. In some cases, the shelving should be unloaded immediately and repaired or replaced before returning to service. Re-level fixtures that you have bumped or moved. Incorporate safety into your merchandising strategy. When possible, merchandise the heavier products on the lower shelves. If the merchandise will not fit on the Madix shelves and there is a replenishment cycle, make sure that the cycle is a safe one. Make sure that merchandise and overstock are properly stacked and maintained so that items will not fall into the aisles. Assure that customers who handle merchandise or overstock will not push product from one side of the Madix fixture to the other side where people could be injured from falling merchandise. Safely secure overstock that is placed on Madix shelves overhead. Measure the difficulty that your employees have in retrieving overstock, and consider whether employees or customers could be injured if the product happens to fall from the shelving units. Teach employees and inform customers that Madix shelves should never be used as ladders to reach higher shelves. Ladders should be clearly marked for employees use only and should not be left unattended, or customers will try to remove stock on higher shelves by themselves. Notify customers to ask for assistance when they need product that is out of their reach.

**POSSESSION OF THIS CATALOG IS NOT AUTHORIZATION TO SELL MADIX PRODUCTS!  
ALL FACTORY QUOTES ARE GOOD FOR 30 DAYS ONLY.**

### Finish Policy for Metal Products

**Standard Colors, Returnable– Code A** Madix standard returnable colors for display shelving are Sahara, Blue Gray, Oyster, Snow White, and Satin Black. Madix standard returnable colors for wire products only are Powder Chrome and Silver Vein. All catalog items are priced in standard color.

**No Charge Colors (Non-Returnable)– Code B** Madix non-returnable colors offered at the standard price are Chocolate, Dove Gray, Dover White, Fashion Gray, Skyline Gray and Tru Gray. All catalog items are priced in standard color.

**Optional Colors-Level I Finishes (Non-Returnable)– Code B** Madix offers optional colors, also known as Grade I Finishes, at additional charge: Bright Orange, Hollyberry, Hunter Green, Mandarin, Neon Blue, Spectrum Blue, Spectrum Green, Spectrum Red and Valencia. Products painted with these colors are non-returnable.

**Metal Components:** \$350.00 line charge plus published per-piece charge. **Metal Back panels:** \$350.00 line charge plus published per-piece charge.

**Special Colors– Code C** Use line change charge plus per piece charge supplied by customer service. Special colors are non-returnable.

### Pricing For Levels II To IV:

**Level II:** 1.6 x Optional Color Upcharge. **Example:** Optional upcharge for SUS is \$1.50; upcharge with Level II finish will be \$2.40.

**Level III:** 2.8 x Optional Color Upcharge. **Example:** Optional upcharge for SUS is \$1.50; upcharge with Level III finish will be \$4.20.

**Level IV:** 3.8 x Optional Color Upcharge. **Example:** Optional upcharge for SUS is \$1.50; upcharge with Level IV finish will be \$5.70.

**Metal Components:** \$500.00 line charge plus published per-piece charge. **Back panels:** \$350.00 line charge plus published per-piece charge.

### Maintenance for Metal Products

**Baked Enamel and Powder Coated Finishes** All metal parts are finished with a specially formulated high solids or powder which are electrostatically bonded in a unique multi-stage process to insure the highest quality finish. Aerosol cans of touch-up paint are available in Madix's standard and optional colors. FAA regulations prohibit the shipment of this product by air or in export containers by air or ocean to countries outside the United States.

**Product Maintenance** When cleaning Madix shelving, use a non-abrasive mild detergent and warm water, followed by thorough drying. Using a soft white cotton cloth is strongly recommended. Cleaning products containing abrasives, bleach, or strong solvents will result in damage to the finish, especially when used on colors containing leafing aluminum pigment, such as powder chrome or vein-type finishes.

### Finish Policy for Wood Products

**High Pressure Laminate** The terms "laminate" or "HPL" are commonly applied to this material which consists of multiple layers of paper infused with phenolic resin and topped by a finish paper coated with clear melamine resin, all totally bonded under high pressure and heat. The finished sheet has extremely high wear and impact resistance.

**Customer Specified High Pressure Laminate** Madix coding is based on Wilsonart availability. Laminates other than Wilsonart may require additional lead time.

- Customer specified laminates add \$100.00 per pattern, per order
- Additional charge will apply based on the laminate grade that is chosen

Laminates that are not from a laminate manufacturer's standard samples (metallics, heavy textures, wet looks, core edge, special prints) will require a special quote. Contact Customer Service for specific pricing on laminates not listed above.

**Thermofused Panels** Thermofused panels are ideal for non-wear surfaces and have substantial impact and wear characteristics compared to melamine panels previously available. The product is produced using hot press laminating polyester or melamine resin impregnated self-bonding paper to wood substrate. Performance specifications are available from the American Laminations Association. Madix does not recommend the use of Thermofused panels on horizontal or other wear surfaces.

**Printed Mirror Hardboard** Printed materials are primarily used for back panels, but appear as various other products. These materials are carefully cross matched to the corresponding laminates and Thermofused. Mylar mirror hardboard is used in the same applications and is also available in pegboard and grooved pegboard.

### Finish Policy for Back Panels

**Standard Colors, Returnable– Code A** Madix standard returnable colors for display shelving back panels are Sahara, Oyster, and Snow White.

**Optional Colors-Level I Finishes (Non-Returnable)– Code B** Madix non-returnable back panel colors offered at the optional price are Chocolate, Dove Gray, Dover White, Fashion Gray, Satin Black, Skyline Gray, Blue Gray and Tru Gray. Set-up charge of \$350.00 applies.

**Optional Colors-Level II Finishes (Non-Brilliant)– Code B** Madix offers optional back panel colors also known as non-brilliant finishes at an additional charge. These colors include custom grays, off whites, tans, and beiges not listed in Madix's Finishes brochure. Products painted with these colors are non-returnable. Set-up charge of \$350.00 applies.

**Optional Colors-Level III Finishes (Brilliant)– Code C** Brilliant back panel finishes include Hunter Green, Neon Blue, Spectrum Blue, and Spectrum Green. Set-up charge of \$350.00 applies.

**Optional Colors-Level IV Finishes (Reds and Yellows)– Code C** Use line change charge plus per piece charge supplied by customer service. Special colors are non-returnable. Set-up charge of \$350.00 applies.

### Pricing For Levels II To IV

**Level II** 1.2 x the difference between the Hardboard/Pegboard Optional Color pricing and the Hardboard/Pegboard Sahara pricing. **Example:** Optional upcharge for a BH-342 with a Level II finish would be calculated as follows: \$13.85 - \$12.45 = \$1.40 x 1.2 = \$1.68. The color upcharge for a BH-342 with a Level II finish is \$1.68. This upcharge amount will be added to the Optional Color price of a BH-342. The new price of a BH-342 using a Level II finish is \$15.53 (\$13.85 + \$1.68 = \$15.53).

**Level III** 1.4 x the difference between the Hardboard/Pegboard Optional Color pricing and the Hardboard/Pegboard Sahara pricing. **Example:** Optional upcharge for a BH-342 with a Level III finish would be calculated as follows: \$13.85 - \$12.45 = \$1.40 x 1.4 = \$1.96. The new color upcharge for a BH-342 with a Level III finish is \$1.96. This upcharge amount will be added to the Optional Color price of a BH-342. The new price of a BH-342 using a Level III finish is \$15.81 (\$13.85 + \$1.96 = \$15.81).

**Level IV** 1.8 x the difference between the Hardboard/Pegboard Optional Color pricing and the Hardboard/Pegboard Sahara pricing. **Example:** Optional upcharge for a BH-342 with a Level IV finish would be calculated as follows: \$13.85 - \$12.45 = \$1.40 x 1.8 = \$2.52. The color upcharge for a BH-342 with a Level IV finish is \$2.52. This upcharge amount will be added to the Optional Color price of a BH-342. The new price of a BH-342 using a Level IV finish is \$16.37 (\$13.85 + \$2.52 = \$16.37).

**NOTE!** See Finishes Brochure for color samples.



<b>Part Name</b>	<b>Part Number</b>	<b>Page Number</b>
<b>B</b>		
Bakery Wire Shelf with Welded Brackets.....	MBWSWB-(NW)(ND)-(TAG)(EDGE).....	32
Bookshelf End Panel.....	BKSBEF-(ND)-6.....	28
Bookshelf Wire Divider.....	BKSD-(ND)-25.....	28
Bullnose Upper Shelf.....	SUSBN(NW)(ND)(NP).....	9
<b>C</b>		
Classic Pegboard Basket.....	CPBSW-(NW)(ND).....	36
<b>F</b>		
Flat S Hook.....	AC125(OPT)Z.....	34
Flush Front Upper Shelf.....	FFUS-(NW)(ND).....	9
<b>G</b>		
Gondola Header Sign, Basic Upright Mounted.....	GHSBABUM(NW)(NH).....	12
<b>H</b>		
Hang Rod.....	HR-(NW).....	11
Hang Rod Bracket.....	HRB-(ND).....	11
<b>L</b>		
LEDge Light Cable Clamp.....	LLCC38-25.....	49
LEDge Light Cable Clamp Magnetic.....	LLCCCM-(OPT).....	49
LEDge Light Cat 5 Cable.....	LLCSC-(NL).....	53
LEDge Light Cat 5 Coupler.....	LLCSCP.....	53
LEDge Light Cat 5 Y-Splitter.....	LLCSYS.....	53
LEDge Light Dimming Controller.....	LLDC.....	53
LEDge Light Dimming Controller Kits.....	.....	52
LEDge Light Dimming Controller Add-On Kit.....	LLDCA.....	52
LEDge Light Dimming Controller Starter Kit.....	LLDCS-(TYPE).....	52
LEDge Light Gen4.....	LLS(NL).....	48
LEDge Light Harness Assembly.....	LLHA.....	49
LEDge Light Jumper Cable.....	LLJ(NL).....	49
LEDge Light Motion Sensor.....	LLMS.....	53
LEDge Light Motion Sensor Add-On Kit.....	LLMSA-(TYPE).....	52
LEDge Light Power Supply.....	LLPS.....	49
LEDge Light Sensor Mounting Bracket.....	LLSMB-(TYPE).....	53
LEDge Light Versa.....	.....	50
LEDge Light Versa Bus Bar.....	LLBB(NL).....	51
LEDge Light Versa Connector.....	LLVC(ND).....	51
LEDge Light Versa Y-Connector.....	LLVY.....	51
Lighted Upper Shelf Assembly, No Light.....	LLUSANL-(NW)(ND)-(OPT).....	46
Loose OEB Bracket.....	AC1230(TYPE)(HAND).....	34
Luxe 45° Corner Shelf.....	LUQSUS45-06.....	23
Luxe Back Panels.....	LUXB(TYPE)(NH)(NW).....	8
Luxe Backing Locking Insert.....	LUXBLI-BLK.....	20
Luxe End Frame Panel.....	LUXEFP(TYPE)(NH)(NW).....	8
Luxe Fixtures.....	.....	3
Luxe L-Uprights with Leg on One Side.....	LUXL-(NH)(ND).....	7
Luxe Queuing Fixture Post Connector Rail.....	LUQFPCR(NW)(OPT).....	19
Luxe Queuing Hardboard Back 45°.....	LUQB45(BACK1)(BACK2)DP(NW)(NH).....	24
Luxe Queuing Hardboard Backs on Two (2) Sides.....	LUQB(OPT)DP(NW)(NH).....	18
Luxe Queuing Impulse Basket.....	LUQIB-(NW).....	32
Luxe Queuing MegaWall™ Back 45°.....	LUQB45MW(NW)(NH).....	25
Luxe Queuing MegaWall™ Backs on Two (2) Sides.....	LUQBMMW(NW)(NH).....	19
Luxe Queuing Pegboard Backs on Two (2) Sides.....	LUQB(OPT)DP(NW)(NH).....	18
Luxe Queuing Post Slotted on Four (4) Sides.....	LUQP(NH)(BD)S4.....	14, 23
Luxe Queuing Post Slotted on Two (2) Sides.....	LUQP(NH)(BD)S2.....	14
Luxe Queuing Retractable Retainer.....	LUQRR.....	20
Luxe Queuing Slatwall Back 45°.....	LUQB45(BACK1)(BACK2)(OPT)(NW)(NH).....	25
Luxe Queuing Slatwall Backs on One (1) Side.....	LUQB(B1)SP(NW)(NH).....	18
Luxe Queuing Slatwall Backs on Two (2) Sides.....	LUQB(B1)(B2)DP(NW)(NH).....	18
Luxe Queuing Solutions.....	.....	13
Luxe Queuing Wire Grid Back 45°.....	LUQB45(TYPE)(OPT)(NW)(NH).....	24
Luxe Queuing WG Backs with One (1) Panel Per Section.....	LUQB(TYPE)SP(NW)(NH).....	19
Luxe Queuing WG Backs with Two (2) Panels Per Section.....	LUQB(TYPE)DP(NW)(NH).....	19
Luxe T-Uprights with Leg on Both Sides.....	LUXT-(NH)(NDL)(NDR)(OPT).....	7
Luxe Tie Bar.....	LUXTB-(NW).....	8
Luxe Wall Outtrigger Bracket.....	LUXWOTB(ND).....	7
Luxe Wall Outtrigger Upright & Bracket.....	LUXWO-(NH)(ND).....	7
Luxe Wall Outtrigger Upright Only.....	LUXP(NH)(OPT).....	7
<b>M</b>		
Magazine Holder Slatwall Mount.....	MAGHLDRSWM(OPT).....	29
Metal Shelf Cross Divider.....	MSCD(NW).....	30
Metal Shelf Divider.....	MSD-(ND)(NH).....	30
Multi Media Bookshelf.....	AOBS-(NW)(ND).....	29
Multi-Purpose Adjustable Bins.....	LUQMPABIN-(OPT).....	40
Multi-Purpose Adjustable Bin Divider.....	LUQMPBINDIV-(OPT).....	40

<b>Part Name</b>	<b>Part Number</b>	<b>Page Number</b>
Multi-Purpose Dividers.....	DV050610CM(POSITION)(OPT).....	30
Multi-Purpose Hook for Pegboard or SW.....	LUQMPHOOKPSW.....	40
Multi-Purpose Hook for Wire Grid.....	LUQMPHOOKWG.....	40
Multi-Purpose Tray.....	LUQMPTRAY.....	40
Multi-Purpose Tray Divider.....	LUQMPTRAYDIV.....	40
Multi-Purpose Wire Divider.....	WDMP-(OPT).....	30
<b>O</b>		
Open End Basket Divider.....	DV02(ND)(NH).....	33
Open End Baskets.....	BS01(ND)(NW).....	33
<b>P</b>		
Peg Basket.....	PEGB.....	36
Peg Hook-Single Prong.....	PH(NL)-PACK.....	38
Pegboard Hook.....	ACPH123268.....	34
<b>Q</b>		
Queuing Bowl.....	QB700922.....	26
Queuing Bowl Divider.....	QBDIV12-04.....	26
Queuing Bowl Insert.....	QB1700997.....	26
Queuing Systems Sign Holder and Stem.....	QSSH(SIZE).....	26
<b>S</b>		
Scanner Peg Hook.....	SPH(TYPE)-(NL)-10.....	38
Shelf Extender Basket.....	SEB.....	39
Shelf Extender Basket Displayer.....	SEBD.....	39
Shelf Retainer.....	SR-(NW)-(NH)-10.....	31
Single Tier Magazine Displayer.....	DMT-(NW)-(ND)-(OPT).....	29
Slatwall Bracket.....	AC999SWB(FIN1).....	34
Slatwall Frame Display.....	FAB(SIZE).....	39
Slatwall Mount Wire DVD Shelf.....	SMWVDVS-(NW).....	37
Slatwall Peg Hook.....	SWPH-(NL)-(PACK).....	38
Slatwall Scanner Hook.....	SWLHSH-(NL)-(PACK).....	38
Slatwall Shelf.....	SWSH-(NW)(ND)(OPT).....	35
Standard Upper Shelf.....	SUS-(NW)06.....	23, 27
Standard Upper Shelf with Radius Front.....	SUSRF(TYPE)-(NW)(ND).....	10
Standard Upper with Multi Radius Concave Front.....	SUSMRF(C)(NW)(ND)-(ID).....	10
Straight-in Insertion Three Position Shelf.....	STP(NW)06.....	27
Straight-in Upper Shelf with Wooden Top.....	STPSWT(NW)(ND).....	9
<b>T</b>		
Thin Profile Shelf, Light-Duty.....	PLSTTSLD(NW)(ND).....	10
Tube Line Metal Shelf.....	TLMS(OPT1)(NW)(ND).....	47
Tube Line Pull-Out Demo Display.....	TLUPODD(NW)1016(OPT).....	47
Tube Line Universal Pull-Out Demo Display End Panel.....	TLUPODDEP(NH)1016(OPT).....	47
<b>U</b>		
Upright Shelf Bookshelf Back.....	UTSBKSB(NW)(ND)-08-7.....	28
Upright Shelf.....	UTSN(DEGREE)-(NW)-(NH)4.....	28
Upright Shelf Wire Divider.....	UTSWD-(NH)(ND)-(TYPE).....	30
Utility Baskets.....	WUB-(NW)(ND)(NH)-(TYPE).....	37
<b>V</b>		
Various Type Display.....	VTD(TYPE)(NL)(ND).....	28
<b>1</b>		
Vesta® Fixture Base Drawer.....	UFBD(NW)(ND)(NH).....	46
Vesta® Fixture Display Table.....	UFDT(NW)(ND)(NH)(OPT1)(OPT2).....	45
Vesta® Fixture Divider Panel Upright Slotted End Frame.....	UFDPUSEF(NW)(NH)(OPT).....	45
Vesta® Fixture Gondola Core.....	UFGC(NW)(NH)(OPT1)(OPT2).....	44
Vesta® Fixture Gondola Core with Offset Slots.....	UFGCOS(NW)(NH)(OPT1)(OPT2).....	45
Vesta® Fixture Shelf.....	UFUSA(OPT1)-(NW)(ND)(OPT1).....	46
Vesta® Fixture Upright Divider Panel, End & Int.....	UFDP(U)(OPT1)(NW)(NH)(OPT2).....	44
Vesta® Fixture Wall Divider Panel Upright End & Int.....	UFWDPU(OPT1)(NW)(NH)(OPT2).....	44
<b>W</b>		
Waterfall Displayers for Slatwall.....	S(TYPE).....	11
Waterfall Displayers for Wire Grid.....	WG(TYPE).....	11
Wire Shelf Sign Holder, 3-Position.....	WSSH3P-(NW)(ND).....	12
Wire Binning Cross Divider.....	MC-(NH)(NW)-10-(OPT).....	31
Wire Binning Divider.....	PMD-(NH)(ND)-1-(OPT).....	31
Wire Binning Front.....	PMF-(NH)(NW)-1-(OPT).....	31
Wire Candy Rack.....	WCANR-(NW).....	35
Wire Candy Shelf.....	WCANS(NW)(ND)-TAG.....	35
Wire Grid Brochure Holder.....	WBH-(NL)-WG.....	39
Wire Grid Peg Hook.....	WGP(NL)-(PACK).....	38
Wire Grid Scanner Hook.....	RGS-(NL)-(PACK).....	38
Wire S Hook.....	ACPH123265.....	34
Wire Snack Shelf.....	WCANSSW(NL)(ND)-(OPT).....	36
<b>Z</b>		
Z Bracket.....	AC123141(HAND)Z.....	34



**madix**<sup>TM</sup>  
 INNOVATION ON DISPLAY

**Innovation on Display Since 1956**



[www.madixinc.com](http://www.madixinc.com)

**Texas** 500 Airport Road, Terrell, TX 75160 | 1010 S. Bolton, Jacksonville, TX 75766  
**Alabama** 20984 Alabama Hwy. 9, Goodwater, AL 35072 | 500 Madix Drive, Eclectic, AL 36024