

**1**

It is recommended to first snap a chalk line on the floor as a guide to align and square fixtures. Before anchors are secured to floor, fixtures must be square. Uprights must be parallel to each other for proper shelf fit. Shelves may be used to find parallel of uprights, but may need to be removed in order to properly secure anchors.

**2**

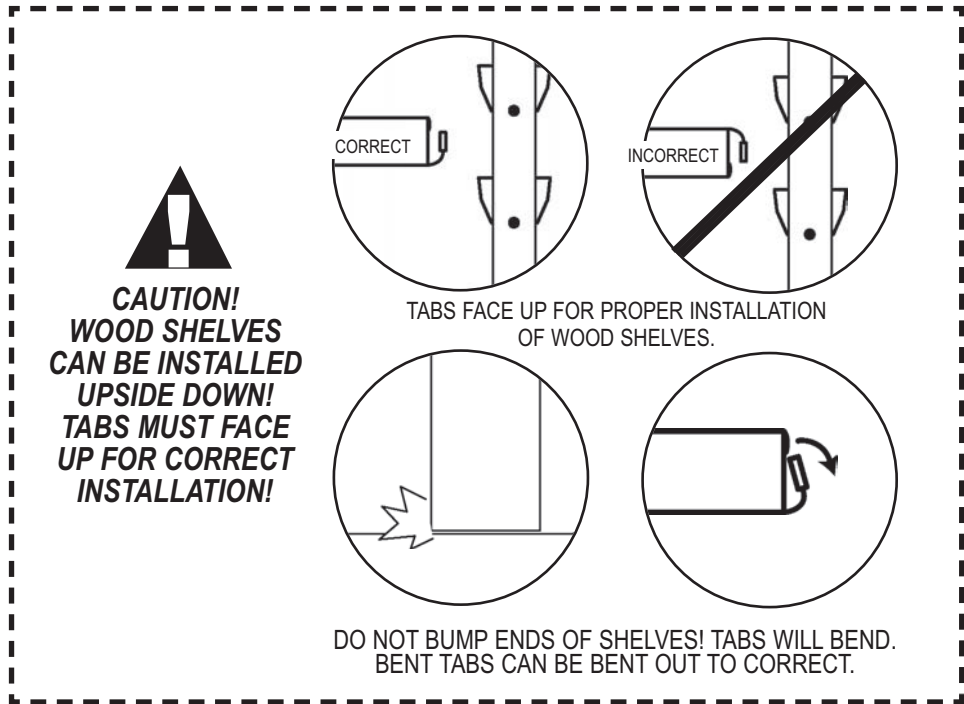
While an assistant holds two uprights approximately the shelf width apart, install the lowest shelf. The tabs on the ends of the shelf engage the slots in the uprights. Install a second shelf approximately waist high to stabilize the section.

**3**

Cross bracing should be installed onto the back of the section so that the brace is equally spaced from top to bottom on the upright. Sections 72" and above require (2) cross braces, also equally spaced. See the following page for cross brace configuration.

**4**

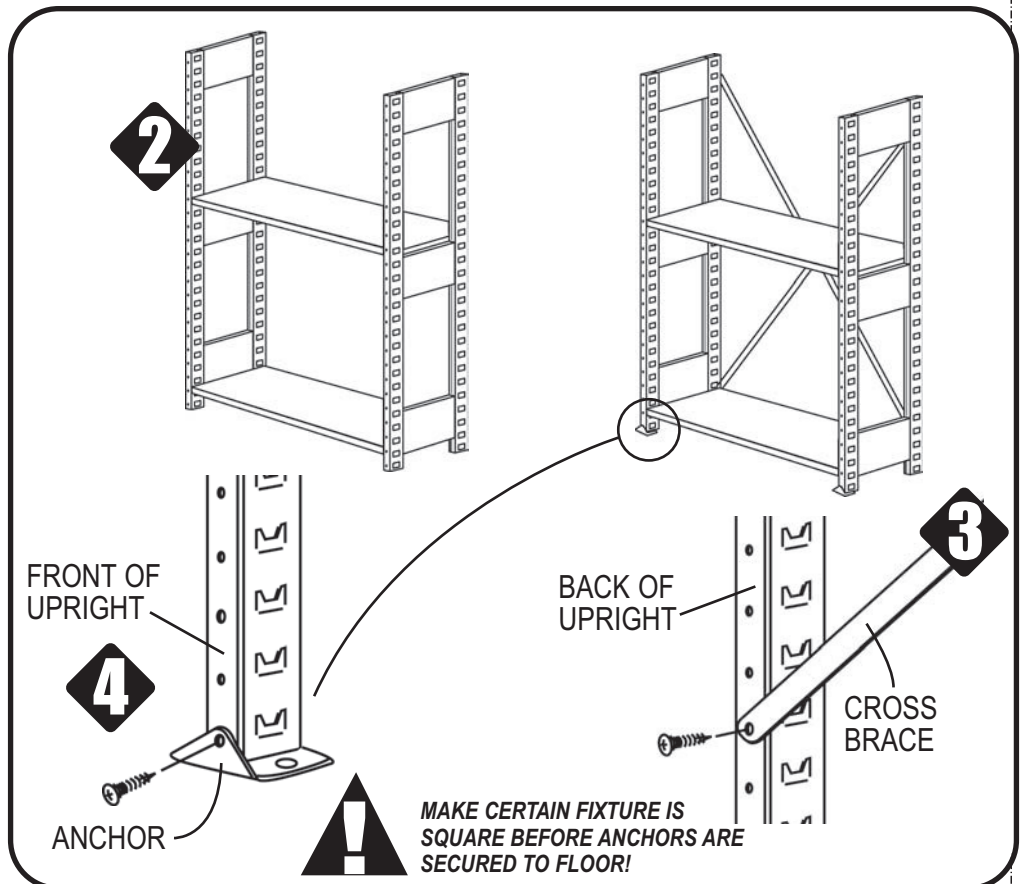
Anchors must be attached to the bottom of all uprights. Install anchors as shown. **NOTE: Fixture must be square as stated in step 1!** Lowest shelf may need to be removed to secure anchors to floor. Installer to provide hardware to anchor unit to floor. Hardware varies depending on type of floor.



**CAUTION!**  
**WOOD SHELVES CAN BE INSTALLED UPSIDE DOWN! TABS MUST FACE UP FOR CORRECT INSTALLATION!**

TABS FACE UP FOR PROPER INSTALLATION OF WOOD SHELVES.

DO NOT BUMP ENDS OF SHELVES! TABS WILL BEND. BENT TABS CAN BE BENT OUT TO CORRECT.



**2**

**3**

**4**

FRONT OF UPRIGHT

BACK OF UPRIGHT

CROSS BRACE

ANCHOR

**MAKE CERTAIN FIXTURE IS SQUARE BEFORE ANCHORS ARE SECURED TO FLOOR!**

# LIGHT DUTY STEEL SHELVING - SLD

### INSTALLATION INSTRUCTION

**!** Note cross bracing guide-lines.

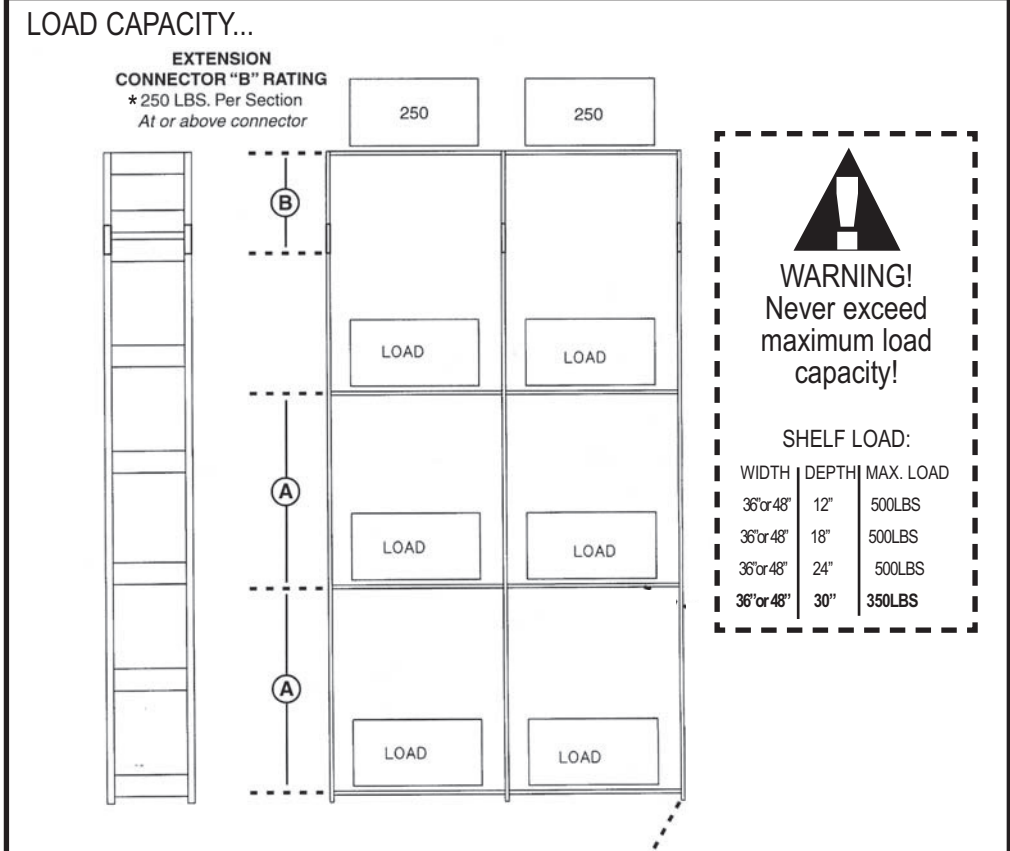
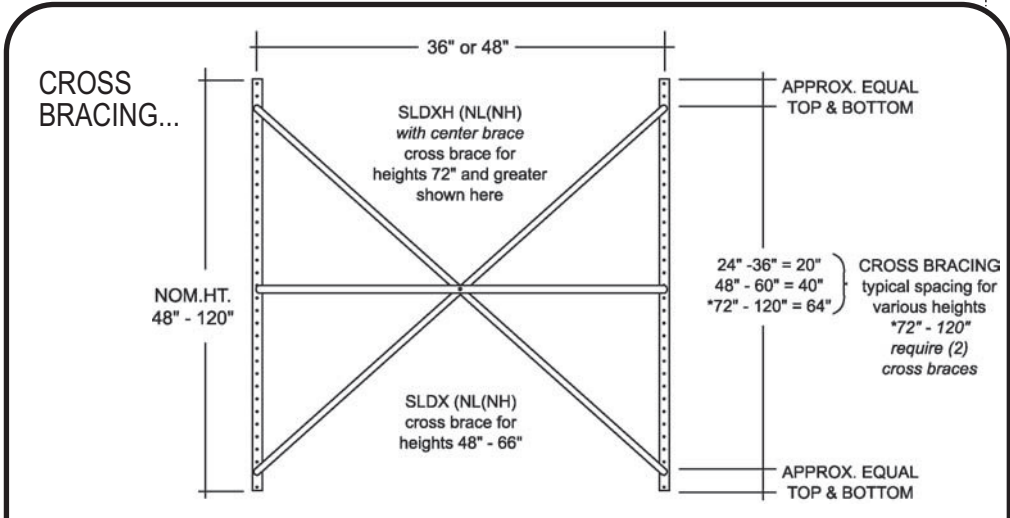
**!**

**WARNING!**  
Cross braces must be installed as specified to prevent fixture failure!

**NOTE:**  
As indicated below, cross braces are required on the first and last section of runs and, at a minimum, on every fourth section between. Back to back runs can share braces if uprights are connected.

- 1
- 2
- 3
- 4
- 5
- 6
- 7
- 8
- 9
- 10

**!** Note load capacity guide-lines.



**!**

**WARNING!**  
Never exceed maximum load capacity!

**SHELF LOAD:**

WIDTH	DEPTH	MAX. LOAD
36" or 48"	12"	500LBS
36" or 48"	18"	500LBS
36" or 48"	24"	500LBS
36" or 48"	30"	350LBS

VERTICAL SHELF SPACING "A"	* SECTION CAPACITY WITH 12" - 24" DEPTH SHELVES	* SECTION CAPACITY WITH 30" DEEP SHELVES
30"	3000 LBS.	2100 LBS
45"	2375 LBS.	1660 LBS
60"	1450 LBS.	1015 LBS

**!** **FIXTURE MUST BE ANCHORED. SEE PAGE 1.**

### OPTIONAL ACCESSORIES...

**5**

Before adding the top shelf to a section, any accessories needed should be added. The following assemblies are available:

ASY-971 for SLDUC  
(extension upright connector)

ASY-967 for SLDWM12  
(wire mount)

ASY1-055 for SLDHRO  
(outside mount hang rod)

This assembly includes the inside mount hang rod. Install hang rod brackets at the exact same height on opposing uprights. Insert one end of the rod into the slots in one bracket, then into the slots on the opposing bracket.

**6**

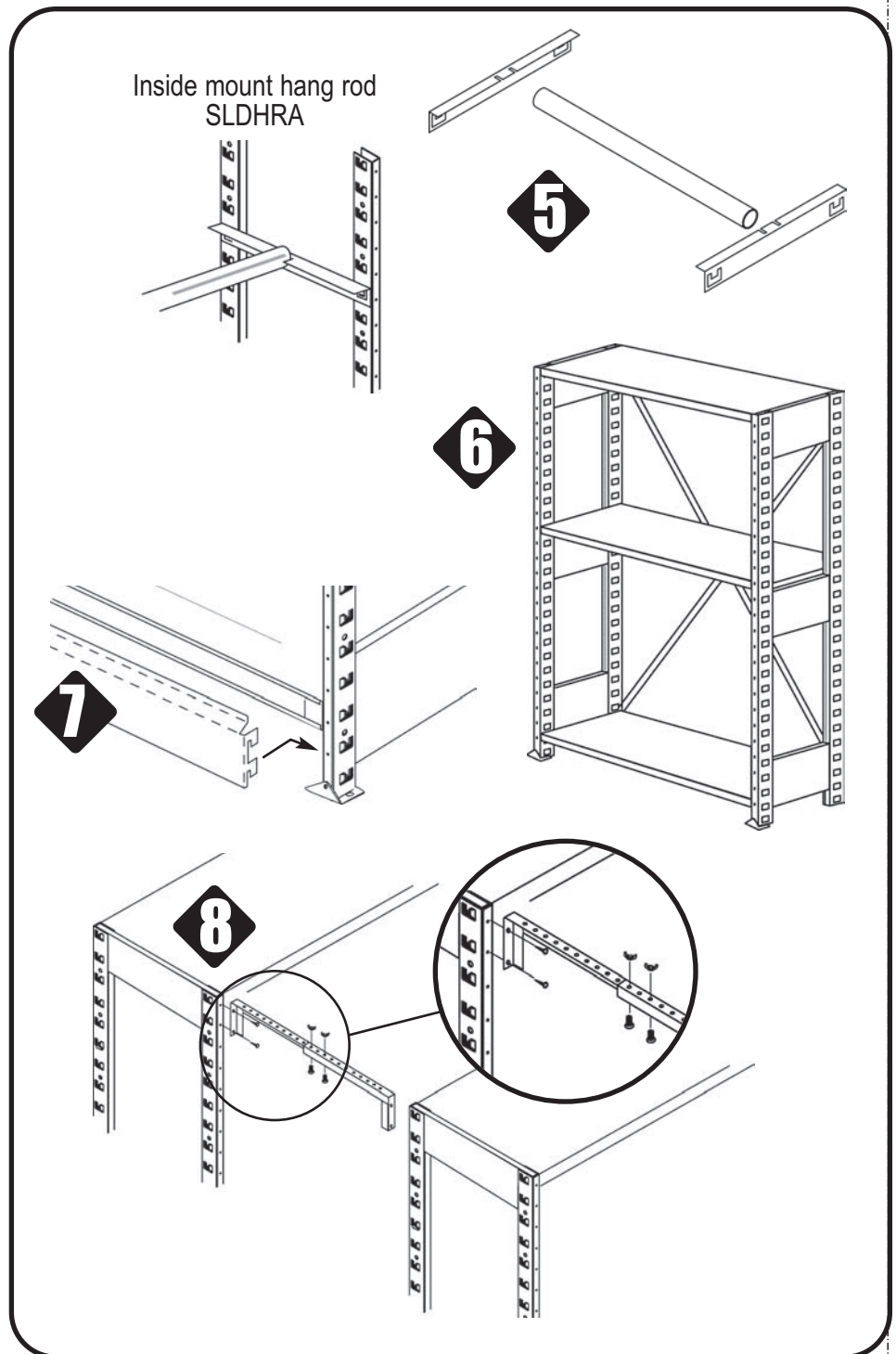
Install the top shelf at the upper most available slots to finish the section.

**7**

If kickplates are to be used, lift the front of the bottom shelves enough to clear the kickplates while engaging the tabs on both ends of the kickplate into the upright slots.

**8**

If adjustable spanners are to be used, secure spanner halves together at proper length with provided wing nuts and screws. Secure spanners through holes in uprights with provided self tapping screws.



OPTIONAL ACCESSORIES...  
WOOD BACK PANEL

**1**

**WOOD BACK PANELS (SLDBW)...**

**Note! Cross bracing must be in place before wood back panels are installed!** Install lower brackets (SLDBWHD6) first. Use 1/2" self drilling screws provided. Check position of back against uprights and mount lower brackets in location that will flush back panels with top of uprights.

**2**

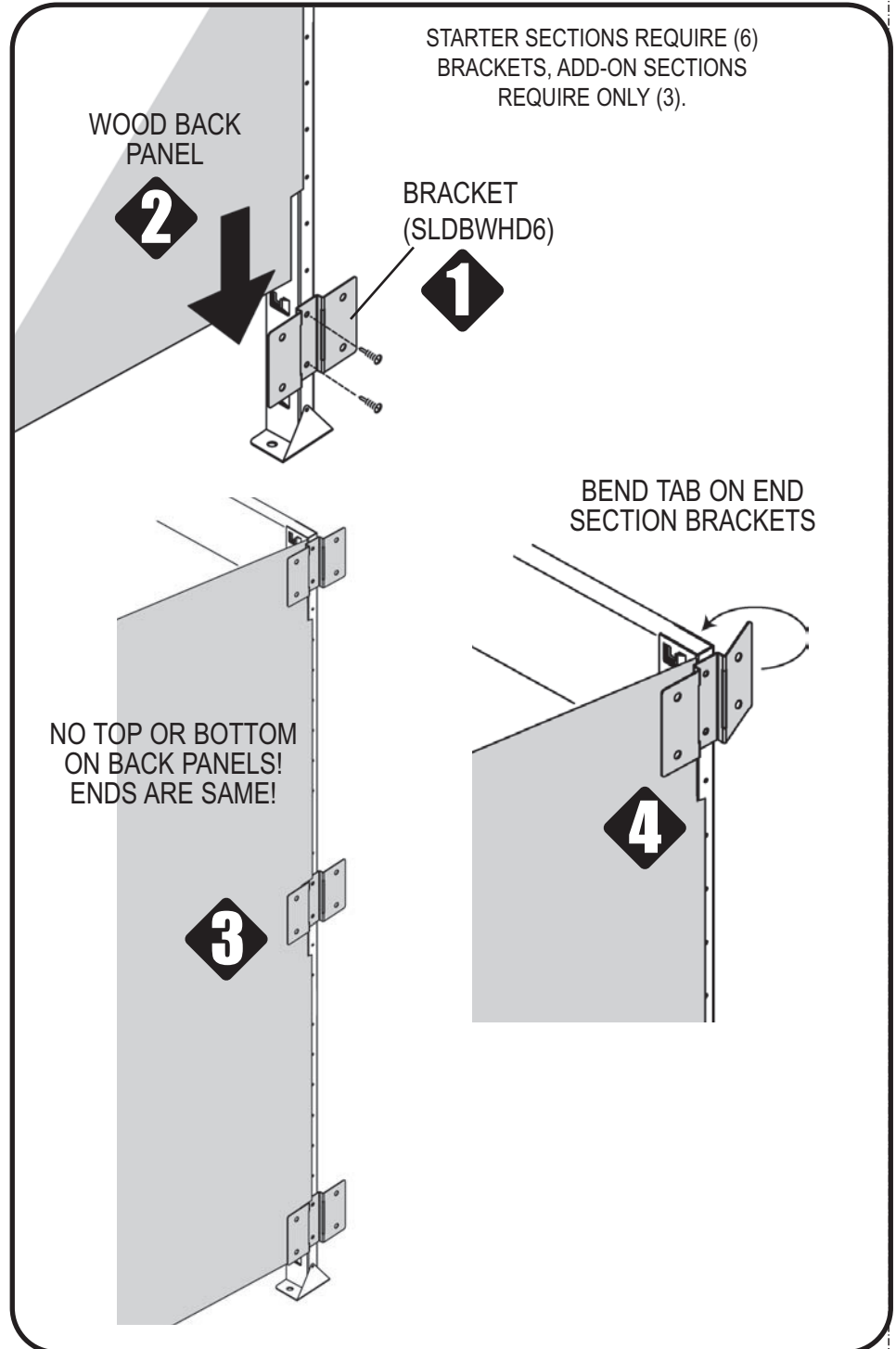
Once lower brackets are secure, slide back panel in place to rest on brackets. **Note: There is no top or bottom of back panels, they are the same on both ends.**

**3**

Secure remaining brackets to uprights (3 per upright)

**4**

On end sections, the unused extruding tab of the brackets may be easily bent out of the way as shown.



P.O. BOX 729 / TERRELL, TEXAS 75160 / 972.563.5744 / 800.776.2349  
P.O. BOX 177 / GOODWATER, ALABAMA 35072 / 256.839.6354 / 800.633.6282

**REV 02**

REV#	ECN#	REVISION	BY	DATE	REV#	ECN#	REVISION	BY	DATE
01	5*1356	load rates on 30" shlf chg	AJB						
02	5*7339	ADDED ORDER CODE TO PG 4	CAB	11/23/09					