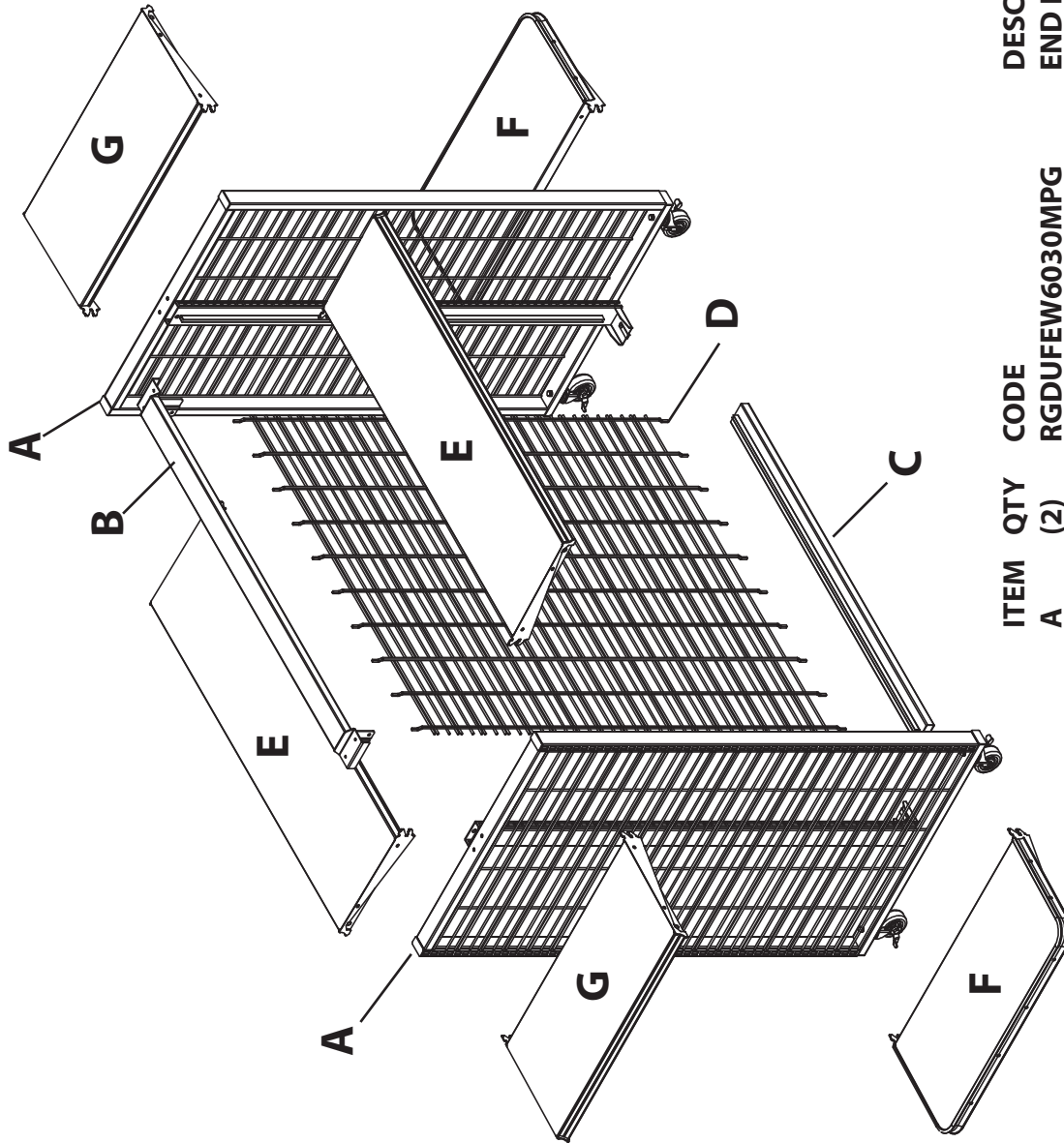


ASY FOR HOLIDAY DISPLAY



Tools needed:

- (1) 3/16 ALLEN WRENCH
(IF NOT ALREADY PROVIDED)

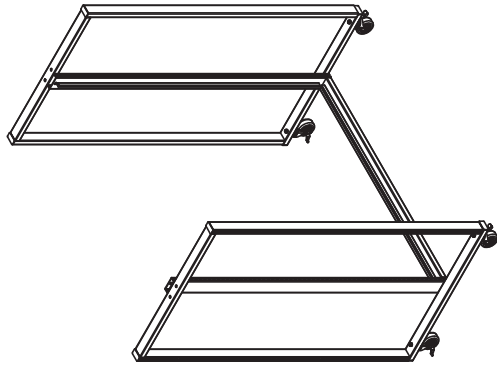


ITEM	QTY	CODE	DESC.
A	(2)	RGDUFEW6030MPG	END FRAME
B	(1)	RGDSTTT48	TOP TUBE
C	(1)	RGDSTBT-48	BOTTOM TUBE
D	(1)	RGDMPGB-4860	WIRE GRID BACK
E	(8)	SUS-414	UPPER SHELF
F	(2)	WAUS-3014	WRAP AROUND SHELF
G	(6)	SUS-3014	UPPER SHELF



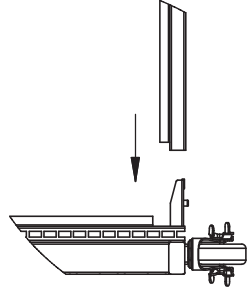
P.O. BOX 729 TERRELL, TEXAS 75160
972-563-5574 / 800-776-2349

STEP 1:



STEP 1:

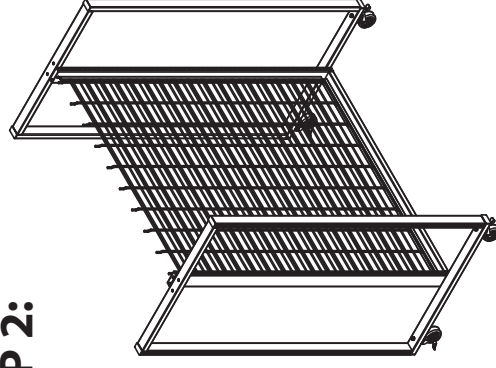
STAND ONE OF THE END FRAMES VERTICAL AND SLIDE BOTTOM TUBE OVER INSERT UNTIL SNAP BUTTON LOCKS INTO PLACE. ATTACH THE OTHER END FRAME TO THE BOTTOM TUBE IN THE SAME MANNER.



STEP 2:

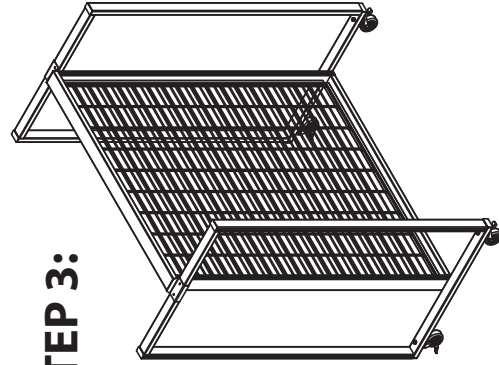
SLIDE WIRE GRID BACK INSIDE SINGLE TRACK UNTIL THE BACK RESTS ON THE BOTTOM TUBE. MAKE SURE THAT THE BACK RESTS INSIDE THE SINGLE TRACK IN THE BOTTOM TUBE AS WELL
DO NOT DROP BACK INTO PLACE

STEP 2:



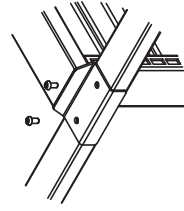
BACKS ON END FRAMES REMOVED FOR CLARITY

STEP 3:



STEP 3:

PLACE TOP TUBE WITH GRID BACK INSIDE SINGLE TRACK. WITH THE 3/16 ALLEN WRENCH PROVIDED ATTACH THE TUBE TO THE END FRAMES USING THE SCREWS PROVIDED WITH THE END FRAMES.



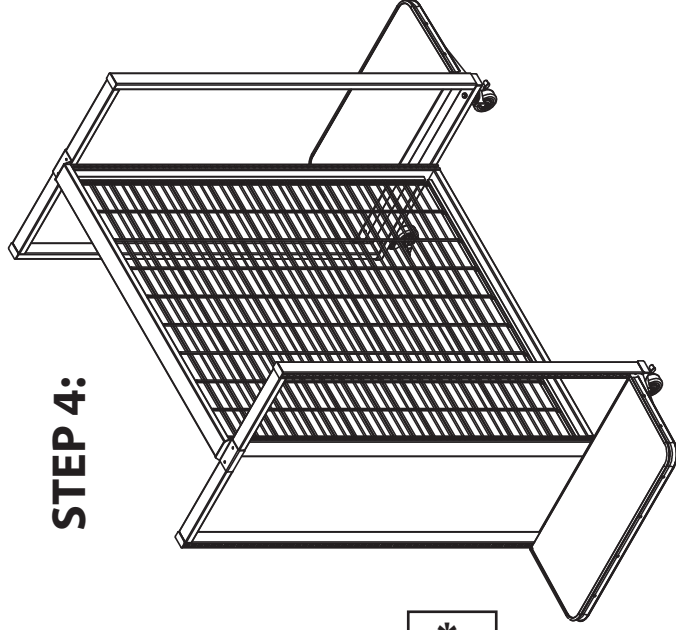
madixTM
STORE FIXTURES

P.O. BOX 729 TERRELL, TEXAS 75160
972-563-5574 / 800-776-2349

ASY1-435 PAGE 2 OF 3 REV.00
08/06/07 CAB ECM#50000003748

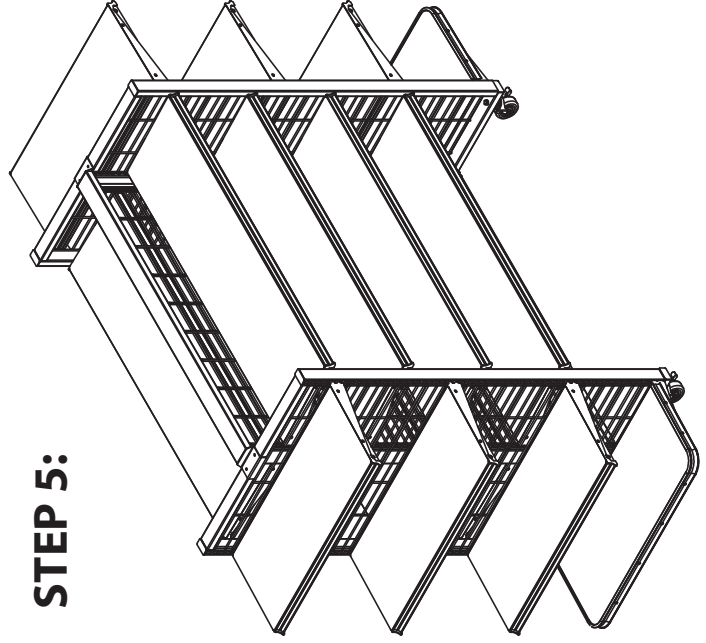
STEP 4:
PLACE THE WAUS SHELVES AT THE BOTTOM OF THE UPRIGHTS ON THE END FRAMES.

BACKS ON END FRAMES REMOVED FOR CLARITY



STEP 4:

STEP 5:



STEP 5:
PLACE REMAINING SHELVES IN THE LOCATION DESIRED.

ASSEMBLY COMPLETE

madixTM
STORE FIXTURES

P.O. BOX 729 TERRELL, TEXAS 75160
972-563-5574 / 800-776-2349

ASY1-435 PAGE3 OF 3 REV.00
08/06/07 CAB ECM#50000003748