

MOBILE GONDOLA & END DECK

ASY1-293

INSTALLATION INSTRUCTIONS

GONDOLAS...

1 Assemble base shoes to uprights as shown in ASY-046. Do this for all sections in runs to receive mobile gondola assemblies.

2 Locate casters and install to caster runners. Slide caster into the retainer plate welded on the runners until it meets stop. Use a screwdriver in the hole of the tab and bend the tab out sufficiently to trap caster.



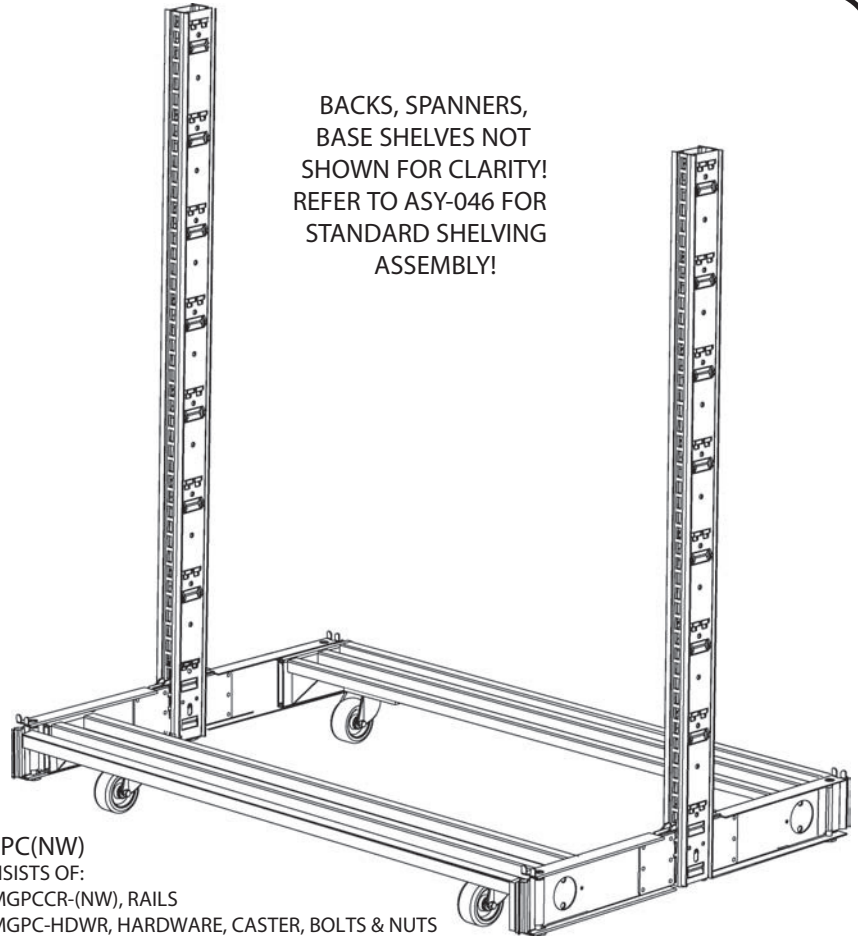
WARNING!

NEVER EXCEED LOAD CAPACITY! FOR 36" TO 48" WIDE GONDOLA SECTIONS, EQUALLY DISTRIBUTED WEIGHT WILL BE NO MORE THAN 1000LBS! WITH END FRAMES TOTAL WEIGHT CAPACITY IS REDUCED TO 900LBS!. FOR NW 60" WIDE GONDOLAS EQUALLY DISTRIBUTED WEIGHT WILL BE NO MORE THAN 750LBS! WITH END FRAMES TOTAL CAPACITY IS REDUCED TO 650LBS! WEIGHT ON END FRAMES SHOULD NEVER EXCEED 300LBS EACH OR 600LBS TOTAL BOTH SIDES!!!!

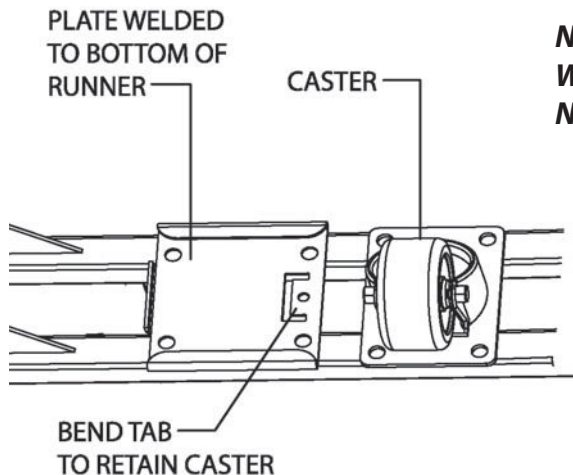
INDIVIDUAL SHELVES SHALL NEVER EXCEED LOAD CAPACITY. SEE ASY-046 FOR SHELF CAPACITY

The more weight applied on Mobile Gondola the more resistant in rolling the Gondola.

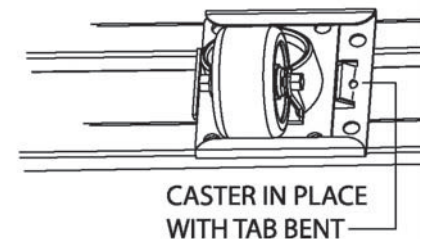
BACKS, SPANNERS, BASE SHELVES NOT SHOWN FOR CLARITY! REFER TO ASY-046 FOR STANDARD SHELVING ASSEMBLY!



MGPC(NW)
CONSISTS OF:
(2) MGPCCR-(NW), RAILS
(1) MGPC-HDWR, HARDWARE, CASTER, BOLTS & NUTS
(4) MGPCSP, SPACER PLATE



NOTE: THIS PRODUCT WILL NOT WORK ON BASE SHOES BELOW NOM DEPTH OF 12



P.O. BOX 729 / TERRELL, TEXAS 75160 / 972.563.5744 / 800.776.2349
P.O. BOX 177 / GOODWATER, ALABAMA 35072 / 205.839.6354 / 800.633.6282

REV 05

REV#	ECN#	REVISION	BY	DATE	REV#	ECN#	REVISION	BY	DATE
04	5*13242	ADDED BECGM TO PAGE 2	CAB	07/26/13	05	5-13701	UPDATED TO SHOW LATEST VERSION OF 1055-198, AND NOTES ABOUT HOLES AND CASTER INSTALLATION	SAM	10/24/13
03	5*10331	ADDED NOTES, UPDATED HARDWARE	CAB	10/27/11					

MOBILE GONDOLA & END DECK

PAGE 2 OF 3

ASY1-293

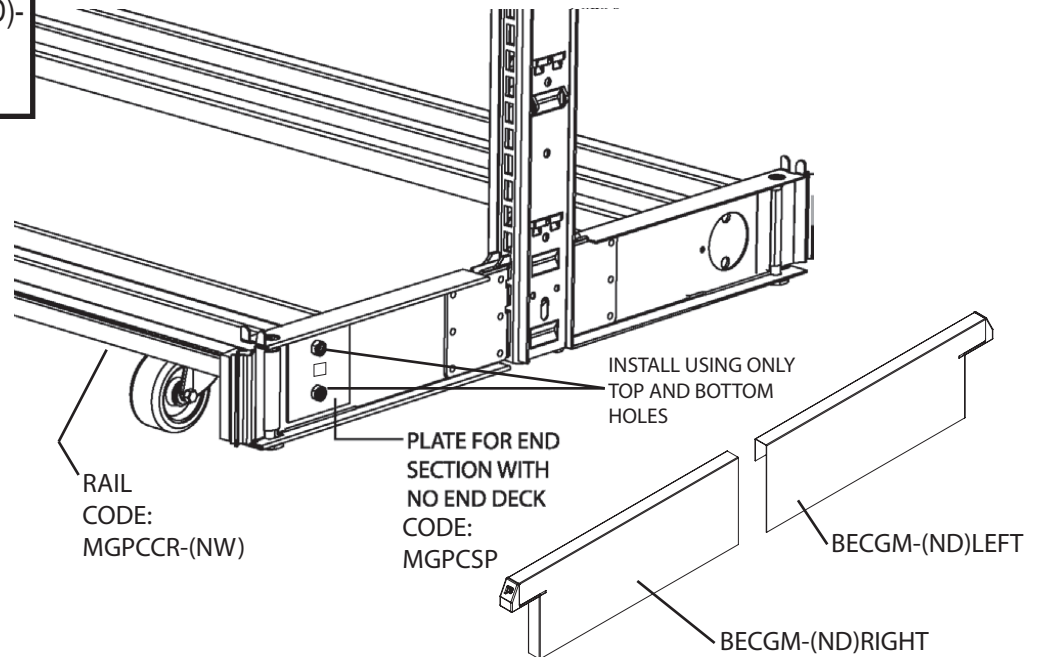
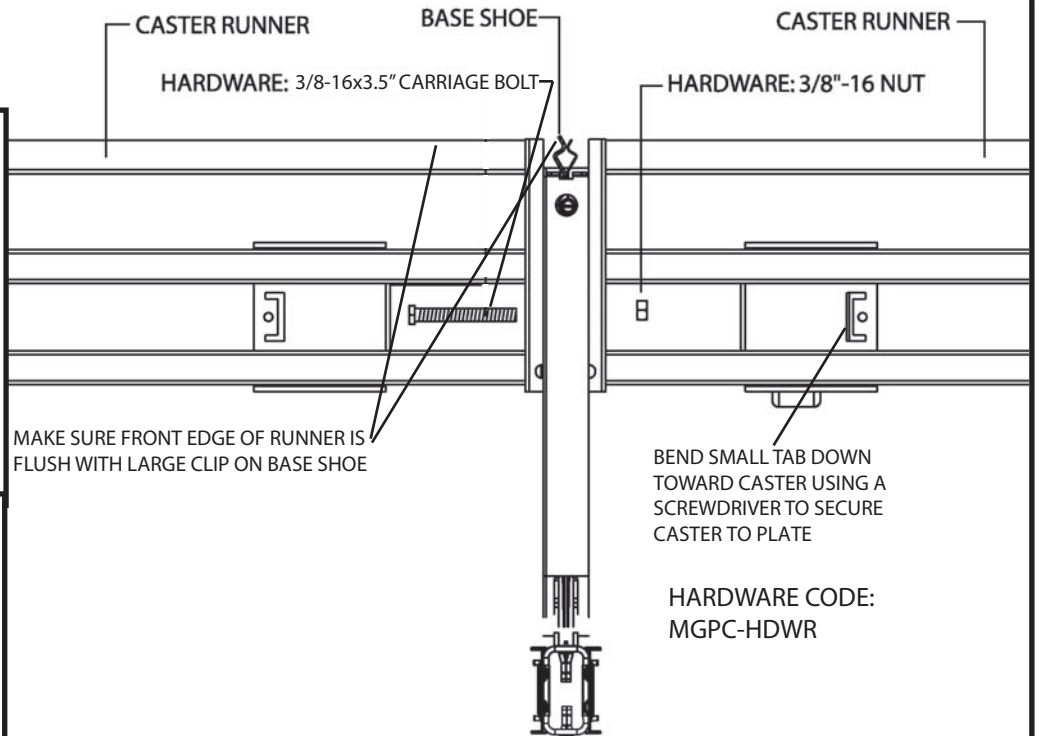
INSTALLATION INSTRUCTIONS

3

Assistance will be required to bolt the caster runner assemblies to the base shoes. Stand one base shoe/upright assembly and position a caster runner on each side of both base shoes, (4) in all. Using the provide 3/8"-16x3.5" bolts, secure through both caster runners, sandwiching the base shoe between. Tighten securely, but do not over tighten!

4

Repeat step 3 until run is standing. On end base shoes where End Decks WILL NOT be used, use the plate for end sections (MGSP) as shown. Install spanners, kickplates, backs and base shelves in accordance with ASY-046. Use base end covers BECGM-(ND)-(HAND) to cap of sections that do not use end decks.



madix[™]
STORE FIXTURES

P.O. BOX 729 / TERRELL, TEXAS 75160 / 972.563.5744 / 800.776.2349
P.O. BOX 177 / GOODWATER, ALABAMA 35072 / 205.839.6354 / 800.633.6282

REV
05

MOBILE GONDOLA & END DECK

ASY1-293

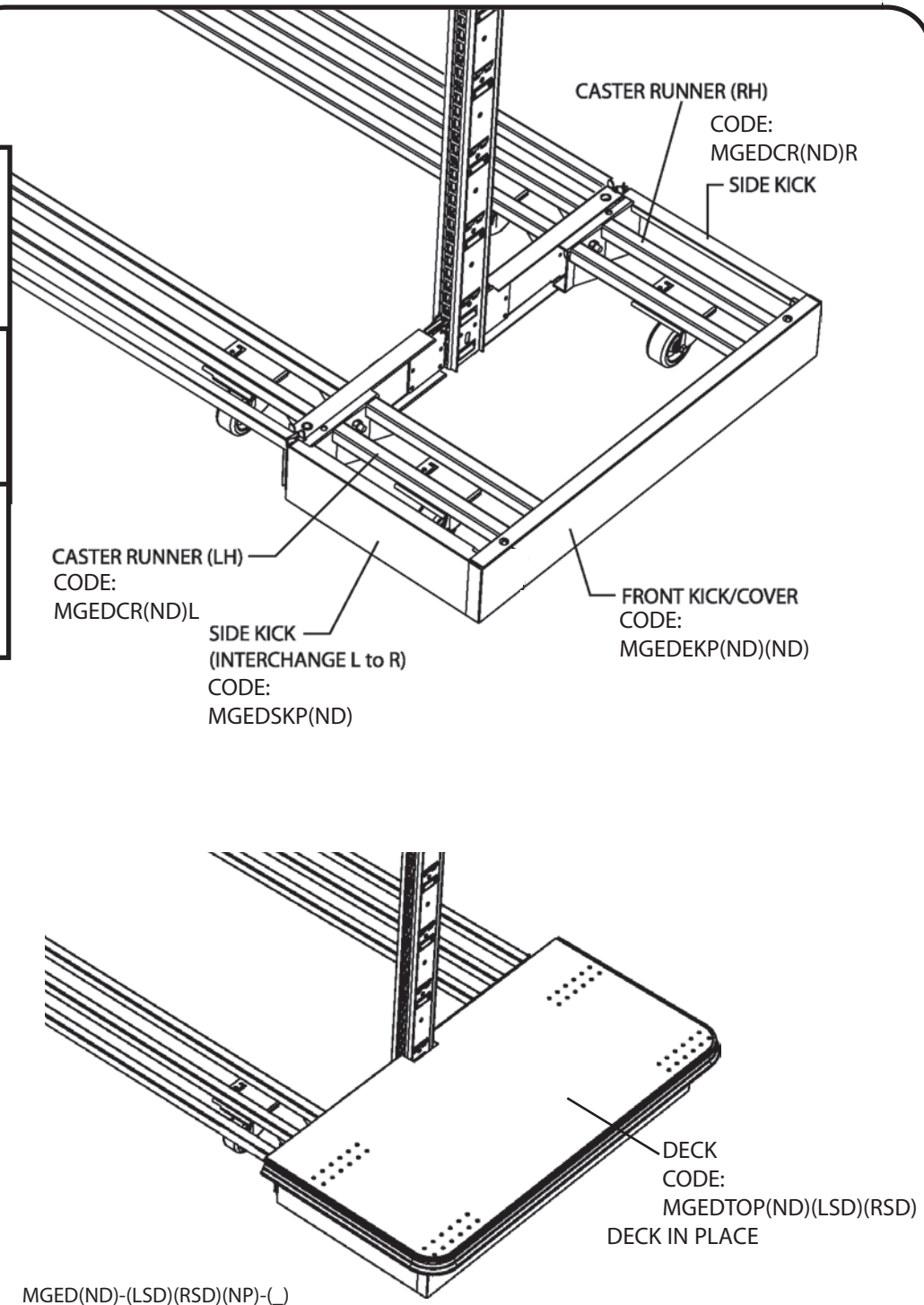
INSTALLATION INSTRUCTIONS

END DECKS...

1 Install caster runners in the same manner as gondola runners. *Note: End Deck caster runners are LH & RH. See position of kickplate/cover mount holes in diagram.*

2 Snap side kicks in place into base shoes. Front kickplate/cover caps over side kicks.

3 Position deck on top of assembly. Rails on underside of deck fit to outside of side kicks.



WARNING!
NEVER EXCEED LOAD CAPACITY!
MGED END DECKS SHOULD NEVER EXCEED 300 LBS EACH!

NEVER EXCEED TOTAL WEIGHT OF 600LBS FOR BOTH END DECKS COMBINED!

